



Manuals.plus /

› **Bosch** /

› Bosch 800 Series B36CL80SNS Refrigerator User Manual

Bosch B36CL80SNS

Bosch 800 Series B36CL80SNS Refrigerator User Manual

Model: B36CL80SNS

1. INTRODUCTION

This manual provides comprehensive instructions for the installation, operation, and maintenance of your Bosch 800 Series B36CL80SNS 36 Inch Smart Freestanding Counter Depth 4 Door French Door Refrigerator. Please read this manual thoroughly before using your appliance to ensure safe and efficient operation. Keep this manual for future reference.

2. IMPORTANT SAFETY INFORMATION

Always follow basic safety precautions when using this appliance to reduce the risk of fire, electric shock, or injury to persons.

- Read all instructions before using the refrigerator.
- This appliance must be properly installed and located in accordance with the Installation Instructions before it is used.
- Connect to a properly grounded outlet only. Refer to the 'Electrical Connection' section for details.
- Never clean refrigerator parts with flammable fluids. These fumes can create a fire hazard or explosion.
- Do not store or use gasoline or other flammable vapors and liquids in the vicinity of this or any other appliance.
- Keep ventilation openings, in the appliance enclosure or in the built-in structure, clear of obstruction.
- Do not use mechanical devices or other means to accelerate the defrosting process, other than those recommended by the manufacturer.
- Do not damage the refrigerant circuit.
- Do not use electrical appliances inside the food storage compartments of the appliance, unless they are of the type recommended by the manufacturer.

3. SETUP AND INSTALLATION

3.1 Unpacking

Carefully remove all packaging materials. Ensure no parts are missing or damaged. Keep packaging materials away from children.

3.2 Placement and Leveling

Place the refrigerator on a flat, stable surface. Ensure adequate clearance around the appliance for proper ventilation and door opening. Level the refrigerator using the adjustable feet to prevent vibrations and ensure proper door alignment.

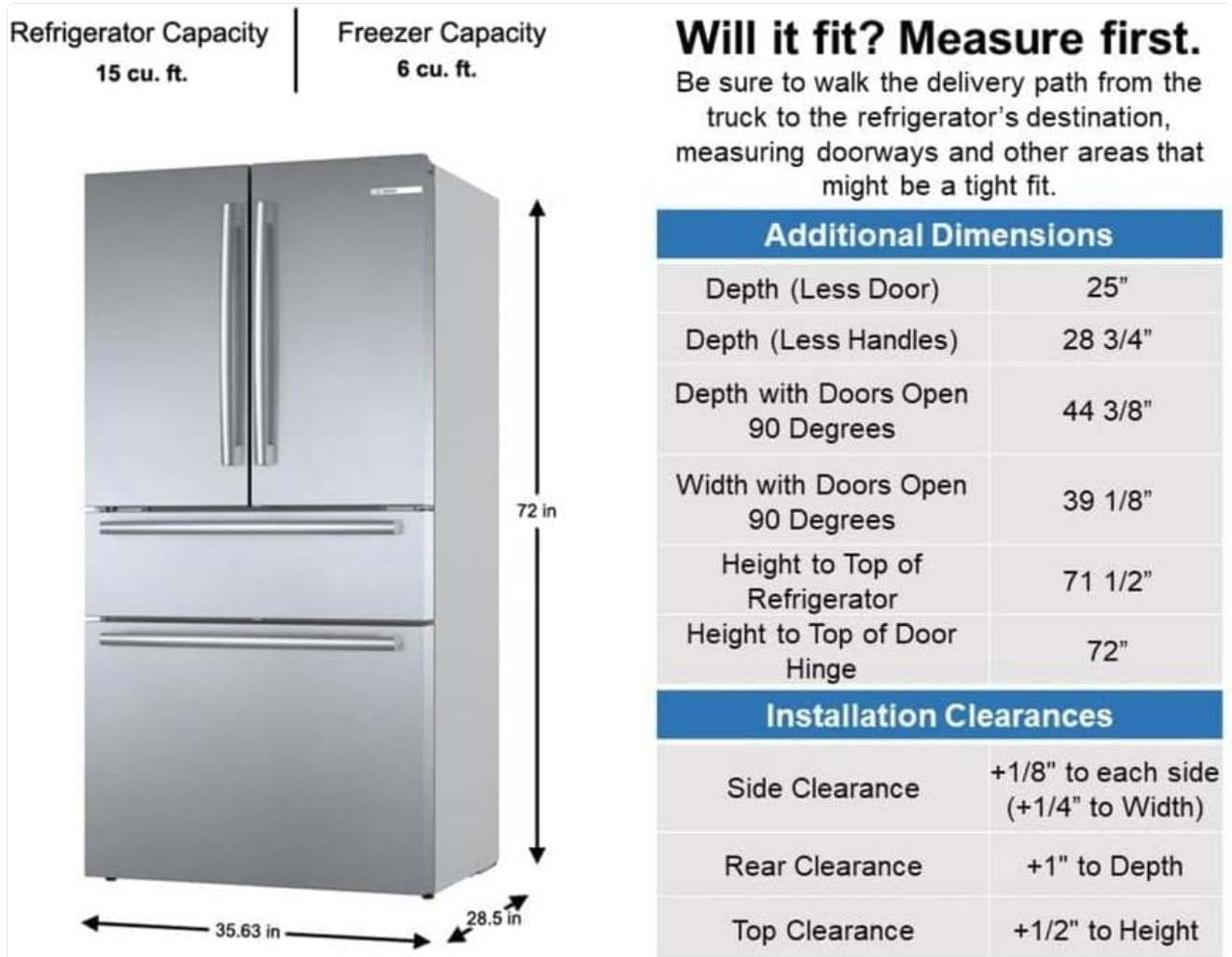


Figure 3.2.1: Refrigerator dimensions and required installation clearances. This diagram illustrates the overall height, width, and depth of the refrigerator, along with specific measurements for door opening angles and recommended clearances from surrounding cabinetry or walls to ensure proper function and access.

3.3 Electrical Connection

Connect the refrigerator to a dedicated, grounded 120 Volt, 60 Hz AC outlet. Do not use extension cords or adapter plugs. Ensure the electrical circuit is protected by a fuse or circuit breaker.



Figure 3.3.1: The Bosch 800 Series refrigerator seamlessly integrated into a contemporary kitchen setting, demonstrating its counter-depth design and freestanding installation.

4. OPERATING YOUR REFRIGERATOR

4.1 Control Panel Overview

The control panel is located inside the refrigerator compartment, typically at the top. It allows you to adjust temperature settings, activate special functions, and monitor the appliance status.



Figure 4.1.1: A detailed view of the refrigerator's internal control panel, displaying digital temperature readouts for both the refrigerator and freezer compartments, along with various function buttons for settings like SuperCool, SuperFreeze, and Vacation mode.

4.2 Temperature Settings

Use the control panel to set the desired temperature for the refrigerator and freezer compartments. The recommended temperature for the refrigerator is 37°F (3°C) and for the freezer is 0°F (-18°C).

4.3 Special Features

4.3.1 VitaFreshPro™

The VitaFreshPro™ drawer provides optimal storage conditions for fruits and vegetables, extending their freshness. It automatically adjusts temperature and humidity based on the food type selected.



Figure 4.3.1.1: The VitaFreshPro™ drawer, designed to preserve the freshness of produce, shown with various fruits and vegetables stored inside. The drawer features a dedicated control panel for selecting optimal humidity and temperature settings.

4.3.2 Internal Water Dispenser and Ice Maker

Your refrigerator is equipped with an internal water dispenser and an automatic ice maker. Ensure the water supply line is properly connected and the water filter is installed for clean, filtered water and ice.



Figure 4.3.2.1: A view of the internal ice maker and water dispenser, located within the freezer drawer. This image shows the ice bucket filled with ice cubes and the water dispenser nozzle, providing convenient access to filtered water and ice.



Figure 4.3.2.2: The Bosch refrigerator with its French doors wide open, showcasing a well-organized interior filled with various food items, demonstrating the spaciousness and effective lighting of the compartments.

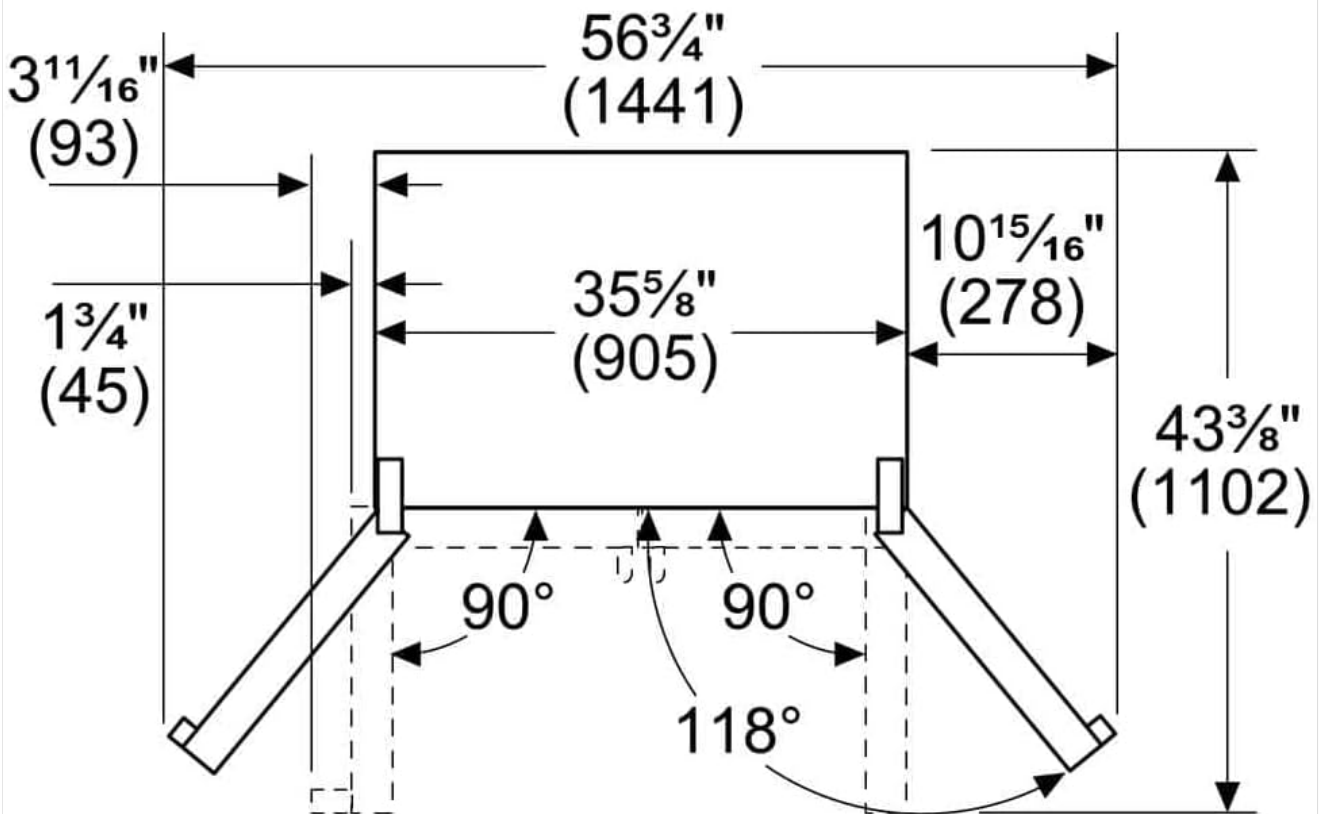


Figure 4.3.2.3: An interior view of the Bosch refrigerator with its French doors open, displaying the empty shelves, door bins, and drawers, highlighting the flexible storage options and clear visibility within the appliance.



Figure 4.3.2.4: A full front view of the Bosch 800 Series B36CL80SNS refrigerator, showcasing its sleek stainless steel finish, four-door French door design, and bar handles.

measurements in inches (mm)



Drawers can be pulled out with door open to 90° . Drawers can be taken out with door completely opened at 118° .

Figure 4.3.2.5: This diagram provides precise measurements for the refrigerator's door opening angles, indicating that drawers can be pulled out when the door is open to 90 degrees, and fully removed when the door is opened to 118 degrees, crucial for installation and access.

5. CARE AND MAINTENANCE

5.1 Cleaning

- **Interior:** Clean the interior regularly with a solution of mild soap and warm water. Rinse thoroughly and dry.
- **Exterior:** Wipe down stainless steel surfaces with a soft cloth and a stainless steel cleaner. Avoid abrasive cleaners.
- **Door Gaskets:** Clean door gaskets with a mild detergent and warm water to ensure a tight seal.

5.2 Water Filter Replacement

The water filter should be replaced approximately every six months, or when the filter indicator light illuminates on the control panel. Refer to the filter replacement instructions provided with your replacement filter.

5.3 Door Seal Care

Periodically check the door seals for any signs of wear or damage. A damaged seal can lead to inefficient cooling. Clean them regularly to ensure they remain pliable and seal effectively.

6. TROUBLESHOOTING

Before contacting customer service, please refer to the following table for common issues and their solutions.

Problem	Possible Cause	Solution
Refrigerator not cooling	Power supply issue; Temperature setting too high; Door not closed properly; Obstructed vents.	Check power connection and circuit breaker; Adjust temperature setting; Ensure doors are fully closed; Clear any obstructions from vents.
Ice maker not producing ice	Water supply turned off; Clogged water filter; Ice maker switch off; Frozen water line.	Ensure water supply is connected and turned on; Replace water filter; Turn on ice maker switch; Defrost water line if frozen.
Unusual noises	Refrigerator not level; Items vibrating inside; Normal operating sounds.	Level the refrigerator; Rearrange items to prevent rattling; Gurgling, humming, and clicking sounds are normal.
Water dispenser not working	Water supply turned off; Clogged water filter; Frozen water line.	Ensure water supply is connected and turned on; Replace water filter; Defrost water line if frozen.

7. TECHNICAL SPECIFICATIONS

Feature	Specification
Brand	Bosch
Model Number	B36CL80SNS
Capacity	20.5 Cubic Feet
Dimensions (D x W x H)	31.13"D x 35.63"W x 72"H
Item Weight	350 Pounds
Installation Type	Counter-Depth, Freestanding
Form Factor	Freezer Bottom, French Door
Number of Doors	4
Special Features	Water Dispenser
Voltage	120 Volts
Racks	7
Crispers/Drawers	3
Defrost System	Automatic
Door Material Type	Stainless Steel
Shelves	4
Certification	Energy Star

8. WARRANTY AND CUSTOMER SUPPORT

Your Bosch refrigerator comes with a limited warranty. Please refer to the warranty card included with your appliance for specific terms and conditions. For technical assistance, parts, or service, please contact Bosch customer support. Keep your proof of purchase and model number readily available when contacting support. For the most up-to-date contact information, please visit the official Bosch Home Appliances website or refer to the documentation provided with your purchase.