

## Manuals+

[Q & A](#) | [Deep Search](#) | [Upload](#)

manuals.plus /

› [WIMBERLEY](#) /

› [Wimberley AP-620 Replacement Lens Foot Instruction Manual for Sony 200-600 G OSS](#)

## WIMBERLEY AP-620

# Wimberley AP-620 Replacement Lens Foot Instruction Manual

For Sony 200-600 G OSS Lenses



## INTRODUCTION

The Wimberley AP-620 Replacement Lens Foot is designed to replace the factory foot of your Sony 200-600mm f/5.6-6.3 G OSS FE lens. This accessory lowers the center of gravity for optimal balance and integrates a built-in double dovetail, providing Arca-Swiss compatibility. This allows for secure mounting on various tripod heads and quick-release systems.



Image: The Wimberley AP-620 Replacement Lens Foot, a black, anodized aluminum component designed to replace the standard lens foot.

## WHAT'S IN THE BOX

---

Your Wimberley AP-620 package includes the following items:

- Wimberley AP-620 Lens Foot
- Allen keys (hex keys) for installation
- Mounting screws (1/4-20 screw, set screw, optional safety stop screws)



Image: The Wimberley AP-620 lens foot shown with the accompanying Allen keys and various mounting screws.

## SPECIFICATIONS

---

- **Model:** AP-620
- **Item Model Number:** D175651
- **Brand:** WIMBERLEY
- **Compatible Lenses:** Sony 200-600mm f/5.6-6.3 G OSS FE Lenses
- **Material:** Anodized 6061 Aluminum, stainless steel fasteners
- **Weight:** Approximately 5.9 ounces (167 grams)
- **Mounting Style:** Permanent-style foot, Arca-Swiss compatible double dovetail
- **UPC:** 753182835990

## COMPATIBILITY

---

The AP-620 lens foot is specifically designed for the Sony 200-600mm f/5.6-6.3 G OSS FE lens. Its Arca-Swiss style double dovetail ensures compatibility with a wide range of Arca-Swiss quick-release clamps and tripod heads.

For other Sony lenses, Wimberley offers various replacement plates and feet. Refer to the table below for recommendations:

SONY LENSES	Plate Recommendations for: WIMBERLEY HEAD (WH-200) And Non-Gimbal Heads (Ball Heads, etc.)	Plate Recommendations for: SIDEKICK (SK-100)	Plate Recommendations for: Sidemount Wimberley (WH-200-S)
28-135 f/4 FE PZ G OSS	P-20 + BS-100*	P-20 + BS-100*	P-20 + BS-100*
70-200 f/2.8 G SSM I & II	P-20 + BS-100*	P-20 + BS-100*	P-20 + BS-100*
70-200 f/2.8 FE GM OSS	P-10 or AP-611	P-10 or AP-611	P-10 or AP-611
70-200 f/4 G	P-20 + BS-100*	P-20 + BS-100*	P-20 + BS-100*
70-400 f/4-5.6 G SSM	P-20 + BS-100*	P-20 + BS-100*	P-20 + BS-100*
70-400 f/4-5.6 G SSM II	P-20 + BS-100*	P-20 + BS-100*	P-20 + BS-100*
100-400 f/4.5-5.6 FE GM OSS	P-20 or AP-610	P-20 or AP-610	P-20 or AP-610
200-600 f/4.5-5.6 FE G OSS	P-35 or AP-620	P-35 or AP-620	P-35 or AP-620
300 f/2.8 G SSM I & II	P-30 + BS-100*	P-30 + BS-100*	P-30 + BS-100*
400 f/2.8 FE GM OSS	P-40 or AP-609	AP-609	AP-609
500 f/4.0 G	P-40	P-40	P-40
600 f/4.0 FE GM OSS	P-35 or AP-616	P-35 or AP-616	P-35 or AP-616

\*Optional BS-100 bushing recommended for anti-twist on factory feet that have (1) 1/4 and (1) 3/8 tripod mounting holes

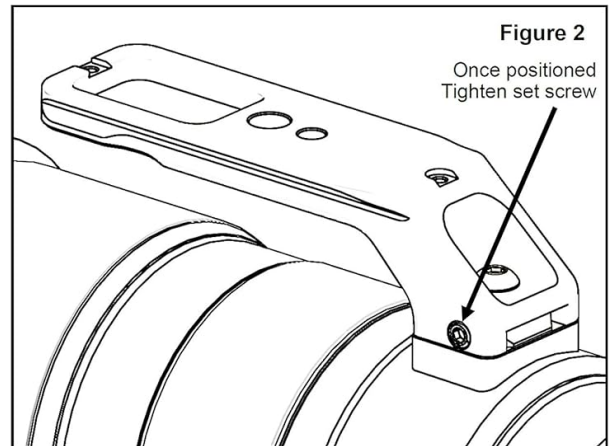
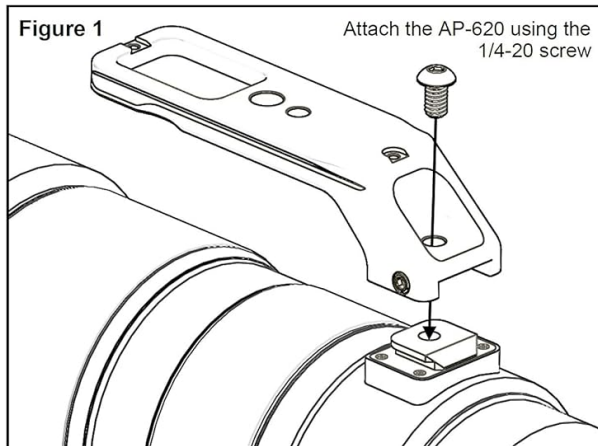
Image: A table detailing recommended Wimberley plates and heads (WH-200, SIDEKICK SK-100, WH-200-S) for various Sony lenses, including the 200-600 f/5.6 G OSS with AP-620. This image also contains diagrams for flash brackets and safety stop screws.

## INSTALLATION INSTRUCTIONS

Follow these steps to replace the factory lens foot with the Wimberley AP-620:

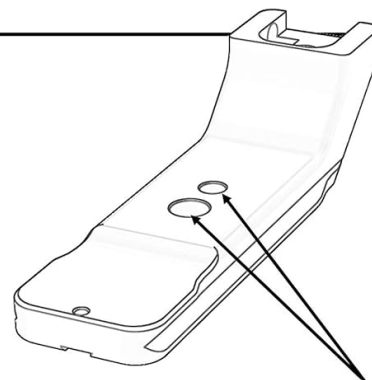
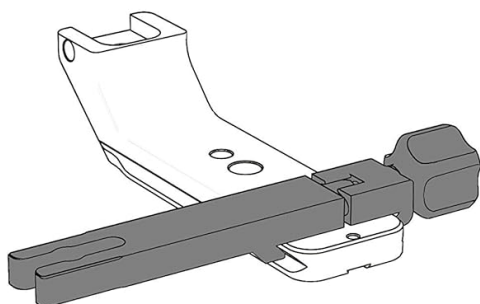
- 1. Remove the Factory Foot:** Carefully remove the existing lens foot from your Sony 200-600mm lens. Refer to your lens's manual for specific instructions if needed.
- 2. Attach the AP-620:** Align the AP-620 replacement foot with the mounting points on your lens. Use the provided 1/4-20 screw to secure the foot.

### — Installation Instructions —



### — Using Flash Brackets —

Wimberley replacement feet have a double dovetail cross-section. The upper dovetail allows you to attach Wimberley Flash Brackets as well as other 3rd party quick-release style brackets.



#### Using the AP-620 without using a quick-release

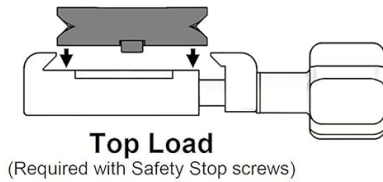
The 3/8 and 1/4 inch holes in the middle section of the plate can be used to attach the foot directly to the threaded stud of a monopod or other lens support equipment, without needing a quick-release clamp.

Image: Figure 1 illustrates attaching the AP-620 lens foot to the lens collar using the 1/4-20 screw.

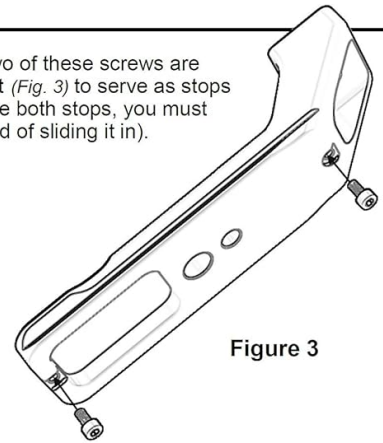
- 3. Position and Tighten:** Once the foot is positioned correctly, tighten the set screw using the appropriate Allen key. Ensure the foot is firmly attached and does not wobble.

### — Using the Optional Safety-Stop Screws —

Your Wimberley foot comes with two safety stop screws and a matching 2.5mm hex key. Two of these screws are intended to be screwed into the small bottom threaded holes in the front and back of the foot (Fig. 3) to serve as stops that prevent the foot from accidentally sliding out of the quick-release clamp. If you opt to use both stops, you must open the jaws of the quick-release clamp wide enough to load your lens from the top (instead of sliding it in).



Top Loading is less convenient, but you can be certain that your lens will not slide out of the clamp.



**Safety Stop Channels** We recommend using clamps with safety stop channels. These channels allow a full range of forward and backward motion but will not let the plate slip out if the clamp is inadvertently loosened.

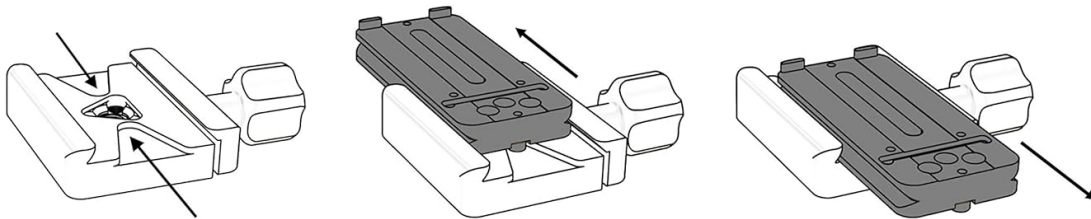


Image: Figure 2 demonstrates tightening the set screw after the AP-620 lens foot has been positioned on the lens.



Image: A diagram comparing the Sony 200-600mm lens with the AP-620 replacement foot installed (top) versus the lens with its factory foot and reversed hood (bottom), highlighting the lower profile of the AP-620.

## OPERATING INSTRUCTIONS

### Using Flash Brackets

The Wimberley replacement feet feature a double dovetail cross-section. The upper dovetail allows you to attach Wimberley Flash Brackets as well as other 3rd party quick-release style brackets.

### Using the AP-620 without a Quick-Release

The 3/8 inch and 1/4 inch holes in the middle section of the plate can be used to attach the foot directly to the threaded stud of a monopod or other lens support equipment, without needing a quick-release clamp.

## Using the Optional Safety-Stop Screws

Your Wimberley foot comes with two safety stop screws and a matching 2.5mm hex key. These screws are intended to be screwed into the small bottom threaded holes in the front and back of the foot to serve as stops that prevent the foot from accidentally sliding out of a quick-release clamp. If you opt to use both stops, you must open the jaws of the quick-release clamp wide enough to load your lens from the top (instead of sliding it in).

SONY LENSES	Plate Recommendations for: WIMBERLEY HEAD (WH-200) And Non-Gimbal Heads (Ball Heads, etc.)	Plate Recommendations for: SIDEKICK (SK-100)	Plate Recommendations for: Sidemount Wimberley (WH-200-S)
28-135 f/4 FE PZ G OSS	P-20 + BS-100*	P-20 + BS-100*	P-20 + BS-100*
70-200 f/2.8 G SSM I & II	P-20 + BS-100*	P-20 + BS-100*	P-20 + BS-100*
70-200 f/2.8 FE GM OSS	P-10 or AP-611	P-10 or AP-611	P-10 or AP-611
70-200 f/4 G	P-20 + BS-100*	P-20 + BS-100*	P-20 + BS-100*
70-400 f/4-5.6 G SSM	P-20 + BS-100*	P-20 + BS-100*	P-20 + BS-100*
70-400 f/4-5.6 G SSM II	P-20 + BS-100*	P-20 + BS-100*	P-20 + BS-100*
100-400 f/4.5-5.6 FE GM OSS	P-20 or AP-610	P-20 or AP-610	P-20 or AP-610
200-600 f/4.5-5.6 FE G OSS	P-35 or AP-620	P-35 or AP-620	P-35 or AP-620
300 f/2.8 G SSM I & II	P-30 + BS-100*	P-30 + BS-100*	P-30 + BS-100*
400 f/2.8 FE GM OSS	P-40 or AP-609	AP-609	AP-609
500 f/4.0 G	P-40	P-40	P-40
600 f/4.0 FE GM OSS	P-35 or AP-616	P-35 or AP-616	P-35 or AP-616

\*Optional BS-100 bushing recommended for anti-twist on factory feet that have (1) 1/4 and (1) 3/8 tripod mounting holes

Image: Diagrams illustrating the use of flash brackets, direct mounting options, and the function of optional safety-stop screws and safety stop channels. This image also contains a compatibility table for Sony lenses.

**Safety Stop Channels:** We recommend using clamps with safety stop channels. These channels allow a full range of forward and backward motion but will not let the plate slip out if the clamp is inadvertently loosened.

## MAINTENANCE

The Wimberley AP-620 is constructed from anodized aluminum and stainless steel fasteners, designed for durability. To ensure its longevity and proper function:

- Keep the foot clean from dust and debris. Wipe with a soft, dry cloth.
- Periodically check all screws for tightness, especially the main mounting screw and set screw, to prevent accidental loosening during use.
- Avoid exposing the foot to harsh chemicals or abrasive materials, which could damage the anodized finish.

## TROUBLESHOOTING

- **Foot feels loose after installation:** Ensure the 1/4-20 screw and the set screw are fully tightened using the provided Allen keys. Recheck alignment.
- **Difficulty sliding into quick-release clamp:** Verify that the clamp is fully open. If safety stop screws are installed, the clamp must be opened wide enough for top-loading. Ensure no debris is obstructing the dovetail.
- **Lens balance issues:** The AP-620 is designed to improve balance. Ensure your camera body and any accessories are properly mounted and adjusted on your tripod head for optimal balance.

## WARRANTY AND SUPPORT

For warranty information or technical support, please refer to the official Wimberley website or contact their customer service directly. Details regarding product registration and warranty claims can typically be found on the manufacturer's official channels.

Wimberley products are known for their quality and are manufactured in the USA. For further assistance, please visit [www.wimberley.com](http://www.wimberley.com).

