

[Manuals.plus](#) /

> [Joy Pebble](#) /

> Joy Pebble 36 Inch Electric Fireplace Insert User Manual

Joy Pebble RFH-3601LC

Joy Pebble 36 Inch Electric Fireplace Insert User Manual

Model: RFH-3601LC

1. INTRODUCTION

Thank you for choosing the Joy Pebble 36 Inch Electric Fireplace Insert. This appliance is designed to provide supplemental heating and a realistic flame effect for your living space. It can be installed as a recessed unit or wall-mounted, offering flexibility to suit various room designs. Please read this manual thoroughly before installation and operation to ensure safe and efficient use of your electric fireplace.

2. IMPORTANT SAFETY INFORMATION

Always follow basic safety precautions when using electrical appliances to reduce the risk of fire, electric shock, and injury to persons.

- Read all instructions before using this heater.
- This appliance operates on a 120V AC power supply. Do not hardwire the unit; always use the provided plug.
- Do not operate any heater with a damaged cord or plug, or after the heater malfunctions or has been dropped or damaged in any manner.
- Keep combustible materials, such as furniture, pillows, bedding, papers, clothes, and curtains at least 3 feet (0.9 m) from the front of the heater and away from the sides and rear.
- To prevent a possible fire, do not block air intakes or exhaust in any manner. Do not use on soft surfaces, like a bed, where openings may become blocked.
- The fireplace is equipped with an automatic overheat protection system that will shut off the unit if it reaches an unsafe temperature. If this occurs, unplug the unit, wait 10-15 minutes, and then plug it back in.
- Do not insert or allow foreign objects to enter any ventilation or exhaust opening as this may cause an electric shock or fire, or damage the heater.
- Always unplug the heater when not in use.

3. PACKAGE CONTENTS

Carefully unpack all components and ensure you have received all items listed below. If any parts are missing or damaged,

contact customer service.

- Electric Fireplace Insert
- Remote Control
- Crystal Glass Stone (for flame bed decoration)
- Mounting Hardware (screws, wall anchors, mounting bracket)
- User Manual



Figure 3.1: Included components and hardware.

4. PRODUCT SPECIFICATIONS

Specification	Detail
Brand	Joy Pebble
Model Name	RFH-3601LC

Product Dimensions (D x W x H)	3.86" x 36" x 18.11"
Power Source	Corded Electric (120V)
Material	Glass, Metal, Tempered Glass
Installation Type	Wall Mount / Recessed
Heat Output	750W / 1500W (5100 BTU)
Heating Coverage	Up to 400 sq. ft.
Special Features	Adjustable Flame Color/Speed/Brightness, Timer, Remote Control, Touch Screen, Overheat Protection
Item Weight	16.9 Pounds

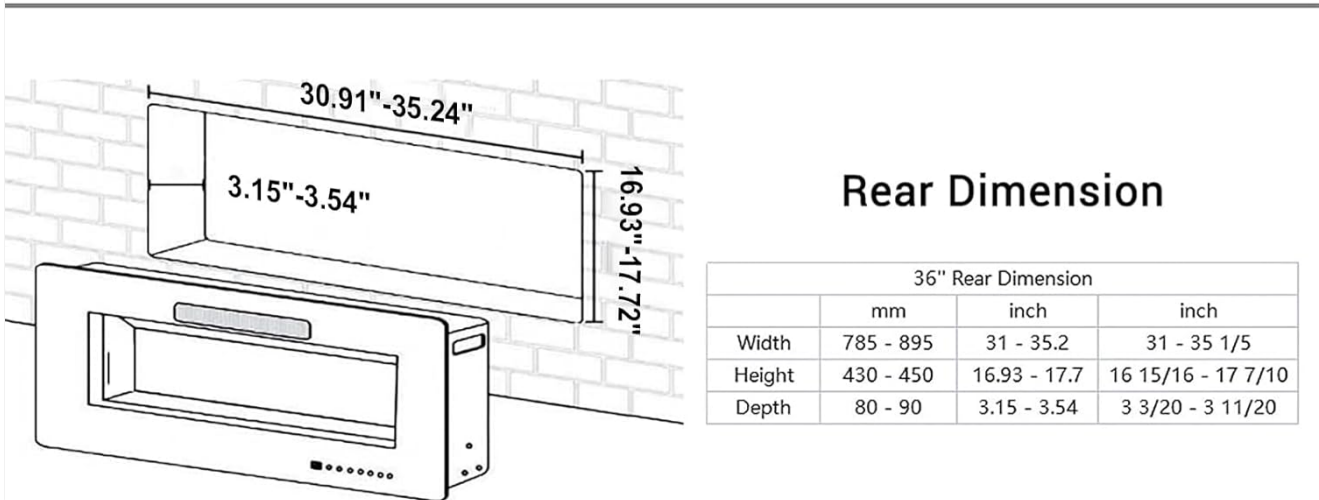


Figure 4.1: Product Dimensions and Recessed Opening Requirements.

5. INSTALLATION (SETUP)

The Joy Pebble electric fireplace offers flexible installation options: it can be recessed into a wall or mounted directly on a wall. Choose the method that best suits your space.

5.1 Wall-Mounted Installation

1. **Choose Location:** Select a suitable wall location away from drapes, furniture, and high-traffic areas. Ensure the wall can support the weight of the fireplace.
2. **Mark Mounting Position:** Hold the mounting bracket against the wall at the desired height and use a pencil to mark the drill holes. Ensure the bracket is level.
3. **Drill Holes:** Drill pilot holes at the marked locations. Insert wall anchors if drilling into drywall.
4. **Attach Mounting Bracket:** Secure the mounting bracket to the wall using the provided screws.
5. **Hang Fireplace:** Carefully lift the fireplace and hook it onto the mounting bracket. Ensure it is securely seated.
6. **Secure Bottom:** Locate the bottom mounting holes on the fireplace and mark their positions on the wall. Drill pilot holes and secure the bottom of the fireplace to the wall with screws.

5.2 Recessed Installation

1. **Prepare Wall Opening:** Create a wall opening with the following dimensions: **Width: 30.91"-35.24"**, **Height: 16.93"-17.72"**, **Depth: 3.15"-3.54"**. Ensure the opening is structurally sound and has access to a 120V power outlet.
2. **Insert Fireplace:** Carefully slide the fireplace into the prepared opening.
3. **Secure Fireplace:** Use the provided screws to secure the fireplace to the wall studs or framing within the opening.



Figure 5.1: Wall-Mounted and Recessed Installation Options.

5.3 Media Installation

Once the fireplace is installed, carefully place the crystal glass stones into the flame bed area. Ensure they are evenly distributed for the best visual effect.

6. OPERATING INSTRUCTIONS

Your Joy Pebble electric fireplace can be operated using the touch screen controls on the unit or the included remote control.

6.1 Control Panel and Remote Control Overview



Figure 6.1: Fireplace Control Panel and Remote Control.

6.2 Basic Functions

- **Power On/Off:** Press the **Power** button on the remote or touch panel to turn the unit on or off.
- **Heater Control:** Press the **Heater** button to cycle between 750W (low heat) and 1500W (high heat) settings. The heater can operate independently of the flame effect.
- **Flame Color:** Use the **Color A** and **Color B** buttons to change the flame and flame bed colors. There are 12 distinct color modes available.
- **Flame Speed:** Press the **Flame Speed** button to adjust the speed of the flame effect. There are 5 speed levels (U1-U5).
- **Flame Brightness (Dimmer):** Use the **Dimmer** button to adjust the brightness of the flame effect. There are 5 brightness levels (L1-L5).
- **Timer:** Press the **Timer** button to set an automatic shut-off timer from 1 to 8 hours.



750/1500W Electric Fireplace Heater



Figure 6.2: Overview of Fireplace Features.



Figure 6.3: 12 Flame Bed Color Options (Crystal).



Figure 6.4: 5 Flame Speed Levels.

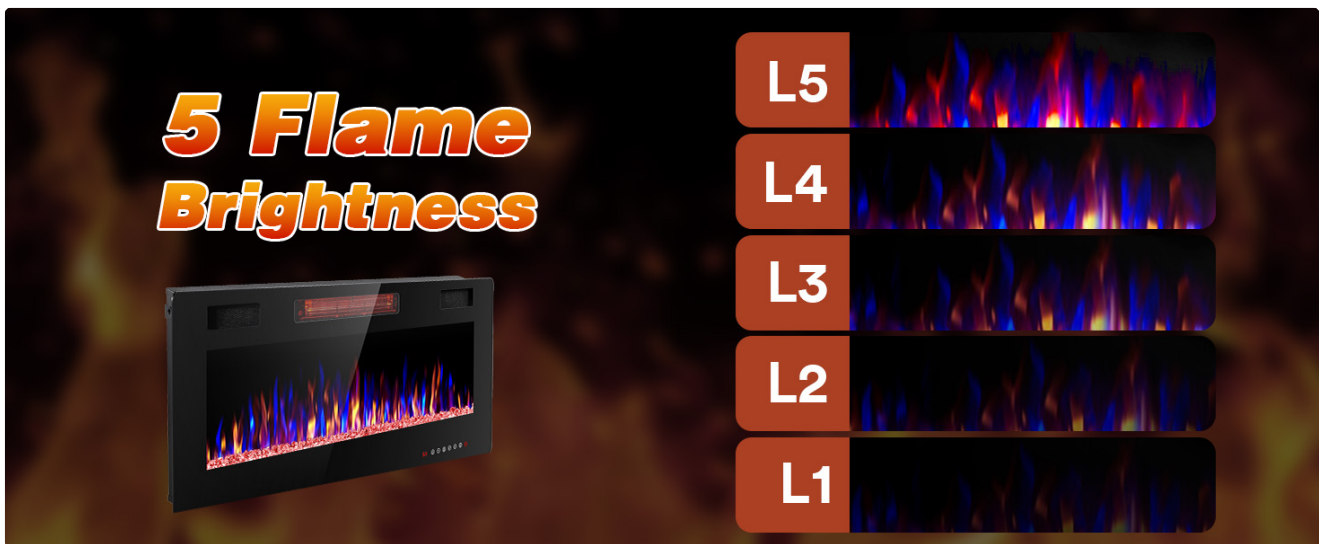


Figure 6.5: 5 Flame Brightness Levels.

6.3 Sleep Mode

The fireplace operates with minimal noise in sleep mode, similar to white noise, which can contribute to a more restful environment.

7. MAINTENANCE

Regular maintenance ensures the longevity and optimal performance of your electric fireplace.

- **Cleaning:** Always unplug the unit before cleaning. Use a soft, damp cloth to wipe the exterior surfaces. Do not use abrasive cleaners or sprays.
- **Glass Panel:** Clean the glass panel with a soft cloth and a glass cleaner. Do not scratch the surface.
- **Air Vents:** Periodically check the air inlet and outlet vents for dust or obstructions. Use a vacuum cleaner with a brush attachment to gently clear any debris. Ensure vents are clear for proper heat dissipation.
- **Storage:** If storing the fireplace for an extended period, unplug it and store it in a dry, dust-free location.



Figure 7.1: Air Inlet and Outlet Locations.

8. TROUBLESHOOTING

If you encounter issues with your fireplace, refer to the following common problems and solutions:

Problem	Possible Cause	Solution
Fireplace does not turn on.	No power, tripped circuit breaker, loose plug.	Ensure the unit is plugged into a working 120V outlet. Check your household circuit breaker. Try a different outlet.
No heat output.	Heater function not activated, overheat protection engaged.	Press the Heater button on the remote or control panel. If the unit recently shut off, unplug it for 10-15 minutes to reset the overheat protection. Ensure air vents are not blocked.
Flame effect not working.	Flame function not activated, LED issue.	Ensure the unit is powered on. If the heater works but not the flame, contact customer support.
Remote control not working.	Dead batteries, obstruction, remote out of range.	Replace batteries in the remote. Ensure there are no obstructions between the remote and the fireplace sensor. Point the remote directly at the fireplace.



Figure 8.1: Overheating Protection Feature.

If you continue to experience problems, please contact Joy Pebble customer service.

9. WARRANTY AND CUSTOMER SUPPORT

Joy Pebble is committed to providing premium products and thoughtful service. For any questions or concerns regarding your electric fireplace, please do not hesitate to contact our customer service team. We will endeavor to resolve any issues as quickly as possible.

Please refer to your purchase documentation or the Joy Pebble official website for specific warranty details and contact information.