

## Durablowl SH3001-RH

# Durablowl SH3001-RH Gas Fireplace WiFi Smart Home Remote Control

## INSTRUCTION MANUAL

<a href="#">Introduction</a>	<a href="#">What's in the Box</a>	<a href="#">Setup &amp; Installation</a>	<a href="#">Smart Home Integration</a>
<a href="#">Operating Instructions</a>	<a href="#">Troubleshooting</a>	<a href="#">Specifications</a>	<a href="#">Warranty &amp; Support</a>

### 1. Introduction

The Durablowl SH3001-RH is a WiFi-enabled smart home remote control system designed for gas fireplaces with Millivolt valves. It allows you to operate your fireplace, gas valve, or other compatible devices from anywhere, at any time, using the free Smart Life App. This system supports automatic ON/OFF control, timers, and scheduling, and is compatible with popular voice assistants like Amazon Alexa, Google Home, Samsung SmartThings, IFTTT, and Siri for convenient voice control. An extra On/Off transmitter handset is also included for direct control.

This manual provides detailed instructions for the safe and proper installation, setup, and operation of your Durablowl SH3001-RH remote control system. Please read all sections carefully before attempting installation or operation.

### 2. What's in the Box

Your Durablowl SH3001-RH package includes the following components:

- **Controller Box:** The main WiFi-enabled unit, designed with proper heat insulation and protection for core elements.
- **Universal Power Supply Adapter:** cUL listed, 100-240VAC to 5VDC.

- **Power Cord:** Length 3.2 feet.
- **Transmitter Handset:** An extra On/Off remote for direct control.
- **User Manual:** For easy installation and setup.

**Durabl**ow®



Image: Durablowlow SH3001-RH controller box with dimensions (4.13" L x 2.36" W x 0.91" H).



### 3. Setup & Installation

**WARNING:** ONLY qualified electricians or gas technicians with knowledge of gas appliances and gas valves are permitted to install this remote control system. Incorrect wiring installation will damage the gas valve, electronic module of the gas appliance, and the remote receiver. Ensure the main gas supply is turned OFF before beginning installation.

#### 3.1. Wiring for Millivolt Valve Systems

The SH3001-RH is designed for Millivolt gas valves and electronic spark ignition modules found in fireplaces and fire pits. Connect the two wires from the Wi-Fi controller box to the Millivolt gas valve at the TH/TP terminals on the terminal block. Both wires can be connected to either TH or TP terminals as the system operates by closing a circuit.

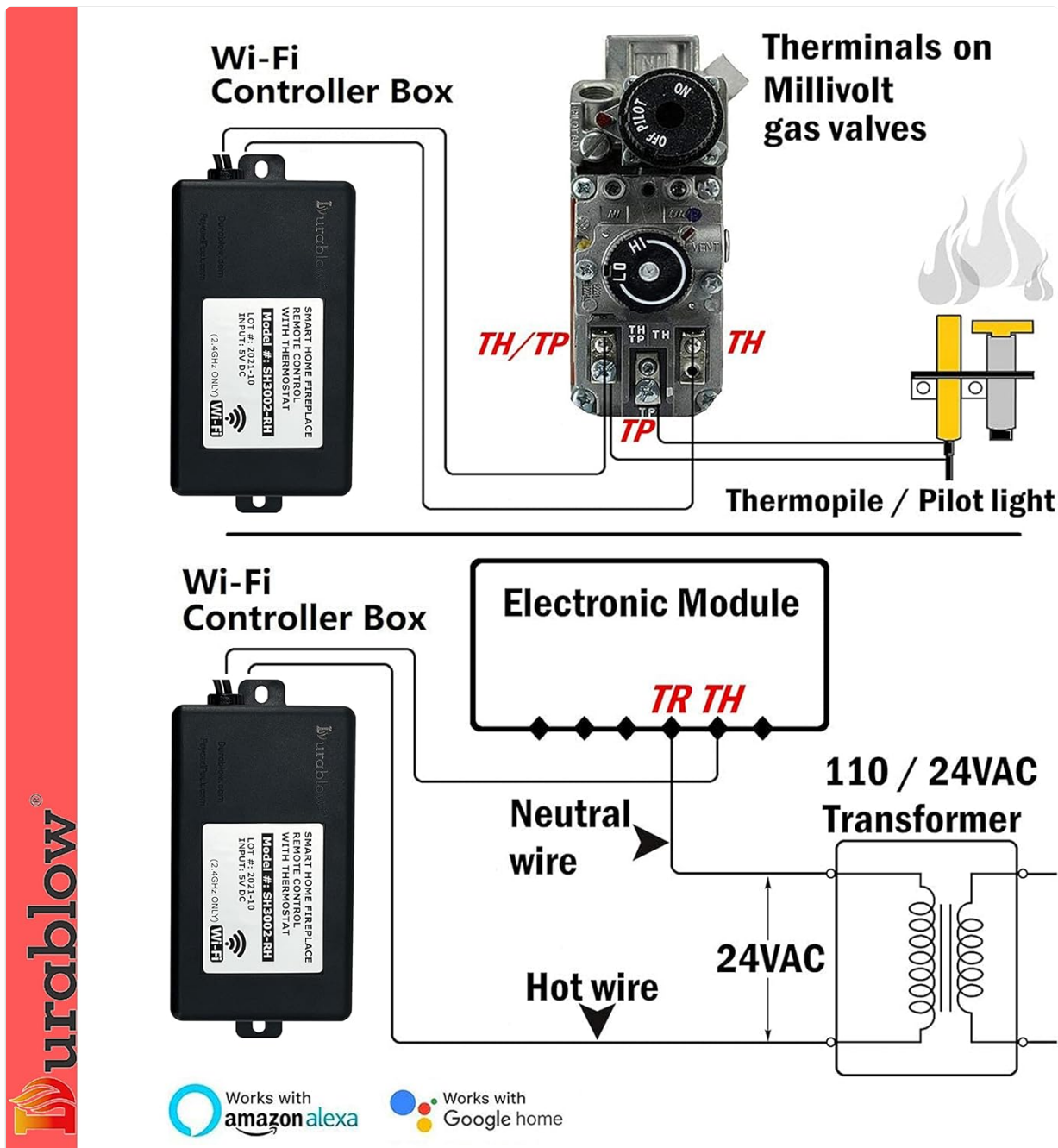


Image: Wiring diagram showing connection of the Wi-Fi controller box to terminals on a Millivolt gas valve and thermopile/pilot light.

Your browser does not support the video tag.

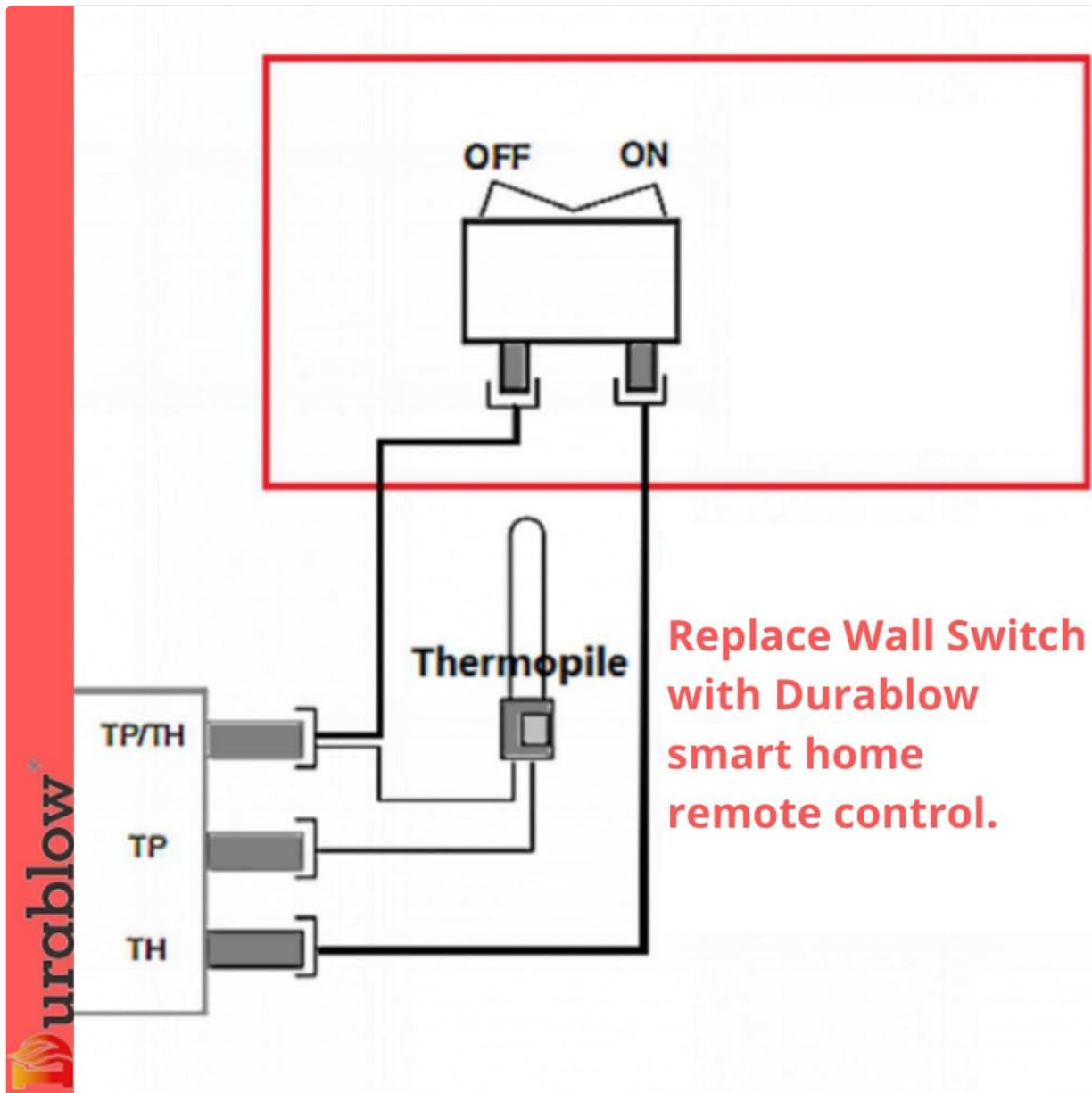
*Video: This video demonstrates the installation process for the Durablow Smart Fireplace Controller SH3001, showing how to connect it to a gas fireplace system.*

Your browser does not support the video tag.

*Video: This video illustrates the transformation from a manual fireplace control to a remote-controlled system using the Durablow SH3001-RH Wi-Fi Fireplace Control.*

### 3.2. Replacing a Wall Switch

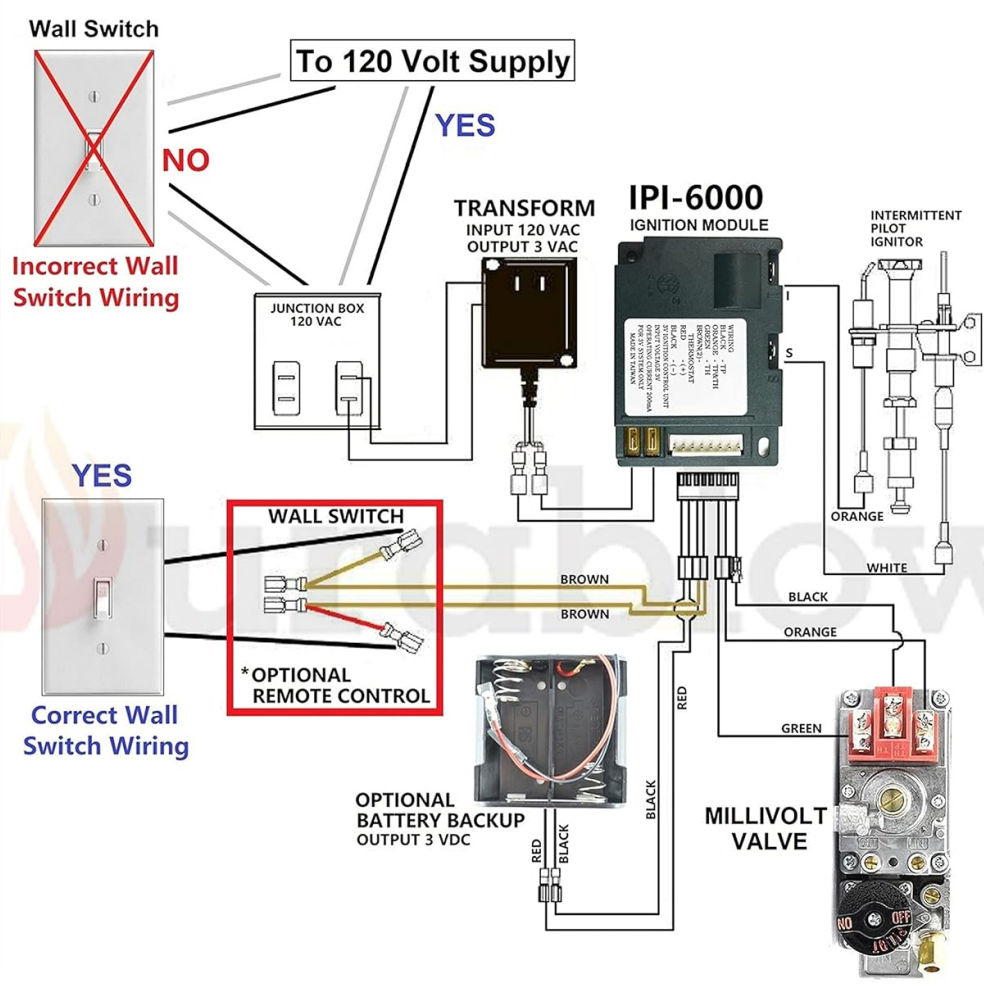
If your fireplace currently uses a wall switch, the Durablow smart home remote control can replace it. Ensure power is off before proceeding.



*Image: Diagram illustrating how to replace an existing wall switch with the Durablow smart home remote control.*

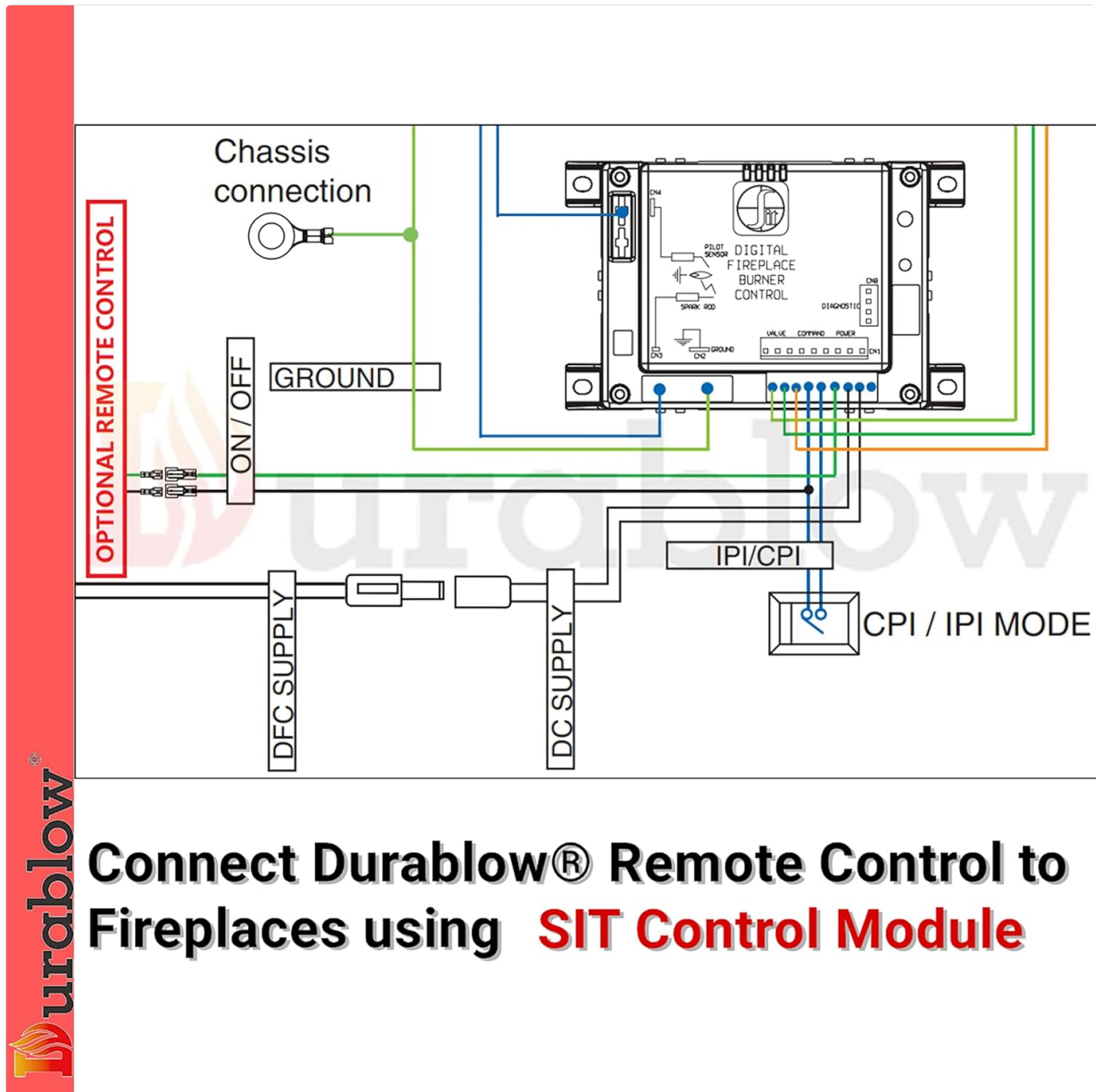
### 3.3. Connecting to Specific Control Modules

The Durablow remote control can be connected to fireplaces using various control modules. Refer to the diagrams below for specific wiring instructions for common modules.



**Connect Durablowlow® Remote Control to Fireplaces using Control Modules:**  
**593-592, GM-6KA, IPI-6000, SRV593-592, 350-M, IMP-1, J5760, J7728**

Image: Wiring diagram for connecting the Durablowlow remote control to fireplaces using control modules such as IPI-6000.



## Connect Durablow® Remote Control to Fireplaces using SIT Control Module

Image: Wiring diagram for connecting the Durablow remote control to fireplaces using an SIT Control Module.

### 4. Smart Home Integration

The Durablow SH3001-RH operates on 2.4GHz WiFi (not compatible with 5GHz WiFi) and requires no hub or gateway. It integrates seamlessly with the Smart Life App and various voice assistants.

#### 4.1. Smart Life App Setup

Download the free Smart Life App from your device's app store. Follow the in-app instructions to add your Durablow controller. Ensure your mobile device is connected to a 2.4GHz WiFi network during the pairing process. The app allows you to control your fireplace, set timers, create schedules, and share control with family members.

#### 4.2. Voice Control Integration (Alexa, Google Home, Siri)

Once set up in the Smart Life App, you can link your Durablow controller to Amazon Alexa, Google Home, Samsung SmartThings, IFTTT, and Siri for convenient voice commands.

Your browser does not support the video tag.

Video: This video demonstrates how the Durablow SH3001-RH Smart Fireplace Remote Control works with Amazon Alexa for voice commands.

Your browser does not support the video tag.

*Video: This video provides instructions on how to set up Siri to voice-control Smart Life devices, including the Durablow SH3001-RH, using Shortcuts.*

## 5. Operating Instructions

---

The Durablow SH3001-RH offers multiple ways to operate your gas fireplace:

- **Smart Life App:** Use the app for remote ON/OFF control, setting timers, creating schedules, and adjusting temperature (if applicable).
- **Voice Commands:** Utilize Amazon Alexa, Google Home, or Siri for hands-free operation.
- **Remote Handset:** The included On/Off transmitter handset provides direct manual control.

Your browser does not support the video tag.

*Video: This video provides an overview of the Remote Control RCB06A, demonstrating its functions including battery installation, setting thermostatic mode, and activating child-proof protection. While a different model, the remote handset operation principles are similar.*

## 6. Troubleshooting

---

If you encounter issues with your Durablow SH3001-RH, consider the following:

- **Pilot Light:** Check your ODS pilot (low Oxygen in room) and ensure the pilot fire is on.
- **Gas Supply:** Verify that the gas supply to your fireplace is active.
- **Wall Switch/Thermopile:** Ensure any manual wall switches are in the correct position and the thermopile is functioning.
- **Power:** All remote models are NOT power supply units. They do NOT output voltage or current to the gas valve. They only process the millivolt voltage generated from the thermopile if the pilot fire is on.
- **WiFi Connection:** Confirm the controller is connected to a 2.4GHz WiFi network.
- **Heat Insulation:** Ensure the controller box is in an area where temperatures do not exceed 130°F.

For further technical questions, please visit the Durablow Brand Store FAQ section or contact customer support.

## 7. Specifications

---

Feature	Detail
Model Number	SH3001-RH
Brand	Durablow
Operation Mode	ON-OFF
Connectivity Protocol	Wi-Fi (2.4GHz only)
Control Method	App, Remote
Controller Type	Amazon Alexa, Google Home, Samsung SmartThings, IFTTT, Siri
Power Input	100-240VAC to 5VDC (cUL listed adapter)

Product Dimensions	5 x 5 x 5 inches
Item Weight	11.2 ounces
Material	Smart Home Functions
Mounting Type	Wall Mount

## 8. Warranty & Support

---

**Legal Disclaimer:** If your house is UNATTENDED, do NOT use any remote functions, and DO turn OFF the main gas supply. The brand name and model number (if provided) are included solely for cross-reference purposes. All Brands, Trademarks & Model Numbers remain the property of their respective owners.

For product support, troubleshooting, and frequently asked questions, please visit the official [Durablou Brand Store](#) or contact customer service directly.