



Manuals.plus /

› ZENY /

› ZENY 33.5-inch Cat Tree Tower Instruction Manual

ZENY 33.5-inch Cat Tree Tower

ZENY 33.5-inch Cat Tree Tower Instruction Manual

Model: 33.5-inch Cat Tree Tower (ASIN: B07WGG3VB1)

1. INTRODUCTION

Thank you for choosing the ZENY 33.5-inch Cat Tree Tower. This multi-level cat tree is designed to provide a dedicated space for your cat's play, rest, and scratching needs. It features sturdy construction, comfortable resting areas, and durable scratching posts to promote healthy feline behavior and enhance their environment.



Image 1.1: The ZENY 33.5-inch Cat Tree Tower, showcasing its multi-level design with a top perch, enclosed condo, and scratching post.

2. SAFETY INFORMATION

- Ensure all components are securely fastened during assembly to prevent instability.
- Place the cat tree on a flat, stable surface to minimize the risk of tipping.
- Regularly inspect the cat tree for any loose parts, damaged components, or excessive wear. Tighten screws and replace damaged parts as needed.
- Keep small children away from the cat tree during assembly and ensure they do not climb on it.
- This product is intended for feline use only.

3. PACKAGE CONTENTS

Before beginning assembly, verify that all parts are present and undamaged. The package should contain:

- All necessary particleboard platforms and enclosures.
- Sisal rope scratching posts.
- Soft flannelette covering for all surfaces.
- Assembly hardware (screws, bolts, washers).
- Assembly tools (e.g., Allen wrench).
- Instruction manual (this document).

4. SETUP AND ASSEMBLY

Assembly of the ZENY Cat Tree Tower requires careful attention to the provided diagrams. While all necessary tools are included, some users may find the visual instructions challenging. We recommend laying out all components before starting.

1. Identify all base platforms, posts, and enclosures. Note that some boards may appear similar; refer to the diagrams for specific hole placements and orientations.
2. Begin by attaching the lowest posts and enclosures to the main base platform. Ensure all screws are tightened securely.
3. Continue building upwards, connecting platforms, posts, and the cat house components as indicated in the assembly diagrams.
4. Attach the scratching ramp and the top perch last.
5. Once fully assembled, gently shake the cat tree to confirm stability. Retighten any loose connections.



Premium Particle Board Soft Faux Fur Covering

Image 4.1: Detail of the materials used, including premium particle board for structure and soft faux fur for comfort.

Image 4.2: A view of the cat tree's lower section, highlighting the entrance to the bottom condo and the integrated scratching ramp.

For additional assembly guidance, you may refer to the manufacturer's assembly video:
<https://youtu.be/HyMz8Xv5JgM>

5. OPERATING AND USAGE

The ZENY Cat Tree Tower offers multiple features for your cat's enjoyment:

- **Scratching Posts:** The posts are covered with natural sisal rope, providing an ideal surface for your cat to sharpen claws and stretch, diverting attention from household furniture.
- **Enclosed Condos:** Two cozy, enclosed spaces offer privacy and security for napping or hiding.
- **Top Perch:** A raised perch with a soft, cushioned rim allows your cat to observe its surroundings from a comfortable height.
- **Ladder/Ramp:** The integrated ramp provides an easy ascent and descent, particularly beneficial for kittens or older cats, and offers an additional scratching surface.
- **Hanging Toy:** A small hanging ball toy encourages playful interaction.

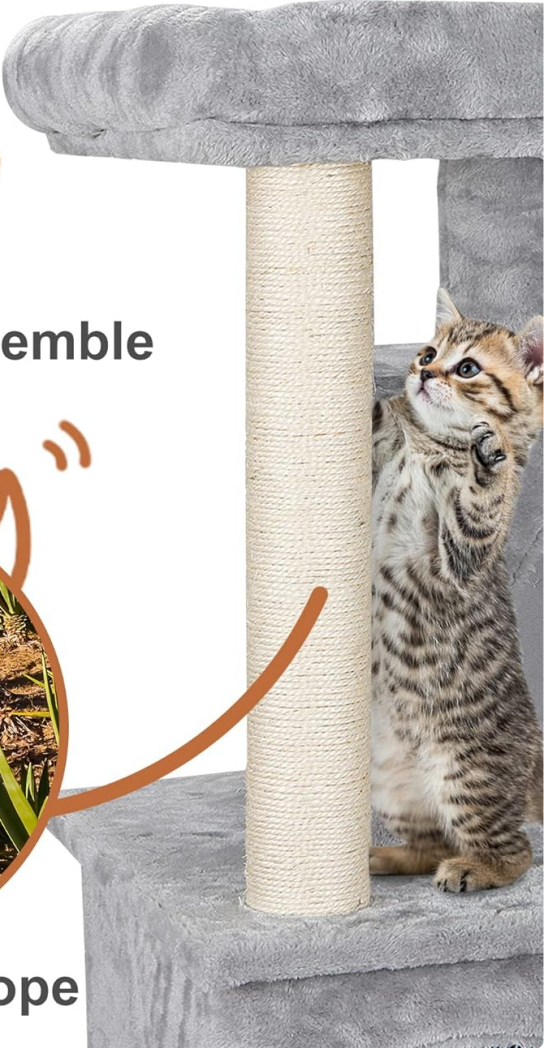
Durable Scratching Post



Firm&Stable



Easy to Assemble



Natural Sisal Rope

Image 5.1: A cat utilizing the durable sisal rope scratching post, designed for natural claw care.



Image 5.2: Detail of the lower cat condo entrance and the textured scratching ramp.



Image 5.3: The comfortable top perch, featuring a soft, raised edge for secure resting.

6. MAINTENANCE

- **Cleaning:** The flannelette covering can be spot cleaned with a damp cloth. For deeper cleaning, the manufacturer recommends hand washing only. Avoid harsh chemicals that may irritate your pet.
- **Inspection:** Periodically check all screws and connections to ensure they remain tight. Loose components can compromise stability.
- **Sisal Rope:** Over time, the sisal rope on scratching posts may fray. While this is normal, excessive fraying may indicate a need for replacement or a new scratching surface.

7. TROUBLESHOOTING

- **Instability:** If the cat tree feels wobbly, re-check all screw connections. Ensure the tree is placed on a level, firm surface.
- **Parts Not Fitting:** Double-check the assembly diagrams. Some pieces may look similar but have different hole alignments. Ensure you are using the correct hardware for each step.
- **Cat Not Using Tree:** Introduce your cat to the tree gradually. Use catnip, treats, or favorite toys to encourage exploration. Place the tree in a location your cat frequently visits.

8. SPECIFICATIONS

Feature	Detail
Overall Dimensions (L x W x H)	19.6 inches x 17.5 inches x 33.9 inches
Item Weight	33 Pounds
Material	Particleboard, Flannelette, Sisal Rope
Color	Gray
Recommended Age Range	All ages
Care Instructions	Hand Wash Only
Included Components	1 Cat Tree, Assembly Tools, Instructions

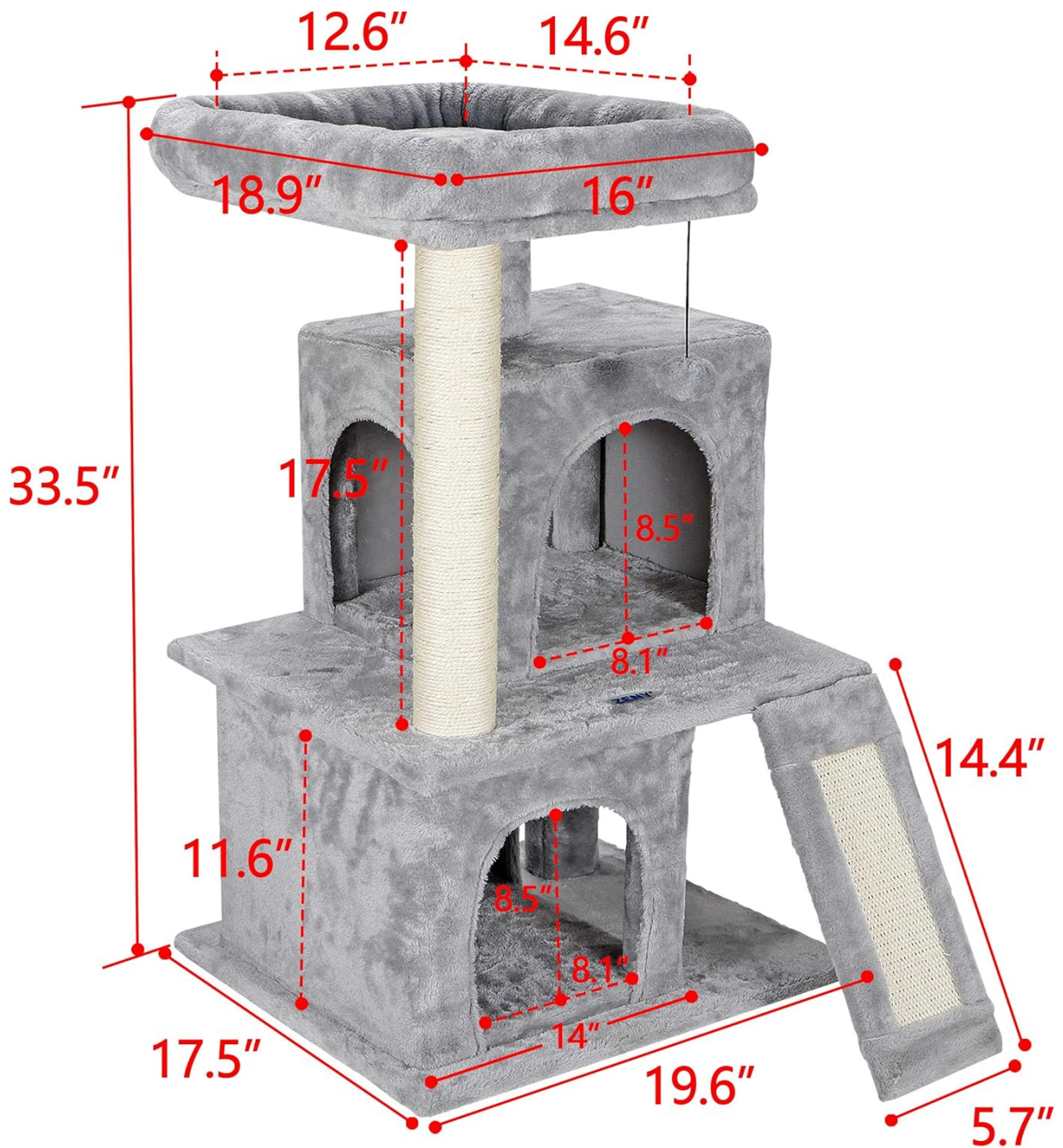


Image 8.1: Dimensional drawing of the cat tree, indicating various measurements for platforms, posts, and overall height.

9. WARRANTY AND SUPPORT

For any questions regarding assembly, missing parts, or product performance, please contact ZENY Direct customer support. Specific warranty details may vary; please refer to your purchase documentation or contact the seller directly for information on warranty coverage.

Contact Information: Refer to your purchase platform or the ZENY official website for the most current support contact details.