

[Manuals.plus](#) /

> [Teraves](#) /

> Teraves Reversible L Shaped Desk User Manual

## Teraves SLUGRIAS

# Teraves Reversible L Shaped Desk User Manual

Model: SLUGRIAS | Brand: Teraves

## INTRODUCTION

Thank you for choosing the Teraves Reversible L Shaped Desk. This desk is designed to provide a versatile and spacious workspace for various activities, including computer work, gaming, drafting, and general office tasks. Its reversible design allows for flexible configuration to best suit your space and needs. This manual provides essential information for assembly, operation, maintenance, and troubleshooting to ensure optimal use and longevity of your desk.



*Image: The Teraves Reversible L Shaped Desk, showcasing its large surface and integrated storage shelves, suitable for various home office and gaming setups.*

## KEY FEATURES

---

- **Versatile Storage Space:** This computer desk features open 2-tier shelves, ideal for storing books, documents, or displaying decorative items. It provides ample space for monitors, laptops, and other office supplies, ensuring everything you need is easily accessible.
- **Reversible Two Spacious Workspace:** The L-shape desk boasts a reversible desktop design, allowing you to configure your workspace to either the left or right side, maximizing space efficiency in your home office. It offers extensive surface area for writing, computer work, and other home office activities.
- **Modern Wooden Desk:** With its sleek and elegant appearance, this sturdy wooden desk enhances any room. Its contemporary design makes it a suitable addition to both home and office environments.
- **Super Durable and Sturdy:** Constructed from P2 class particle board with advanced edge technology and a thicker steel frame, this desk ensures exceptional strength and durability. Adjustable leg pads are included to maintain stable balance on uneven floors and carpets.
- **Optimal Dimensions:** The desk panel dimensions are 68.9" x 22" and 53.15" x 22" (with corner length), with a height of 30". It can bear up to 450 lbs. A compatible hole (0.39 inches diameter) is provided for installing a monitor stand, and the desk corner can bear up to 110 lbs.



*Image: The reversible design of the Teraves L Shaped Desk, demonstrating how two units can be combined or configured to fit different room layouts.*

## SPECIFICATIONS

Attribute	Detail
Brand	Teraves
Model Number	SLUGRIAS

<b>Product Dimensions (D x W x H)</b>	68.9" x 53.1" x 29.3"
<b>Color</b>	Black Oak
<b>Style</b>	Modern
<b>Base Material</b>	Alloy Steel
<b>Top Material Type</b>	Engineered Wood
<b>Finish Type</b>	Powder Coated
<b>Special Features</b>	Adjustable, Adjustable Height (Leg Pads)
<b>Recommended Uses</b>	Drafting, Gaming, Working, Writing
<b>Maximum Weight Recommendation</b>	450 Pounds
<b>Number of Shelves</b>	2 (Open)
<b>Required Assembly</b>	Yes
<b>Assembly Tools Included</b>	Yes

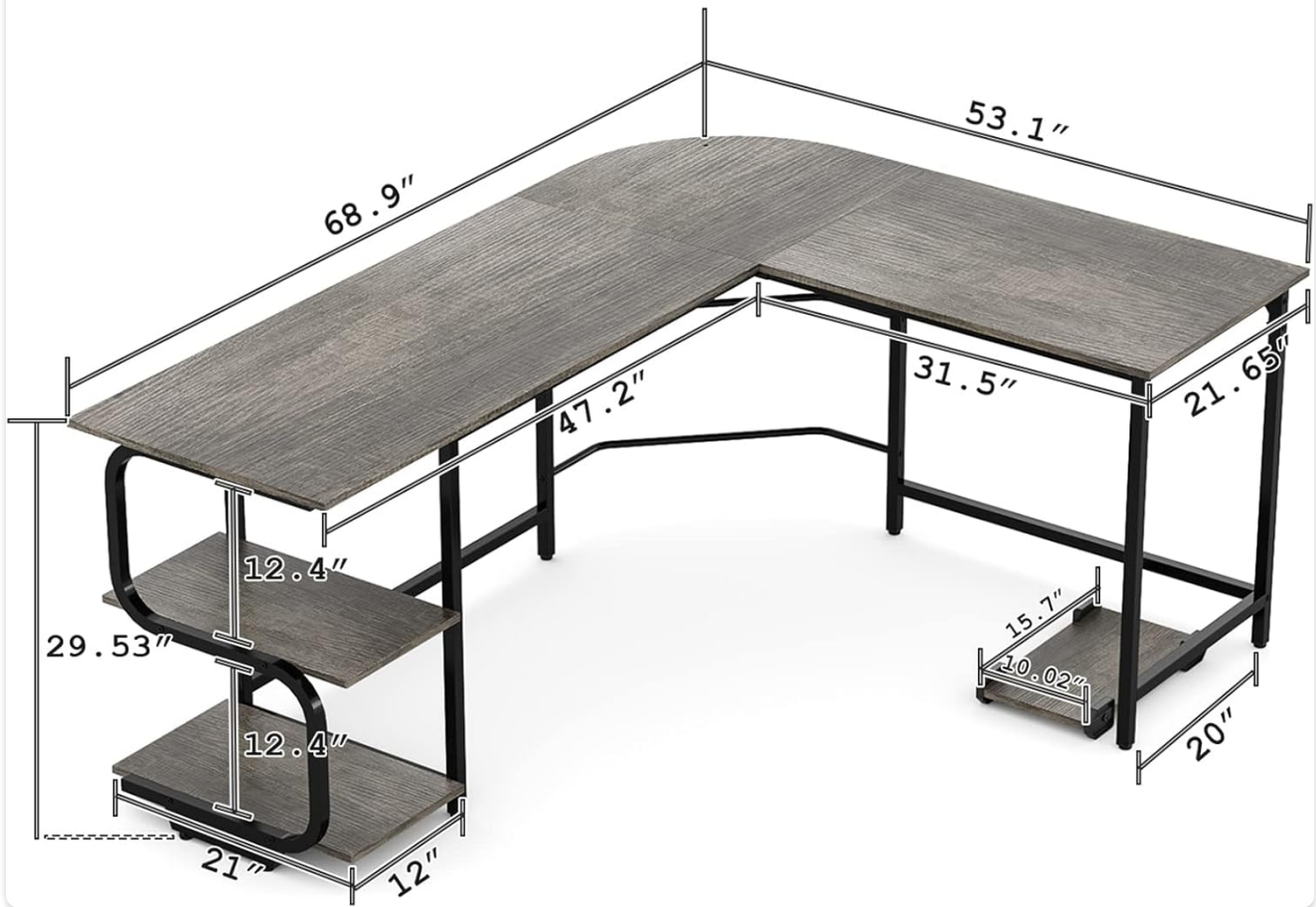


Image: A diagram illustrating the precise dimensions of the Teraves L Shaped Desk, including the main desktop, corner section, and integrated shelving unit.

## SETUP & ASSEMBLY

The Teraves L Shaped Desk is designed for straightforward assembly. All necessary tools are included in the package. Please follow the detailed instructions provided in the [Installation Manual \(PDF\)](#) for step-by-step guidance. Ensure all components are present before beginning assembly.

### Reversible Configuration

One of the key advantages of this desk is its reversible design. During assembly, you can choose to orient the longer section of the L-shape to either the left or right side, depending on your room layout and personal preference. This flexibility allows for optimal space utilization.



*Image: A visual representation of the desk's reversible feature, demonstrating how the L-shape can be assembled with the longer side on either the left or right.*

## **OPERATING INSTRUCTIONS**

---

The Teraves L Shaped Desk is designed for straightforward use. Once assembled, it provides a stable and spacious surface for your daily activities.

### **Workspace Utilization**

- Utilize the large desktop surface for your computer, monitors, keyboard, mouse, and other peripherals.
- The integrated 2-tier shelves are perfect for organizing books, files, decorative items, or small office equipment like printers.
- The desk includes a compatible hole for installing a monitor stand, allowing for ergonomic monitor placement.
- The open design of the base facilitates easy cable management and access to power outlets.

# HOLD FOR MONITOR STAND



*Image: Detail of the desk surface, highlighting the pre-drilled hole designed for easy installation of a monitor stand.*



## MODERN DESIGNED WITH OPEN 2-TIER SHELVES FOR STORAGE

*Image: A detailed view of the two-tier open storage shelves, illustrating their capacity for items like printers and books, with indicated dimensions.*

### MAINTENANCE

To ensure the longevity and appearance of your Teraves L Shaped Desk, regular maintenance is recommended:

- **Cleaning:** Wipe the desk surface regularly with a soft, damp cloth. For stubborn marks, a mild soap solution can be used, followed by drying with a clean cloth. Avoid harsh chemicals or abrasive cleaners.
- **Dusting:** Dust the desk frequently to prevent buildup, especially in crevices.

- **Spills:** The desk features a waterproof wood board. In case of spills, wipe them immediately to prevent any potential damage or staining.
- **Stability:** Periodically check all screws and connections to ensure they remain tight. Adjust the leg pads as needed to maintain desk stability on uneven surfaces.



## WATERPROOF WOOD BOARD



## SAFE ROUND CORNER



## ADJUSTABLE LEG PAD



*Image: Visuals demonstrating key features for durability and safety: the waterproof wood board, the safe rounded corners, and the adjustable leg pads for stability.*

If you encounter any issues with your Teraves L Shaped Desk, consider the following common solutions:

- **Wobbling Desk:** Ensure all assembly screws are securely tightened. Use the adjustable leg pads at the bottom of the desk legs to level the desk on uneven floors.
- **Missing Parts:** Refer to the included parts list in the Installation Manual. If any parts are missing, contact Teraves customer support for assistance.
- **Difficulty Assembling:** Double-check the steps in the Installation Manual. Ensure you are using the correct hardware for each step. The simple structure is designed for easy assembly, but careful attention to detail is important.
- **Surface Damage:** While the desk features a durable and waterproof surface, avoid placing extremely hot items directly on it without protection. Use coasters for drinks.

## WARRANTY & SUPPORT

---

The Teraves L Shaped Desk comes with a **60-day manufacturer's warranty** covering parts and labor. For any warranty claims, product support, or inquiries, please refer to the contact information provided with your purchase or visit the official Teraves brand store on Amazon: [Teraves Store](#).

For detailed assembly instructions, please download the [Installation Manual \(PDF\)](#).