



Manuals.plus /

› Frigidaire /

› Frigidaire A10281701 Dishwasher Circulation Pump User Manual

Frigidaire A10281701

Frigidaire A10281701 Dishwasher Circulation Pump User Manual

Genuine Original Equipment Manufacturer (OEM) Part

INTRODUCTION

This manual provides essential information for the installation, operation, maintenance, and troubleshooting of the Frigidaire A10281701 Dishwasher Circulation Pump. This is a genuine Original Equipment Manufacturer (OEM) part designed for specific Frigidaire dishwasher models. Please read these instructions carefully before proceeding with any installation or repair to ensure proper function and safety.

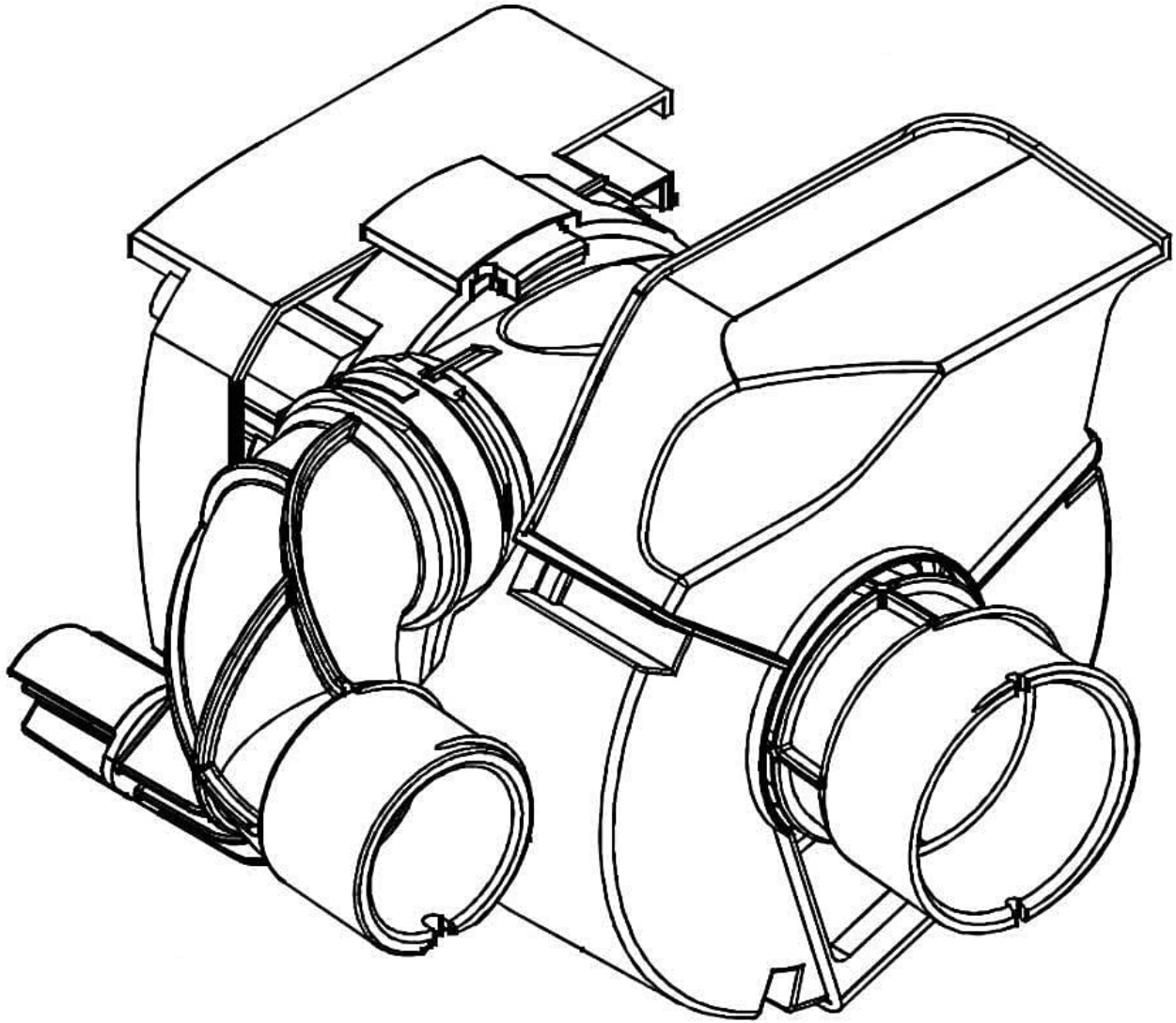


Image: Frigidaire brand logo, indicating the manufacturer of the part.

IMPORTANT SAFETY INFORMATION

WARNING: Before attempting any installation or repair, ensure the dishwasher's power supply is disconnected at the circuit breaker. Failure to do so may result in electrical shock, injury, or death. Always wear appropriate personal protective equipment, such as gloves and eye protection.

This part should only be installed by a qualified technician. Improper installation can lead to product damage, property damage, or personal injury.

Does your part fit?



Many replacement parts
look the same
but won't fit your model.

Don't be fooled!

Check your
model number
before you buy.

Image: A stop sign graphic emphasizing the importance of checking the model number before purchasing or installing replacement parts to ensure compatibility.

SETUP AND INSTALLATION

Tools Required:

- Screwdriver set (Phillips and Flathead)
- Pliers
- Adjustable wrench
- Towels or sponges for water absorption
- Bucket

Pre-Installation Steps:

1. **Disconnect Power:** Turn off the electrical power to the dishwasher at the household circuit breaker or fuse box.

2. **Disconnect Water Supply:** Turn off the water supply valve to the dishwasher.
3. **Drain Water:** If possible, drain any remaining water from the dishwasher tub.
4. **Access Dishwasher:** Carefully pull the dishwasher out from its cabinet enclosure to access the pump assembly from underneath or the side, depending on the model.

Installation Procedure:

1. **Locate Old Pump:** Identify the existing circulation pump assembly.
2. **Disconnect Hoses and Wires:** Carefully disconnect all hoses and electrical wires attached to the old pump. Note their positions for reassembly.
3. **Remove Old Pump:** Unfasten any clamps or screws securing the old pump assembly and remove it.
4. **Install New Pump:** Position the new Frigidaire A10281701 circulation pump assembly in place. Ensure it is seated correctly.
5. **Secure New Pump:** Fasten the new pump with the appropriate clamps or screws.
6. **Reconnect Hoses and Wires:** Reconnect all hoses and electrical wires to their correct positions on the new pump. Ensure all connections are secure and watertight.
7. **Check for Leaks:** Before fully pushing the dishwasher back, turn on the water supply and check for any leaks around the new pump connections.
8. **Restore Power:** Once satisfied with the installation and leak check, restore electrical power to the dishwasher.

OPERATING INSTRUCTIONS (POST-INSTALLATION)

After successful installation of the Frigidaire A10281701 Dishwasher Circulation Pump, follow these steps to ensure proper operation:

1. **Initial Test Cycle:** Run a short wash cycle without dishes to check for proper water circulation and any unusual noises or leaks.
2. **Observe Performance:** During the cycle, listen for the pump operating smoothly. Water should be sprayed effectively throughout the dishwasher tub.
3. **Check for Leaks Again:** After the cycle, inspect the area around the pump and connections for any signs of water leakage.
4. **Normal Use:** If no issues are detected, the dishwasher is ready for normal operation.

MAINTENANCE

The Frigidaire A10281701 Dishwasher Circulation Pump is designed for durability. Regular maintenance of your dishwasher can help prolong the life of all its components, including the pump.

- **Clean Filters:** Regularly clean the dishwasher's filters to prevent debris from entering the pump and causing blockages or damage.
- **Use Appropriate Detergent:** Use only dishwasher-safe detergents in the recommended amounts. Excessive detergent can lead to residue buildup.
- **Avoid Overloading:** Do not overload the dishwasher, as this can hinder water circulation and put undue strain on the pump.
- **Inspect for Debris:** Periodically check the bottom of the dishwasher tub for any foreign objects that could interfere with the pump impeller.

TROUBLESHOOTING

If you experience issues after installing the Frigidaire A10281701 Dishwasher Circulation Pump, refer to the following common problems and solutions:

| Problem | Possible Cause | Solution |
|----------------------------------|---|--|
| Dishwasher not circulating water | Pump not receiving power; blockage in pump or hoses; faulty wiring connection. | Check power supply and circuit breaker. Disconnect power and inspect pump impeller and hoses for obstructions. Verify all electrical connections are secure. |
| Loud noise from pump area | Debris in pump impeller; worn bearings (less likely for new pump); improper installation. | Disconnect power and inspect pump for foreign objects. Ensure pump is securely mounted and not vibrating against other components. |
| Water leaking from pump area | Loose hose clamps; damaged seals; improper seating of pump. | Disconnect power and check all hose connections and clamps for tightness. Inspect seals for damage and ensure the pump is correctly seated. |
| Dishes not cleaning properly | Insufficient water pressure from pump; spray arms blocked; incorrect detergent usage. | Ensure pump is operating at full capacity. Clean spray arm nozzles. Review detergent instructions. |

If troubleshooting steps do not resolve the issue, it is recommended to contact a qualified appliance repair technician.

SPECIFICATIONS

- **Part Number:** A10281701
- **Part Type:** Dishwasher Circulation Pump Assembly with Heater
- **Brand:** Frigidaire
- **Material:** Stainless Steel (as per product specifications, likely for internal components or housing)
- **Compatibility:** Genuine OEM part for specific Frigidaire dishwasher models. Verify compatibility with your appliance's model number before installation.

WARRANTY AND SUPPORT

For information regarding the warranty of your Frigidaire A10281701 Dishwasher Circulation Pump, please refer to the documentation provided with your original appliance or contact Frigidaire customer support directly. As an OEM part, its warranty typically aligns with the manufacturer's standard parts warranty.

Frigidaire Customer Support: For technical assistance or to locate authorized service centers, please visit the official Frigidaire website or consult your appliance's user manual for contact information.

Note: This manual is for informational purposes only. Always consult a qualified technician for complex repairs.

