

LZHOME YOOUS

LZHOME 2-Pack Deformable LED Garage Ceiling Lights

MODEL: YOOUS

Instruction Manual

[Introduction](#) [Safety](#) [Contents](#) [Features](#) [Specifications](#) [Installation](#) [Operation](#) [Maintenance](#) [Troubleshooting](#) [Warranty](#)

1. Introduction

This manual provides essential information for the safe and efficient use of your LZHOME 2-Pack Deformable LED Garage Ceiling Lights. Please read these instructions carefully before installation and operation, and retain them for future reference.

2. Important Safety Instructions

To reduce the risk of fire, electric shock, or injury to persons, please observe the following:

- **Read all instructions:** Familiarize yourself with the product's features and operation before use.
- **Electrical Safety:** Ensure the power supply is turned off at the circuit breaker before installation or maintenance.
- **Proper Installation:** Install the light fixture into a standard E26/E27 screw-in base. Do not force the light into an incompatible socket.
- **Indoor Use Only:** This product is designed for indoor use in dry locations such as garages, basements, and home offices. It is not water resistant.
- **Avoid Direct Eye Exposure:** The LED lights are extremely bright. Do not look directly into the light source when it is illuminated to prevent eye strain or damage.
- **Ventilation:** Ensure adequate airflow around the light fixture to dissipate heat. The aluminum material aids in heat dissipation.
- **Not Dimmable:** This light is not compatible with dimmer switches. Using it with a dimmer may cause damage or malfunction.
- **Temperature Range:** Operate within the specified working temperature range of -30°C to 60°C.
- **Children and Pets:** Keep the product out of reach of children and pets.

3. Package Contents

Verify that all items are present and undamaged upon opening the package:

- 2 x LZHOME Deformable LED Garage Ceiling Lights
- 2 x User's Manual (this document)
- 2 x Lampholder (gift item, for testing or temporary use)

INCLUDING



lamp X 2



**E26/E27
Lampholder X 2**

Kindly note: This holder just for gift, if you have special demands or this item not suit for you, please buy separately.

Image: Contents of the LZHOME 2-Pack Deformable LED Garage Ceiling Lights package.

4. Product Features

The LZHOME Deformable LED Garage Ceiling Light offers several key features:

- **Deformable Design:** Three adjustable LED panels can be angled up to 90 degrees to direct light precisely where needed.
- **High Brightness:** Provides 9000 lumens of bright, 5000K daylight white light.
- **Energy Efficient:** Operates at 82W, offering significant energy savings compared to traditional lighting.
- **Durable Construction:** Made from high-quality aluminum and PC for effective heat dissipation and longevity.
- **Easy Installation:** Screws directly into a standard E26/E27 light socket, requiring no special tools or wiring.
- **Non-Slip Base:** Designed with a non-slip surface for secure handling during installation.

Deformable Design

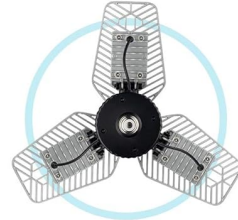
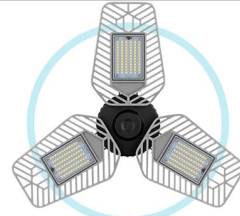


Image: The deformable design allows for adjustable light direction.



Image: Detail of the adjustable panels and non-slip hand grip for easy manipulation.

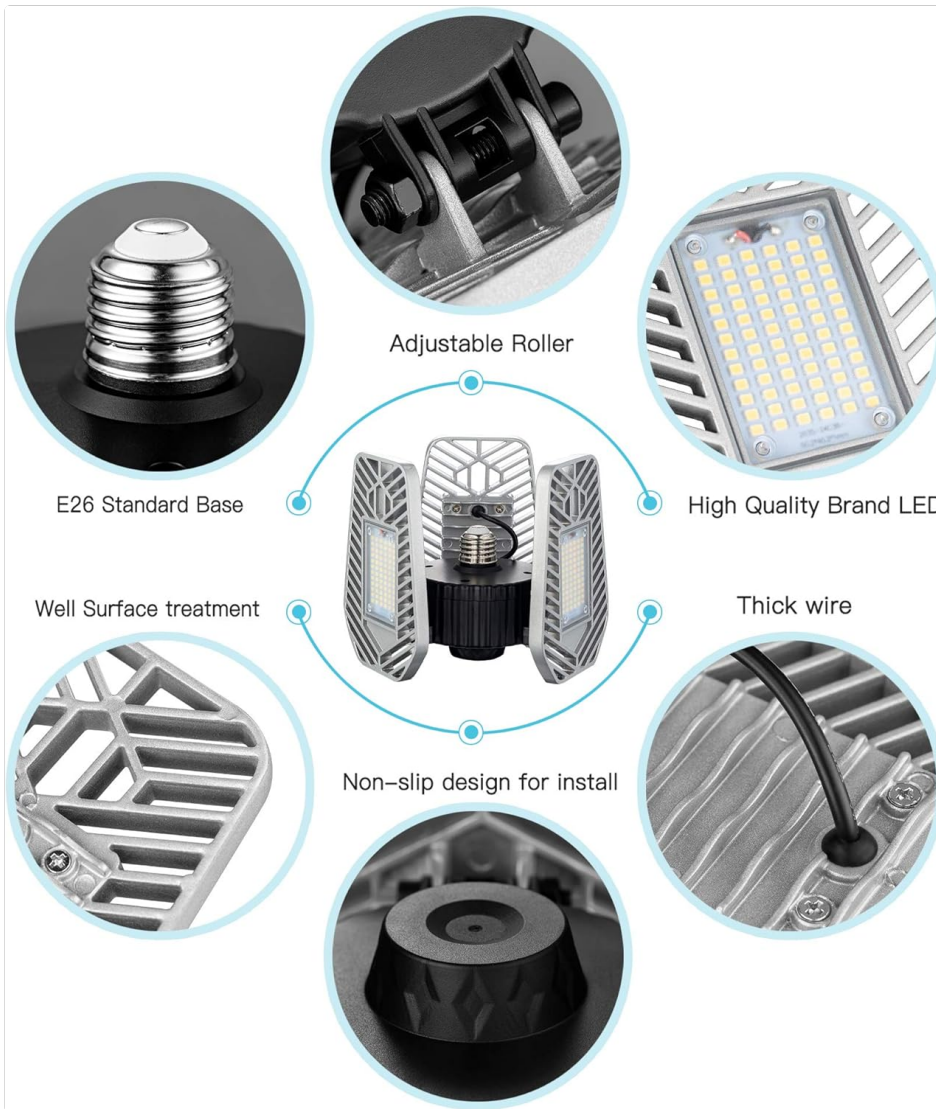


Image: Key components and design elements of the light fixture.

5. Specifications

Attribute	Value
Luminous Flux	9000 Lumens
Power Consumption	82W \pm 10%
Base Type	E26/E27
Input Voltage	100-265V 50/60Hz
Color Rendering Index (CRI)	>80
Color Temperature	5000K (Daylight White)
Working Temperature	-30°C ~ 60°C
Power Factor	0.95
Material	Aluminum & PC
LED Type	LM-80 LED 2835SMD
Average Lamp Life	50,000 Hours
Dimensions (L x W x H)	13.4" x 11.8" x 3.75" (fully extended)
Control Method	Wall Switch (not motion activated)
Dimmable	No
Water Resistance Level	Not Water Resistant (Indoor Use)

UPDATED SIZE

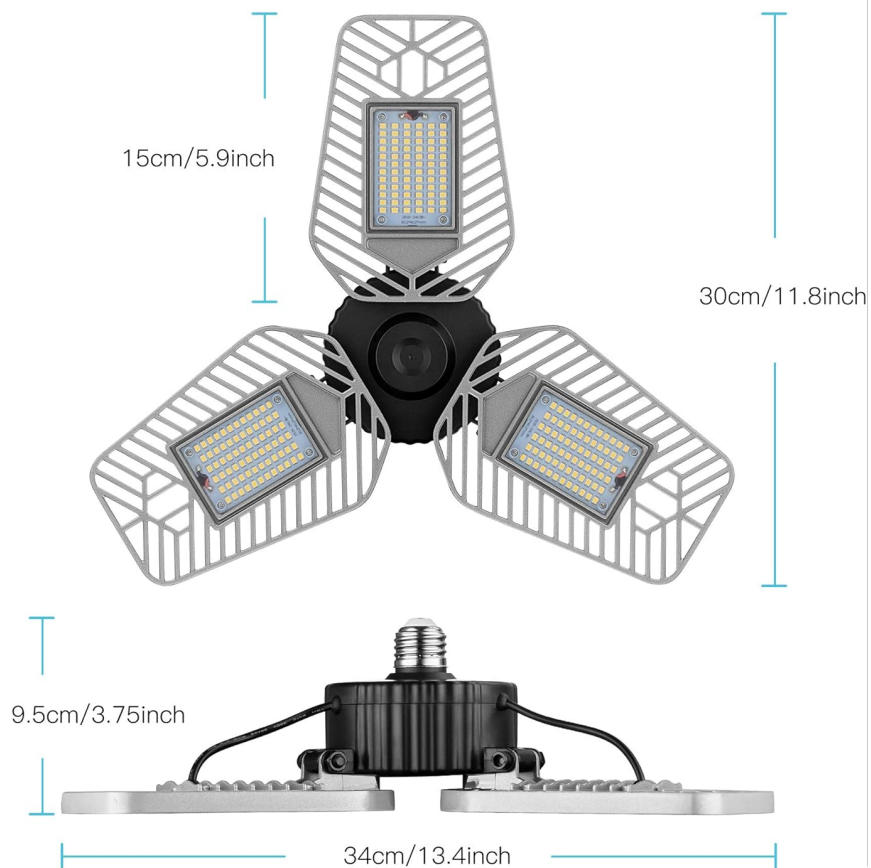


Image: Detailed dimensions of the light fixture.

6. Installation Guide

Installation of the LZHOME Deformable LED Garage Ceiling Light is designed to be straightforward and requires no special tools.

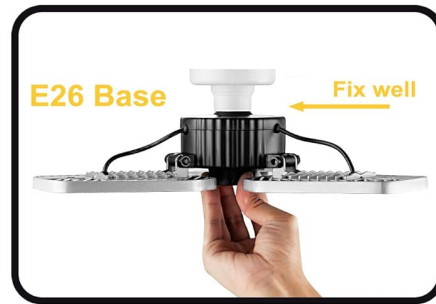
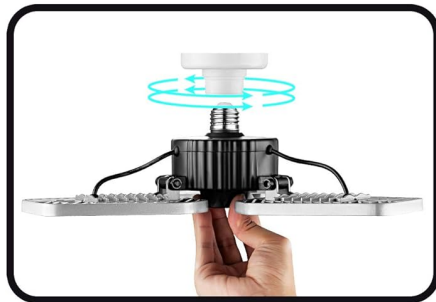
1. **Power Off:** Before beginning installation, ensure the power to the light fixture's circuit is turned off at the main circuit breaker.
2. **Unpack:** Carefully remove the LED garage light from its packaging.
3. **Screw In:** Screw the light fixture directly into a standard E26 or E27 screw-in base. Turn clockwise until it is firmly seated. Do not overtighten.
4. **Adjust Panels:** Once securely installed, adjust the three LED panels to your desired angles to illuminate the area effectively. Each panel can be folded up to 90 degrees.
5. **Power On:** Restore power at the circuit breaker.



E26/E27 BASE

Easy Installation

Fix a garage light as a bulb



1 → 2

Image: Visual instructions for screwing the light into an E26/E27 base.

7. Operation

Operating your LZHOME Deformable LED Garage Ceiling Light is simple:

- **Turning On/Off:** Use the existing wall switch connected to the light socket to turn the light on or off.
- **Adjusting Light Direction:** Gently grasp the edge of each LED panel and pivot it to the desired angle. The panels are designed to be adjustable to provide optimal light coverage for your space.



Image: The light installed in a garage, demonstrating its wide illumination and adjustable panels.

8. Care and Maintenance

To ensure the longevity and optimal performance of your LED garage light:

- **Cleaning:** Disconnect power before cleaning. Use a soft, dry cloth to wipe the light fixture. Do not use abrasive cleaners or solvents.
- **Inspection:** Periodically check the fixture for any signs of damage or loose connections.
- **No User-Serviceable Parts:** Do not attempt to disassemble or repair the light fixture. This will void the warranty and may cause electric shock.

9. Troubleshooting

If you encounter issues with your LZHOME LED Garage Ceiling Light, refer to the following common problems and solutions:

Problem	Possible Cause	Solution
Light does not turn on	No power to the socket; Loose connection; Faulty light fixture.	Check circuit breaker and wall switch. Ensure the light is screwed in tightly. If issues persist, contact customer support.
Light flickers	Incompatible dimmer switch; Unstable power supply; Loose connection.	Ensure no dimmer switch is used (this product is not dimmable). Check power supply stability. Tighten the light in the socket.
Light is not bright enough	Panels not optimally angled.	Adjust the LED panels to direct light more effectively to the desired areas.
Delay when turning on	Normal operation for some LED drivers.	A slight delay (approx. 1 second) is normal for this type of LED light and does not indicate a fault.

10. Warranty and Support

LZHOME provides a limited warranty for this product. For specific warranty details and duration, please refer to the warranty card included in your package or contact LZHOME customer support.

Customer Support: For technical assistance, troubleshooting, or warranty claims, please contact LZHOME directly through their official website or the retailer where the product was purchased. Keep your purchase receipt as proof of purchase.

Protection Plans: Extended protection plans may be available for purchase from your retailer. These plans offer additional coverage beyond the manufacturer's warranty.