



Manuals.plus /

- › KCO /
- › KCO Lighting FZ-KQ39-MNTL 3-Light Brass Track Lighting User Manual

KCO FZ-KQ39-MNTL

KCO Lighting FZ-KQ39-MNTL 3-Light Brass Track Lighting User Manual

Model: FZ-KQ39-MNTL | Brand: KCO

1. IMPORTANT SAFETY INFORMATION

Please read and understand all instructions before beginning installation. Failure to do so may result in electric shock, fire, or other injuries that could be hazardous or even fatal.

- **WARNING:** Risk of electric shock. Disconnect power at the circuit breaker or fuse box before installation or servicing.
- All electrical connections must be in accordance with local codes, ordinances, or the National Electric Code (NEC). Contact a qualified electrician if you are unfamiliar with proper electrical wiring connections.
- Use only UL/ETL listed wire connectors.
- Do not exceed the recommended wattage for light bulbs.
- This fixture is designed for **indoor use only**.
- Wear gloves during installation to prevent fingerprints and damage to the finish.

2. PACKAGE CONTENTS

Verify that all components are present before beginning installation:

- 1x KCO Lighting FZ-KQ39-MNTL 3-Light Track Lighting Fixture
- 1x Mounting Hardware Kit

3. SPECIFICATIONS

Feature	Specification
Brand	KCO
Model Number	FZ-KQ39-MNTL
Color	Gold
Material	Metal, Brass (Shade)
Style	Modern
Light Fixture Form	Spotlight
Indoor/Outdoor Usage	Indoor
Power Source	AC
Light Source	LED (Bulbs included)
Number of Light Sources	3
Voltage	110-240 Volts
Wattage (per bulb)	5 watts
Brightness	1350 lumens (total)
Bulb Base	E26
Dimmable	Yes (requires dimmable bulbs and dimmer switch)
Mounting Type	Ceiling Mount, Flush Mount
Item Dimensions (L x W x H)	29.5"L x 4.7"W x 8.7"H (75cm L x 12cm W x 22cm H)
Item Weight	3.39 Pounds

Product Dimensions Diagram



Figure 1: Product dimensions and adjustable light head illustration.

4. INSTALLATION INSTRUCTIONS (SETUP)

Professional installation is recommended. Ensure power is disconnected before proceeding.

1. **Prepare for Installation:** Turn off the electricity at the main fuse box or circuit breaker.
2. **Mounting Bracket:** Attach the mounting bracket to the junction box in the ceiling using the provided screws. Ensure it is securely fastened.
3. **Electrical Connections:** Connect the fixture's wires to the corresponding household wires (black to black, white to white, ground to ground) using appropriate wire connectors. Ensure all connections are tight and secure.
4. **Secure Fixture:** Carefully push the wired connections into the junction box. Align the fixture base with the mounting bracket and secure it with the provided screws.
5. **Install Bulbs:** Screw E26 base LED bulbs into each socket. It is recommended to use bulbs shorter than 3.94 inches (10cm) for optimal fit.
6. **Restore Power:** Turn the electricity back on at the main fuse box or circuit breaker.

Installation Overview



Figure 2: KCO Lighting 3-Light Brass Track Lighting fixture.

5. OPERATING INSTRUCTIONS

- **Turning On/Off:** Use your wall switch to turn the light fixture on or off.
- **Adjusting Light Heads:** The three spotlight heads are adjustable. They can be rotated vertically up to 90° and horizontally up to 180°. Gently pivot each light head to direct illumination as desired.
- **Dimmable Functionality:** If you have installed dimmable E26 LED bulbs and a compatible dimmer switch (not included), you can adjust the brightness of the lights using the dimmer switch.

Adjustable Light Heads



Figure 3: Adjustable light heads for directional lighting.

6. MAINTENANCE

- **Cleaning:** To clean the fixture, ensure power is off. Wipe with a soft, dry cloth. Do not use abrasive cleaners or solvents as they may damage the finish.
- **Bulb Replacement:** Ensure power is off before replacing bulbs. Allow bulbs to cool completely. Unscrew the old E26 bulb and replace it with a new E26 LED bulb. For best fit, use bulbs with a length shorter than 3.94 inches (10cm).

Compatible Bulb Type

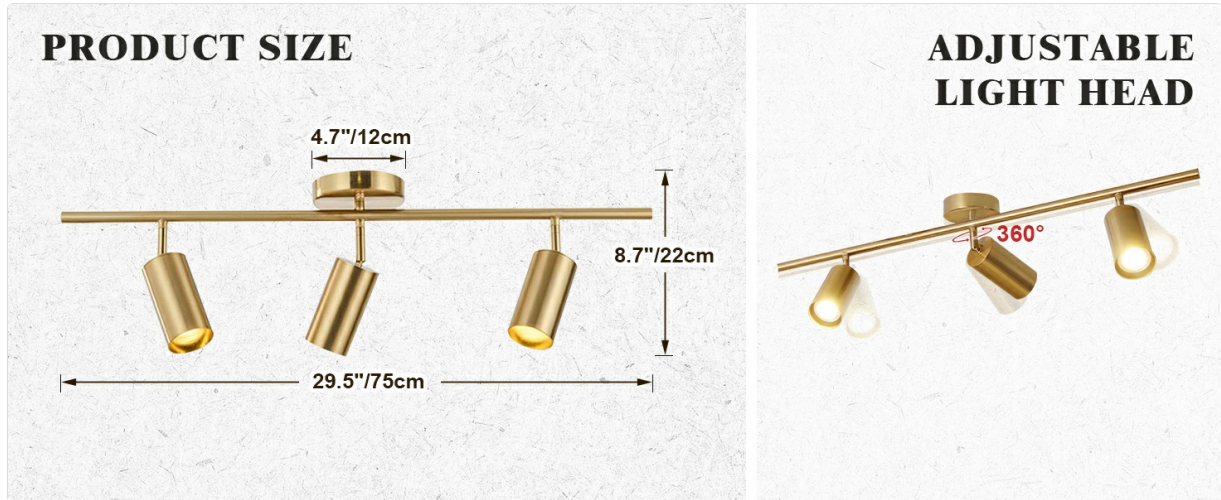


Figure 4: The fixture is compatible with various E26 PAR16 bulbs.

7. TROUBLESHOOTING

Problem	Possible Cause	Solution
Light does not turn on	<ol style="list-style-type: none">1. Power is off.2. Loose wire connection.3. Faulty bulb.	<ol style="list-style-type: none">1. Check circuit breaker/wall switch.2. Verify all wire connections are secure (power off first).3. Replace bulb.
Lights flicker	<ol style="list-style-type: none">1. Incompatible dimmer switch/bulbs.2. Loose bulb connection.	<ol style="list-style-type: none">1. Ensure dimmable LED bulbs are used with a compatible LED dimmer switch.2. Tighten bulbs in sockets.
Insufficient light output	<ol style="list-style-type: none">1. Low wattage bulbs.2. Incorrect light direction.	<ol style="list-style-type: none">1. Replace with higher lumen E26 LED bulbs (up to 5W per bulb).2. Adjust the light heads to illuminate desired areas.

If you encounter issues not listed here or solutions do not resolve the problem, please contact KCO Lighting customer support or a qualified electrician.

8. WARRANTY AND SUPPORT

KCO Lighting offers a **3-year warranty** on this product, covering manufacturing defects and malfunctions under normal use.

For warranty claims, technical assistance, or any questions regarding your KCO Lighting fixture, please contact our customer support team. Refer to your purchase documentation or the KCO Lighting website for contact details.

Please have your model number (FZ-KQ39-MNTL) and proof of purchase ready when contacting support.

