



Manuals.plus /

› SONGMICS /

› SONGMICS MAZIE Collection 30-Inch Folding Storage Ottoman Bench (Model ULSF47G) Instruction Manual

## SONGMICS ULSF47G

# SONGMICS MAZIE Collection 30-Inch Folding Storage Ottoman Bench (Model ULSF47G) Instruction Manual

Model: ULSF47G

## 1. IMPORTANT SAFETY INFORMATION

Please read and understand all safety instructions before using your SONGMICS MAZIE Collection Folding Storage Ottoman Bench. Failure to follow these instructions may result in injury or damage to the product.

- Always fully cover the ottoman with the lid before sitting on top.
- Do not place oversized items in the ottoman that prevent the lid from closing properly.
- Exercise caution to prevent tipping when the ottoman is in its folded state or when moving it.
- Always follow the assembly instructions for safe and proper use.
- Maximum Weight Recommendation: 660 Pounds (300 kg). Do not exceed this limit.

## 2. SETUP AND ASSEMBLY

The SONGMICS MAZIE Collection Folding Storage Ottoman Bench is designed for quick and easy assembly. No tools are required.

### Quick Assembly Steps:

1. Unfold the main body of the ottoman.
2. Insert the bottom panel to stabilize the structure.
3. Place the tufted lid securely on top of the ottoman.

To fold and store, simply remove the lid and bottom panel, then collapse the main body. It can be easily stored under a bed or in a closet.

# Easy to Set Up & Fold Up

Within just 4 steps



Figure 2.1: Visual guide for the quick 4-step assembly process of the folding storage ottoman.

## Setup Video:

Your browser does not support the video tag.

**Video 2.1:** This video demonstrates the simple folding and setup process of the storage ottoman, highlighting its convenience for storage and seating.

## 3. OPERATING AND USAGE

The SONGMICS MAZIE Collection Ottoman is a versatile piece of furniture designed for multiple uses in

various rooms.

### **Key Features and Uses:**

- **Convenient Storage:** With a total volume of 24 gallons (89 L), it provides ample space to neatly organize bed sheets, pillows, blankets, magazines, toys, and other household items.
- **Sturdy Seating:** Built with premium MDF panels and reinforced with metal corner guards on the lid, it supports up to 660 lb (300 kg), making it a reliable extra seat or footrest.
- **Comfortable Design:** The elegant tufting design, double-layer linen-look fabric, and high-resilience foam ensure lasting comfort for relaxation.
- **Versatile Placement:** Ideal for living rooms, bedrooms, entryways, or dressing rooms, serving as a storage box, footstool, end-of-bed bench, or even a temporary coffee table.

# Sit in Comfort



Double-Layer  
Linen-Look Fabric

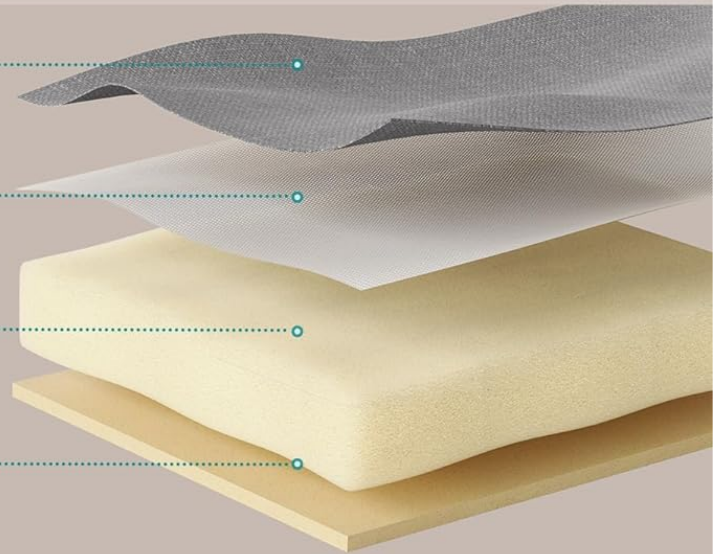


High-Resilience  
Foam



## Comfortable Seating

- 1 Linen-Look Fabric
- 2 Composite Layer
- 3 25D High-Resilience Foam
- 4 Quality MDF Panel



**Figure 3.1:** The ottoman provides comfortable seating and enhances room aesthetics.



**Figure 3.2:** The spacious interior offers convenient storage for various items.



**Figure 3.3:** Detailed layers of the ottoman's comfortable seating construction.

## 4. MAINTENANCE

To ensure the longevity and appearance of your SONGMICS MAZIE Collection Folding Storage Ottoman Bench, follow these simple maintenance guidelines:

- **Cleaning:** Wipe the linen-look fabric surface with a dry cloth to remove dust and light spills. Avoid using harsh chemicals or abrasive cleaners.
- **Spills:** For liquid spills, blot immediately with a clean, dry cloth. Do not rub.
- **General Care:** Keep the ottoman away from direct sunlight and heat sources to prevent fading and material degradation.

## 5. TROUBLESHOOTING

This section addresses common concerns you might encounter with your storage ottoman.

- **Stability Issues:** Ensure the bottom panel is fully inserted and flat against the base of the ottoman. Check that the main body is completely unfolded and all sides are aligned.
- **Lid Not Fitting Properly:** Verify that the ottoman's body is fully expanded and not collapsed on any side. Ensure no items inside are obstructing the lid's closure.
- **Creases from Folding:** Minor creases from the folded state are normal and will typically smooth out with use over time.

If you experience any issues not covered here, please refer to the contact information in the Support section.

## 6. SPECIFICATIONS

Feature	Detail
Model Number	ULSF47G
Product Dimensions (D x W x H)	15"D x 30"W x 15"H (38 x 76 x 38 cm)
Color	Light Gray
Top Material Type	Linen-Look Fabric
Base Material	MDF (Medium Density Fiberboard)
Frame Material	Engineered Wood
Shape	Rectangular
Seat Height	15 Inches
Product Care Instructions	Wipe with Dry Cloth
Storage Volume	24 Gallons (89 L)
Item Weight	12.3 Pounds
Maximum Weight Recommendation	660 Pounds (300 kg)
Required Assembly	Yes (Simple folding assembly)

# Stability Meets Strength

↓ ↓ ↓  
660 lb  
(300 kg)



Solid Support



Metal corner guards reinforce the lid

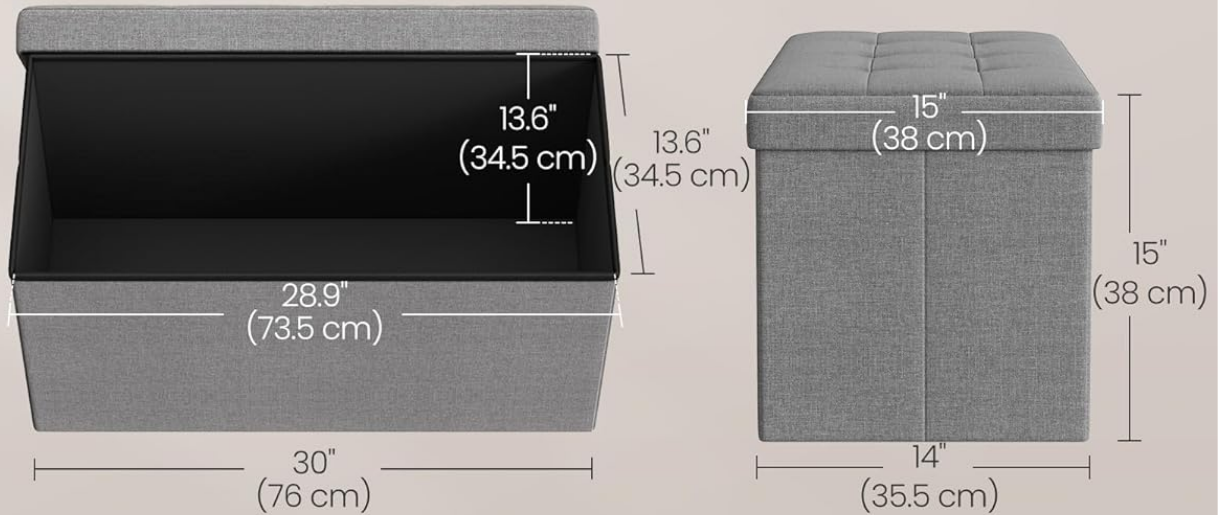
High Strength



Thick MDF panels ensure a high load capacity

Figure 6.1: Dimensions and load capacity of the SONGMICS MAZIE Collection Ottoman.

↓ ↓ ↓  
Max. Static Load Capacity  
**660 lb (300 kg)**



Note: Ensure that the size fits the width of your bed

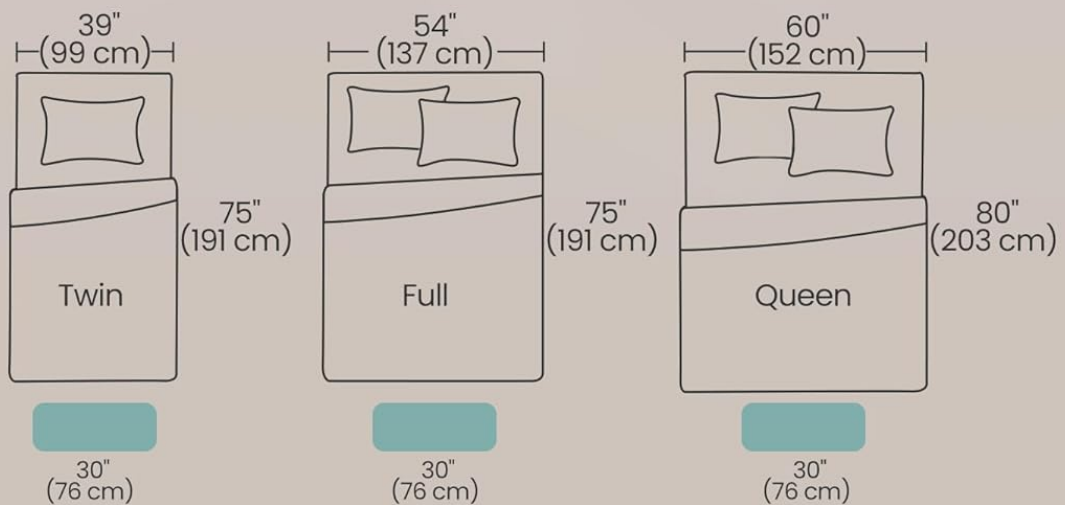


Figure 6.2: Illustration of the ottoman's stability and strength features.

## 7. WARRANTY AND SUPPORT

For specific warranty information regarding your SONGMICS MAZIE Collection Folding Storage Ottoman Bench, please refer to the product packaging or contact SONGMICS customer service directly. General return policies may apply as per the retailer's terms.

For additional support, product inquiries, or to explore other products, please visit the official SONGMICS Store.

