

SHNITPWR SNT-PS2410T

SHNITPWR 24V 10A 240W AC to DC Power Supply Instruction Manual

Brand: SHNITPWR | Model: SNT-PS2410T

1. INTRODUCTION AND SAFETY INFORMATION

This manual provides essential information for the safe and efficient operation of your SHNITPWR 24V 10A 240W AC to DC Power Supply. Please read all instructions carefully before installation and use. Retain this manual for future reference.

Important Safety Precautions:

- **High Voltage:** This unit contains high voltage. Do not remove the cover. Servicing should only be performed by qualified personnel.
- **Ventilation:** Ensure adequate ventilation around the power supply to prevent overheating. The metal case with perforations is designed for efficient heat dissipation.
- **Overload Protection:** Do not exceed the maximum output of 10A (240W). Overloading can damage the power supply.
- **Input Voltage Selection:** Always verify the input voltage switch (110V/220V) is set correctly for your region before connecting to AC power. Incorrect setting can cause damage.
- **Proper Wiring:** Ensure all connections are secure and correctly wired to prevent electrical hazards.

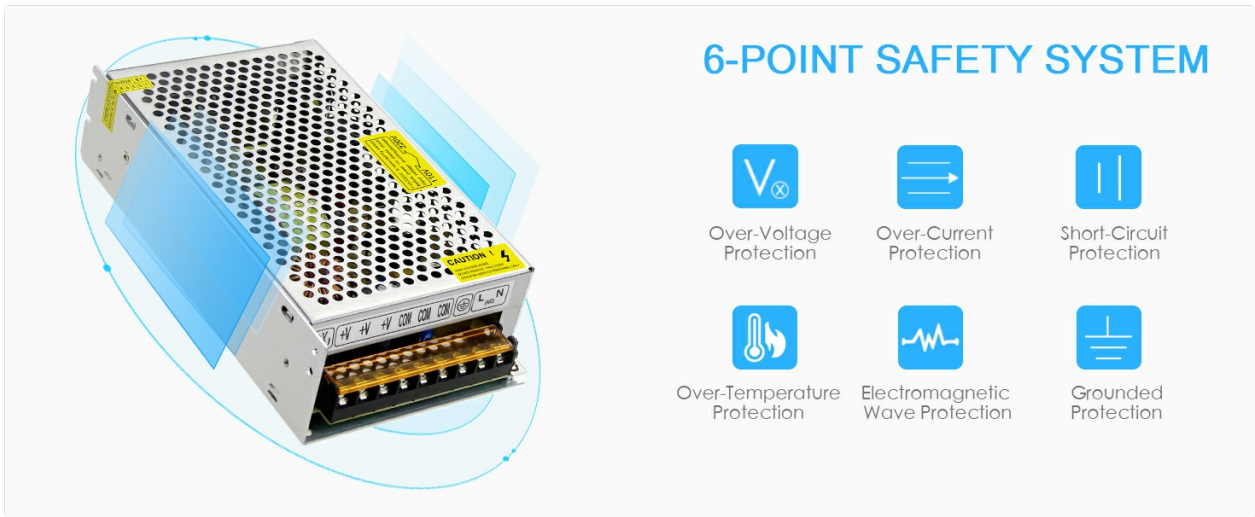


Figure 1: Built-in Safety Protections

2. PRODUCT OVERVIEW

The SHNITPWR SNT-PS2410T is a universal switching mode power supply designed to convert AC input to a stable 24V DC output. It features multiple output channels and various safety mechanisms for reliable performance.

Key Features:

- **Input:** AC 110V / 220V (selectable), 50 / 60Hz
- **Output:** DC 24V, Max 10A, 240W
- **Adjustable Output Voltage:** Can be regulated by 10% (from 21.6V to 26.4V)
- **Output Channels:** Three sets of output channels available
- **Safety Certifications:** FCC, CE, ROHS certified
- **Protections:** Automatic overload cut-off, over voltage cut-off, automatic thermal cut-off, short circuit protection
- **Cooling:** No built-in fan, silent running with efficient metal case heat dissipation



Figure 2: Product Dimensions



Figure 3: Key Features Overview

3. SETUP AND INSTALLATION

Follow these steps for proper installation and connection of the power supply.

3.1 Input Voltage Selection

Before connecting the power supply to any AC source, ensure the 110V/220V switch is set to the correct voltage for your region. For use in the USA, set the switch to 110V.

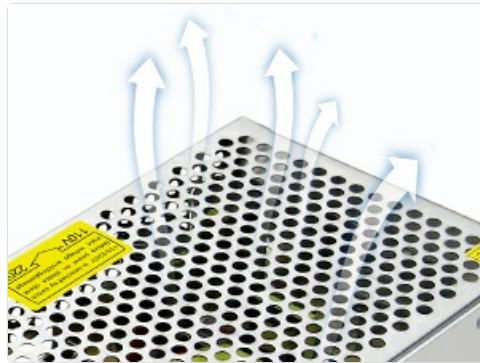


Figure 4: Input Voltage Selector Switch

3.2 Wiring Connections

The power supply features screw terminals for secure wiring. Use a Phillips screwdriver to loosen the screws, insert the stripped wires, and tighten securely. Ensure no stray wire strands are present that could cause a short circuit.

- **AC Input:** Connect your AC Live (L), Neutral (N), and Ground () wires to the corresponding terminals.
- **DC Output:** Connect your DC 24V positive (+V) and negative (-V) wires to the respective terminals. The unit provides multiple +V and -V terminals for connecting multiple devices.

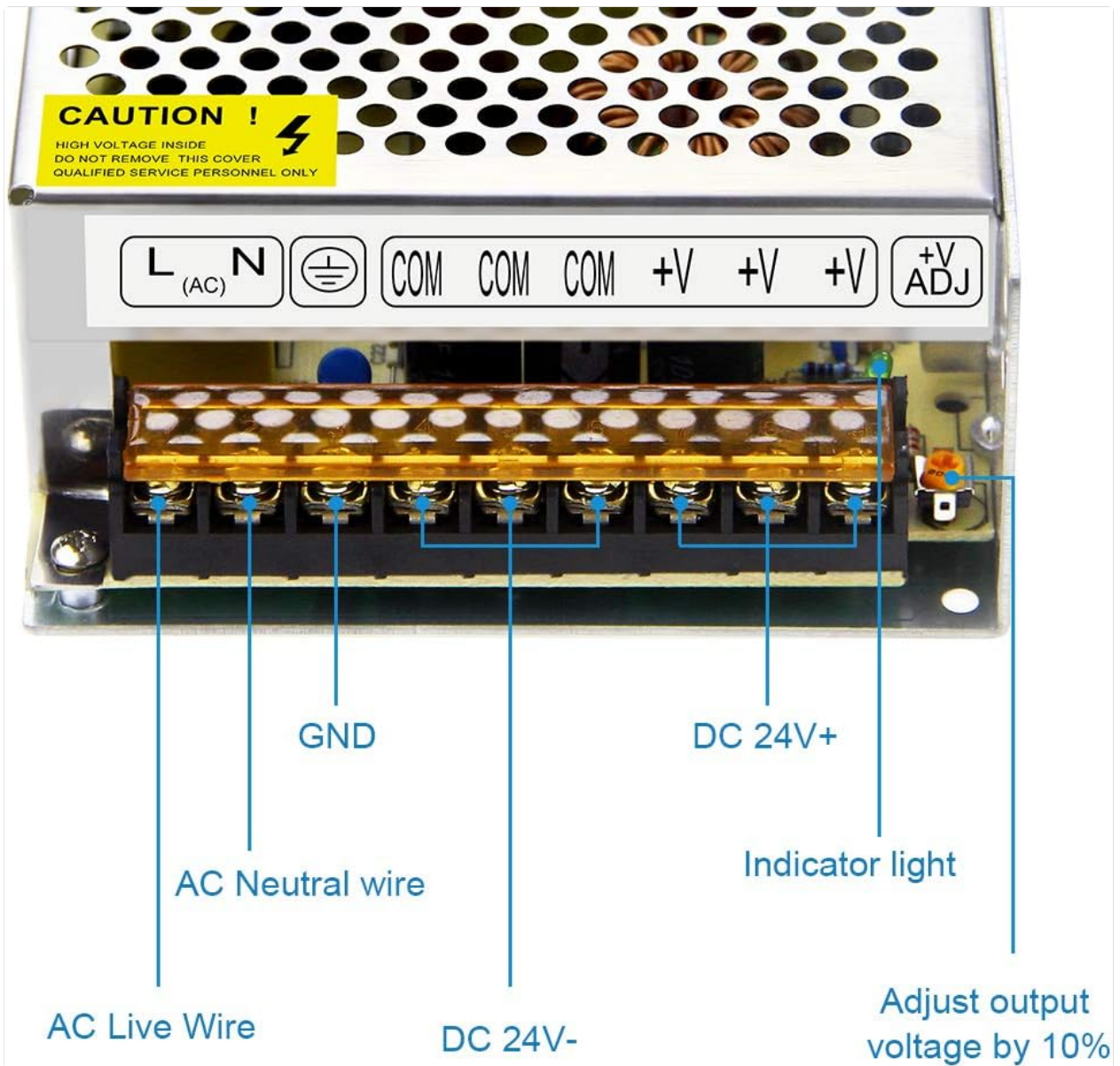


Figure 5: Terminal Block Wiring Diagram



Figure 6: DC Output Terminals

Note: Power cords and extension wires are not included with this product. You will need to provide appropriate wiring for your application.

Power cords and extension wires are not included in the package.



Figure 7: Power Cords Not Included

4. OPERATING INSTRUCTIONS

Once properly installed and wired, the power supply is ready for operation.

4.1 Power On/Off

Connect the AC input to a power source. A green indicator light will illuminate, signifying that the unit is receiving power and operating correctly.

4.2 Output Voltage Adjustment

The default output voltage is 24V DC. It can be finely adjusted by approximately 10% (from 21.6V to 26.4V) using the small potentiometer (VR1) located near the output terminals. Use a small screwdriver to carefully turn the adjustment screw to achieve the desired voltage.

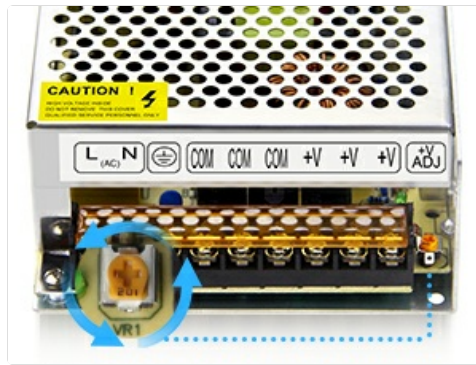


Figure 8: Output Voltage Adjustment

5. MAINTENANCE

The SHNITPWR power supply is designed for low maintenance. It operates silently without a built-in fan, relying on its perforated metal casing for heat dissipation.

- **Cleaning:** Periodically inspect the casing for dust accumulation. Use a soft, dry cloth to clean the exterior. Do not use liquid cleaners or allow moisture to enter the unit.
- **Ventilation:** Ensure the ventilation holes on the casing remain unobstructed to maintain optimal heat dissipation.
- **Inspection:** Regularly check all wiring connections for tightness and signs of wear or damage.



Figure 9: Heat Dissipation Design

6. TROUBLESHOOTING

If you encounter any issues with your power supply, consider the following:

- **No Power Indicator:** Check the AC input connection and ensure the 110V/220V switch is correctly set. Verify the power source is active.
- **Device Not Powering On:** Confirm that your device requires 24V DC and that its current draw does not exceed 10A. Check the DC output wiring for correct polarity and secure connections.
- **Intermittent Power:** Inspect all wiring for loose connections or damage. Ensure the power supply is not overloaded.

For persistent issues or complex problems, please contact SHNITPWR customer support for assistance.

7. SPECIFICATIONS

Feature	Specification
---------	---------------

Feature	Specification
Input Voltage	AC 110V / 220V (selectable), 50 / 60Hz
Output Voltage	DC 24V
Max Output Current	10 Amps
Max Output Power	240 Watts
Adjustable Voltage Range	21.6V to 26.4V (10% adjustment)
Product Dimensions	7.87 x 4.41 x 1.97 inches (1.96"D x 4.33"W x 1.96"H)
Item Weight	1.37 pounds
Certifications	CE, FCC, RoHS
Model Number	SNT-PS2410T
GTIN / UPC	680904415782, 768659425352, 768641517911

8. COMPATIBILITY

This 24V DC power supply is suitable for a wide range of electronic devices that require 24V DC and draw less than 10 Amps (240 Watts).

Common Applications Include:

- 5050 3528 24V LED Strip Lights
- Wireless Routers, Home Gateways
- 3D Printers, LED Drivers
- CCTV Security Systems
- LCD Monitors
- Webcam Routers
- Audio/Video Power Supply
- Other 24V devices less than 240W



Figure 10: Wide Application Scenarios

9. WARRANTY AND SUPPORT

SHNITPWR is committed to providing high-quality products. While specific warranty details are not provided in this document, we encourage customers to contact us directly for any product-related inquiries or issues.

If you encounter any issues or have questions regarding your SHNITPWR power supply, please contact our customer support team. We are dedicated to resolving your questions promptly.

For support, please visit the [SHNITPWR Store on Amazon](#) or refer to the contact information provided with your purchase.