

Enga ARM-C-024

Enga Brass 12-Inch Ceiling Mount Shower Arm User Manual

Model: ARM-C-024 | Finish: Matte Black

INTRODUCTION

Thank you for choosing the Enga Brass 12-Inch Ceiling Mount Shower Arm. This manual provides essential information for the safe and proper installation, operation, and maintenance of your new shower arm. Please read these instructions carefully before installation and retain them for future reference.

This shower arm is designed to provide a stable and aesthetically pleasing extension for your rain shower head, ensuring optimal water flow and a comfortable showering experience. It is constructed from high-quality brass for durability and features a matte black finish.

PRODUCT OVERVIEW





Figure 1: Enga Brass 12-Inch Ceiling Mount Shower Arm (Matte Black)

Key Features:

- **Material:** Full extra thick brass construction for durability and corrosion resistance.
- **Finish:** Matte Black, providing a modern and elegant look.
- **Connection:** 1/2-inch NPT Standard Connection, compatible with most standard shower systems.
- **Length:** 12 inches, ideal for ceiling-mounted rain shower heads.

- **Compatibility:** Suitable for 8-inch, 10-inch, 12-inch, and 16-inch rain shower heads.

Material Comparison:

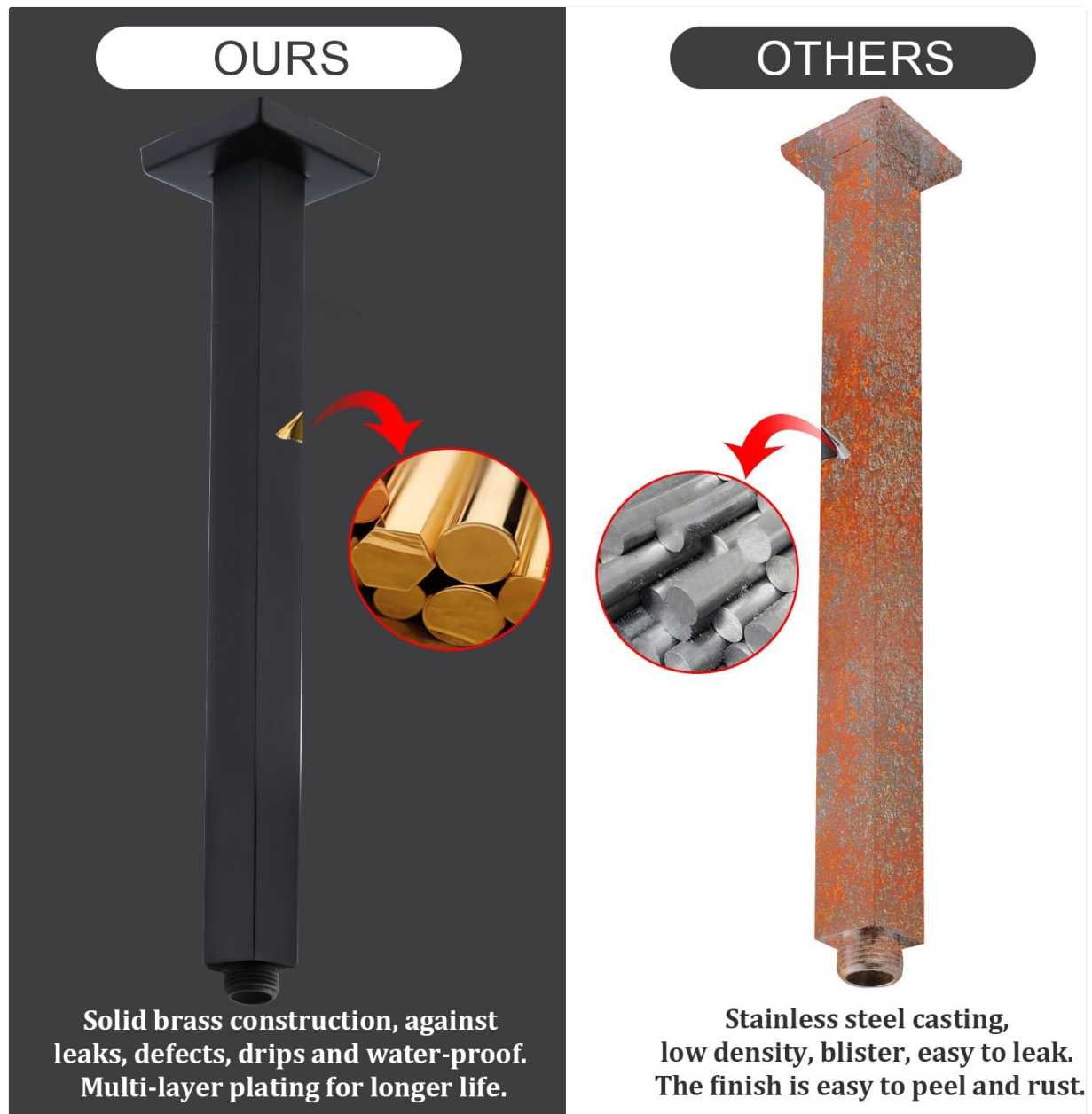


Figure 2: The Enga shower arm features solid brass construction, offering superior resistance to leaks, defects, drips, and rust compared to hollow stainless steel alternatives.

Your browser does not support the video tag.

Video 1: This video demonstrates the solid brass construction of the Enga shower arm compared to a stainless steel alternative, highlighting its durability and resistance to corrosion.

SETUP AND INSTALLATION

The Enga Brass 12-Inch Ceiling Mount Shower Arm is designed for easy and fast installation, typically requiring no specialized tools beyond basic plumbing supplies like plumber's tape.

Before You Begin:

- Ensure the main water supply to your shower area is turned off.
- Gather necessary tools: plumber's tape (PTFE tape).

- Confirm your existing plumbing has a 1/2-inch NPT connection in the ceiling.

Installation Steps:

1. **Prepare the Ceiling Connection:** Ensure the existing pipe extending from the ceiling is clean and free of debris.
2. **Apply Plumber's Tape:** Wrap plumber's tape clockwise around the threaded end of the shower arm that will connect to the ceiling pipe. Apply 3-5 layers for a secure, leak-proof seal.
3. **Attach Shower Arm to Ceiling:** Carefully thread the shower arm into the ceiling pipe. Hand-tighten first, then use a wrench if necessary, being careful not to overtighten. The shower arm should be securely mounted and vertical.
4. **Position the Flange:** Slide the square decorative flange up the shower arm until it sits flush against the ceiling, covering the connection point.
5. **Attach Shower Head:** Apply plumber's tape to the lower threaded end of the shower arm. Attach your rain shower head (sold separately) to this end, hand-tightening first, then gently with a wrench if needed.
6. **Test for Leaks:** Turn on the main water supply and check all connections for leaks. If leaks occur, turn off the water, reapply plumber's tape, and re-tighten the connections.

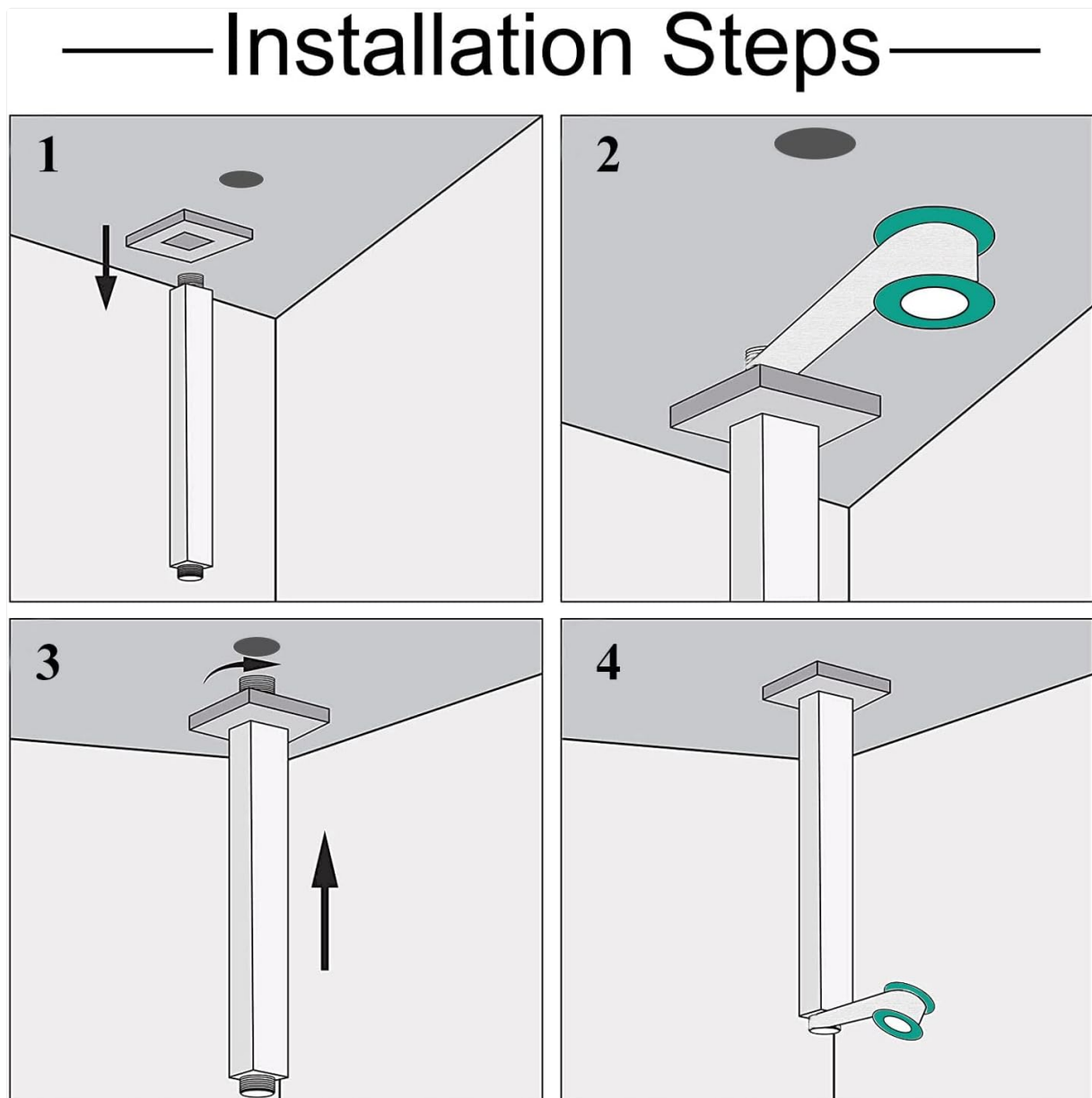


Figure 3: Visual guide for the installation process of the ceiling mount shower arm.

Your browser does not support the video tag.

Video 2: This video provides a step-by-step visual guide for installing the Enga ceiling mount shower arm.

Your browser does not support the video tag.

Video 3: This video showcases the 12-inch square ceiling mounted shower arm and flange in an installed setting, demonstrating its appearance and function.

OPERATING INSTRUCTIONS

The Enga Brass 12-Inch Ceiling Mount Shower Arm functions as an extension for your rain shower head. Its operation is directly tied to the shower head and the shower system it is connected to.

- Once installed, the shower arm directs water from your ceiling plumbing to the attached rain shower head.
- To operate, simply turn on your shower system's water supply as you normally would.
- Ensure your chosen rain shower head is compatible with a 1/2-inch G thread connection, which is the standard output for this shower arm.



Figure 4: The 12-inch shower arm provides ample clearance for large rain shower heads, enhancing the showering experience.

CARE AND MAINTENANCE

To maintain the matte black finish and ensure the longevity of your Enga shower arm, follow these simple cleaning guidelines:

- **Regular Cleaning:** Wipe the shower arm and flange regularly with a soft, damp cloth to remove water spots and soap residue.
- **Mild Cleaners:** For more stubborn spots, use a mild soap solution or a non-abrasive bathroom cleaner. Always test the cleaner on an inconspicuous area first.
- **Avoid Harsh Chemicals:** Do not use abrasive cleaners, scouring pads, ammonia-based products, or cleaners containing bleach or alcohol, as these can damage the matte black finish.
- **Rinse and Dry:** After cleaning, rinse thoroughly with clean water and dry with a soft cloth to prevent water spots.

TROUBLESHOOTING

If you encounter any issues with your Enga Brass 12-Inch Ceiling Mount Shower Arm, refer to the following common problems and solutions:

- **Issue: Water Leakage at Connections**
Solution: Turn off the water supply. Disassemble the leaking connection. Remove old plumber's tape and reapply 3-5 layers of new plumber's tape clockwise around the threads. Re-tighten the connection firmly, but do not overtighten.
- **Issue: Low Water Pressure**
Solution: Ensure your main water supply is fully open. Check the shower head for any clogs or mineral buildup that might restrict flow. Some shower arms may contain flow restrictors; however, this product is designed for optimal flow. If you suspect a flow restrictor is present and causing issues, consult a professional plumber.
- **Issue: Shower Arm Feels Loose**
Solution: Turn off the water supply. Gently tighten the shower arm connection to the ceiling pipe. Ensure the decorative flange is properly seated against the ceiling.

If problems persist after attempting these solutions, please contact Enga customer support for further assistance.

SPECIFICATIONS

Attribute	Detail
Brand	Enga
Model Number	ARM-C-024
Material	Brass
Finish Type	Matte Black
Installation Type	Ceiling Mounted

Length	12 Inches (30cm)
Flange Dimensions	2.56 Inches (6.5cm) Square
Inlet Connection	1/2-inch NPT Standard Connection
Outlet Connection	1/2-inch G Standard Connection
Item Weight	15.5 ounces
UPC	823544909000

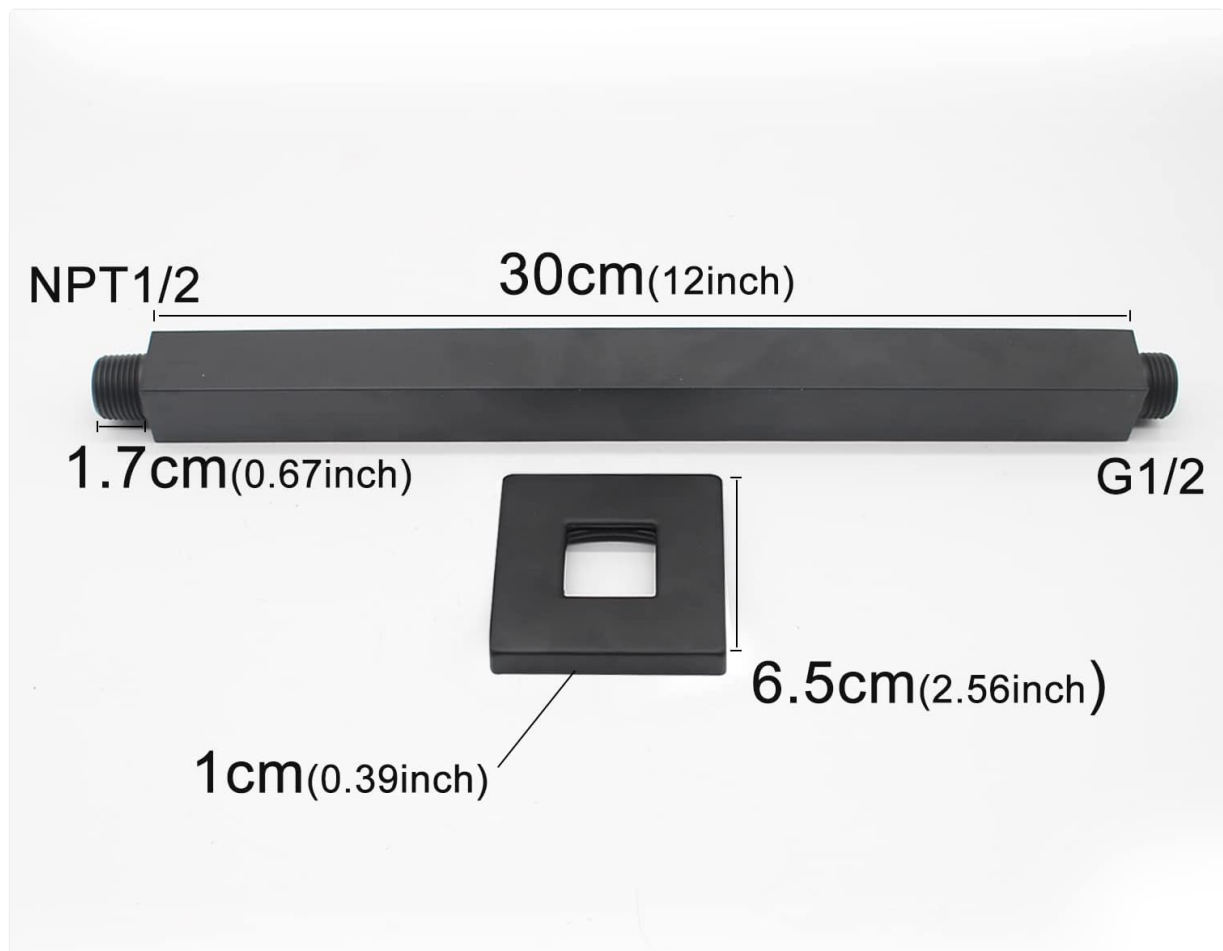


Figure 5: Detailed dimensions of the shower arm and flange.

NPT 1/2

Longer thread for ceiling mount

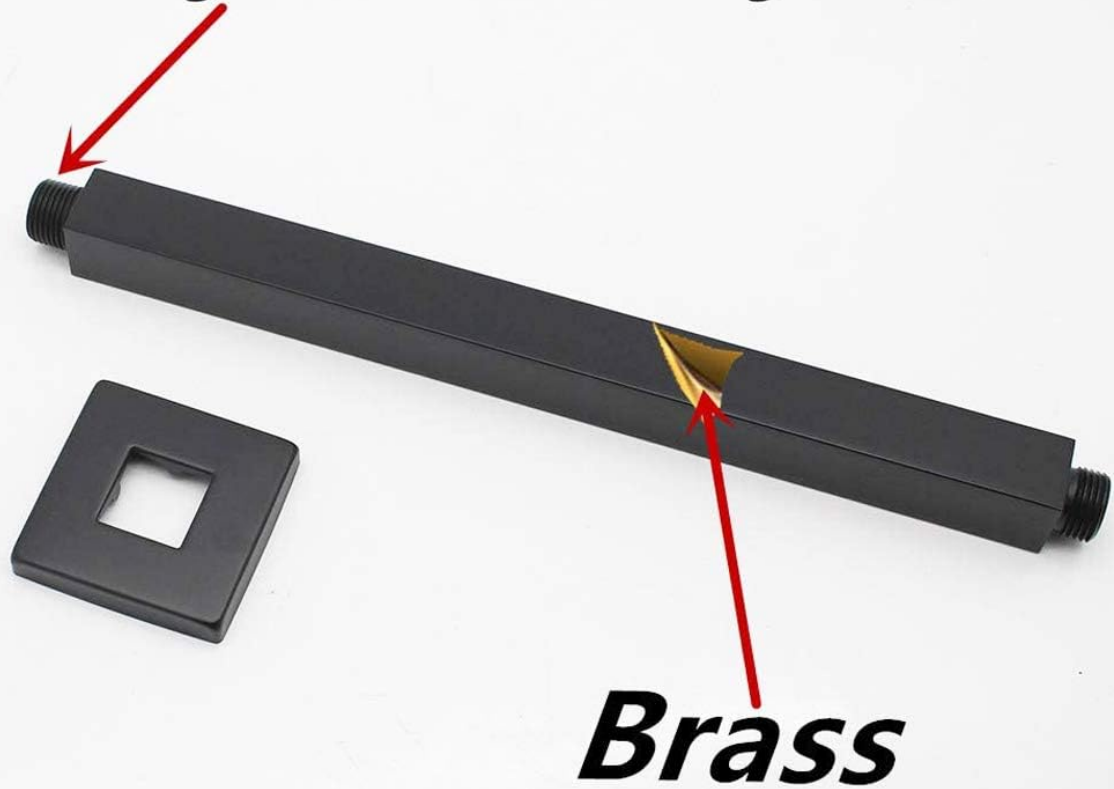


Figure 6: Close-up view of the NPT 1/2 thread and the solid brass construction.

WARRANTY AND SUPPORT

Warranty Information:

Specific warranty details are not provided in the product information. Please refer to the product packaging or contact Enga customer service for information regarding warranty coverage.

Customer Support:

For any questions, concerns, or assistance with your Enga Brass 12-Inch Ceiling Mount Shower Arm, please contact Enga customer support through the retailer where the product was purchased or visit the official Enga store page.

