

Manuals+

[Q & A](#) | [Deep Search](#) | [Upload](#)

manuals.plus /

› [Villeroy & Boch](#) /

› [Villeroy & Boch ViConnect 9219 Handrail Fastening Element Instruction Manual](#)

Villeroy & Boch 92198300

Villeroy & Boch ViConnect 9219 Handrail Fastening Element

INSTRUCTION MANUAL - MODEL 92198300

1. Introduction

This manual provides essential information for the proper installation, use, and maintenance of your Villeroy & Boch ViConnect 9219 Handrail Fastening Element. This fastening element is designed for secure mounting of handrails to specific Villeroy & Boch toilet elements, specifically models 922461 and 922465. Please read these instructions thoroughly before beginning installation to ensure safety and optimal performance of the product.

2. Safety Information

- **Professional Installation Recommended:** Installation should be performed by qualified personnel familiar with plumbing and structural mounting procedures.
- **Read All Instructions:** Ensure you understand all steps before proceeding with installation.
- **Use Correct Tools:** Employ appropriate tools for each step to prevent damage to the product or injury.
- **Verify Compatibility:** This fastening element is specifically designed for Villeroy & Boch toilet elements 922461 and 922465. Do not attempt to use it with incompatible systems.
- **Secure Fastening:** Ensure all fasteners are tightened securely according to instructions to prevent instability.
- **Inspect for Damage:** Before installation, check all components for any signs of damage. Do not install damaged parts.

3. Package Contents

Carefully unpack the product and verify that all components are present and undamaged. The package should contain:

- Villeroy & Boch ViConnect 9219 Handrail Fastening Element (Model 92198300)
- Mounting Hardware (screws, anchors, etc., as required for installation)
- Instruction Manual (this document)





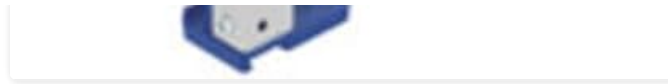


Figure 1: Overview of the Villeroy & Boch ViConnect 9219 Handrail Fastening Element.

4. Installation

This fastening element is designed for mounting on the left side of Villeroy & Boch toilet elements 922461 and 922465. Ensure the toilet element is securely installed before proceeding.

Required Tools (Not Included):

- Drill
- Appropriate drill bits for wall material
- Level
- Measuring tape
- Screwdriver (appropriate type for included hardware)
- Pencil or marker

Installation Steps:

1. **Prepare the Mounting Area:** Identify the designated mounting points on the left side of your Villeroy & Boch toilet element (models 922461 or 922465). Ensure the area is clean and free from obstructions.
2. **Position the Fastening Element:** Carefully align the fastening element with the pre-drilled holes or marked positions on the toilet element. Use a level to ensure the element is perfectly vertical.
3. **Mark Drill Points (if necessary):** If your toilet element does not have pre-drilled holes for this specific fastening element, use the element as a template to mark the precise drilling locations.
4. **Drill Holes:** Using the appropriate drill bit for your wall material and the marked points, carefully drill the necessary holes. Ensure the depth is sufficient for the provided anchors/screws.
5. **Insert Anchors:** If required by your wall type, insert wall anchors into the drilled holes.
6. **Secure the Fastening Element:** Position the fastening element over the holes and secure it using the provided screws and a screwdriver. Tighten all screws firmly but do not overtighten, which could strip the threads or damage the material.
7. **Verify Stability:** After installation, gently test the fastening element to ensure it is rigidly attached and does not wobble.
8. **Attach Handrail:** Once the fastening element is securely installed, you can proceed with attaching the compatible handrail according to its specific instructions.





Figure 2: View of the fastening element, highlighting potential mounting points.

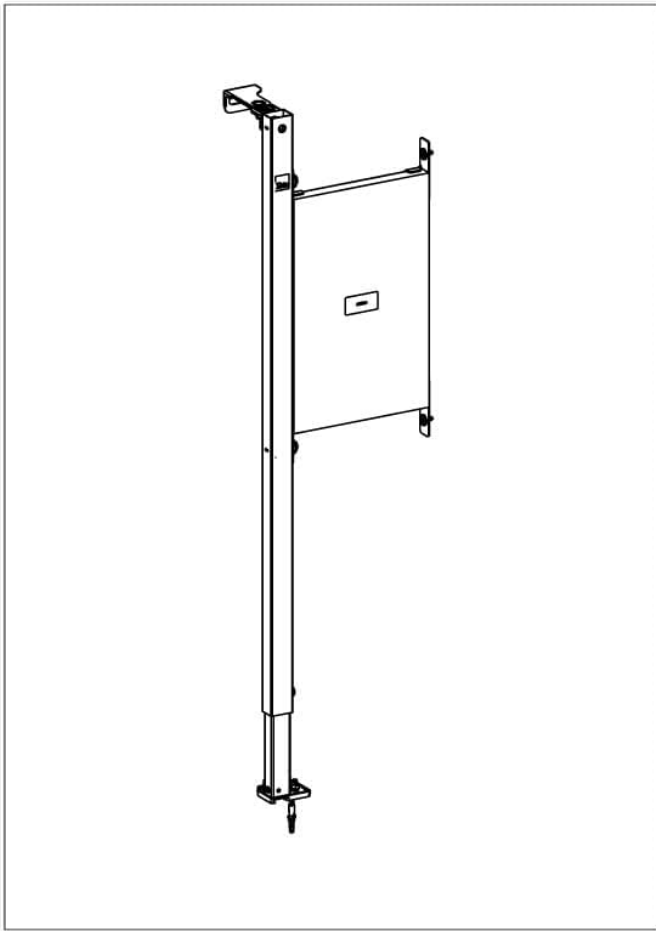


Figure 3: Technical diagram illustrating the dimensions and structure of the fastening element.

5. Operation

The Villeroy & Boch ViConnect 9219 Handrail Fastening Element is a passive component. Once correctly installed, its function is to provide a stable and secure anchor point for a compatible handrail. No active operation is required from the user after installation.

6. Maintenance

To ensure the longevity and continued safety of your fastening element:

- **Regular Cleaning:** Clean the visible parts of the fastening element with a soft, damp cloth and mild, non-abrasive cleaner. Avoid harsh chemicals that could damage the finish.
- **Periodic Inspection:** Periodically check all mounting screws and connections to ensure they remain tight. Retighten if any looseness is detected.
- **Check for Damage:** Inspect the element for any signs of corrosion, cracks, or other damage. If damage is found, contact Villeroy & Boch support for advice.

7. Troubleshooting

If you encounter issues with the fastening element, consider the following:

- **Element is Loose:** Ensure all mounting screws are properly tightened. If the issue persists, the wall anchors or mounting surface may be compromised. Consult a professional.
- **Handrail Does Not Fit:** Verify that the handrail you are attempting to attach is compatible with the Villeroy & Boch

ViConnect 9219 Fastening Element.

- **Visible Damage:** If the fastening element itself is damaged, it may need replacement. Do not attempt to repair structural damage.

8. Specifications

Model Number	92198300
Brand	Villeroy & Boch
Product Type	Handrail Fastening Element
Compatibility	Villeroy & Boch Toilet Elements 922461, 922465
Mounting Side	Left
Material	Alloy Steel
Depth	55 mm
Height	1150 mm
Length	310 mm
Item Weight	15.86 pounds (approx. 7.19 kg)
Package Dimensions	47.24 x 11.81 x 7.87 inches (approx. 120 x 30 x 20 cm)
Special Feature	Easy to Install

9. Warranty and Support

For warranty information, technical support, or to inquire about replacement parts, please contact Villeroy & Boch customer service. Refer to the official Villeroy & Boch website or your purchase documentation for specific contact details and warranty terms applicable to your region.

When contacting support, please have your product model number (92198300) and date of purchase readily available.

