

Manuals+

[Q & A](#) | [Deep Search](#) | [Upload](#)

Manuals.plus /

› **Dornbracht** /

› Dornbracht Tara Ultra Single Lever Pull-Down Mixer Faucet 33870875-99 User Manual

Dornbracht 33870875-99

Dornbracht Tara Ultra Single Lever Pull-Down Mixer Faucet

MODEL: 33870875-99

User Manual

1. Introduction

This manual provides comprehensive instructions for the installation, operation, maintenance, and troubleshooting of your Dornbracht Tara Ultra Single Lever Pull-Down Mixer Faucet, model 33870875-99. Please read this manual thoroughly before installation and use to ensure proper function and longevity of your product. Keep this manual for future reference.



Image 1: Dornbracht Tara Ultra Single Lever Pull-Down Mixer Faucet (Dark Platinum Matt). This image displays the complete faucet unit, highlighting its elegant design and Dark Platinum Matt finish.

2. Safety Information

- Always turn off the main water supply before beginning any installation or maintenance work.
- Wear appropriate personal protective equipment, such as safety glasses and gloves, during installation.
- Ensure all connections are secure and watertight to prevent leaks.
- If you are unsure about any part of the installation process, consult a qualified plumber.
- Do not use abrasive cleaners or harsh chemicals on the faucet's finish, as this may cause damage.

3. Package Contents

Please verify that all components are present before starting installation:

- Dornbracht Tara Ultra Single Lever Mixer Faucet

- Deck Plate
- Installation Hardware (nuts, washers, gaskets)
- Pull-Down Sprayer with hose
- Counterweight for pull-down hose
- User Manual (this document)

4. Setup and Installation

The Dornbracht Tara Ultra faucet is designed for single-hole deck mount installation. Refer to the diagrams below for proper dimensions and assembly sequence.

4.1. Pre-Installation Checks

- Ensure your sink or countertop has a single mounting hole with a diameter of approximately 35 mm (1 3/8 inches).
- Verify that there is sufficient clearance under the sink for the faucet body and connections.
- Gather necessary tools: adjustable wrench, screwdriver, plumber's putty or silicone sealant, flashlight.

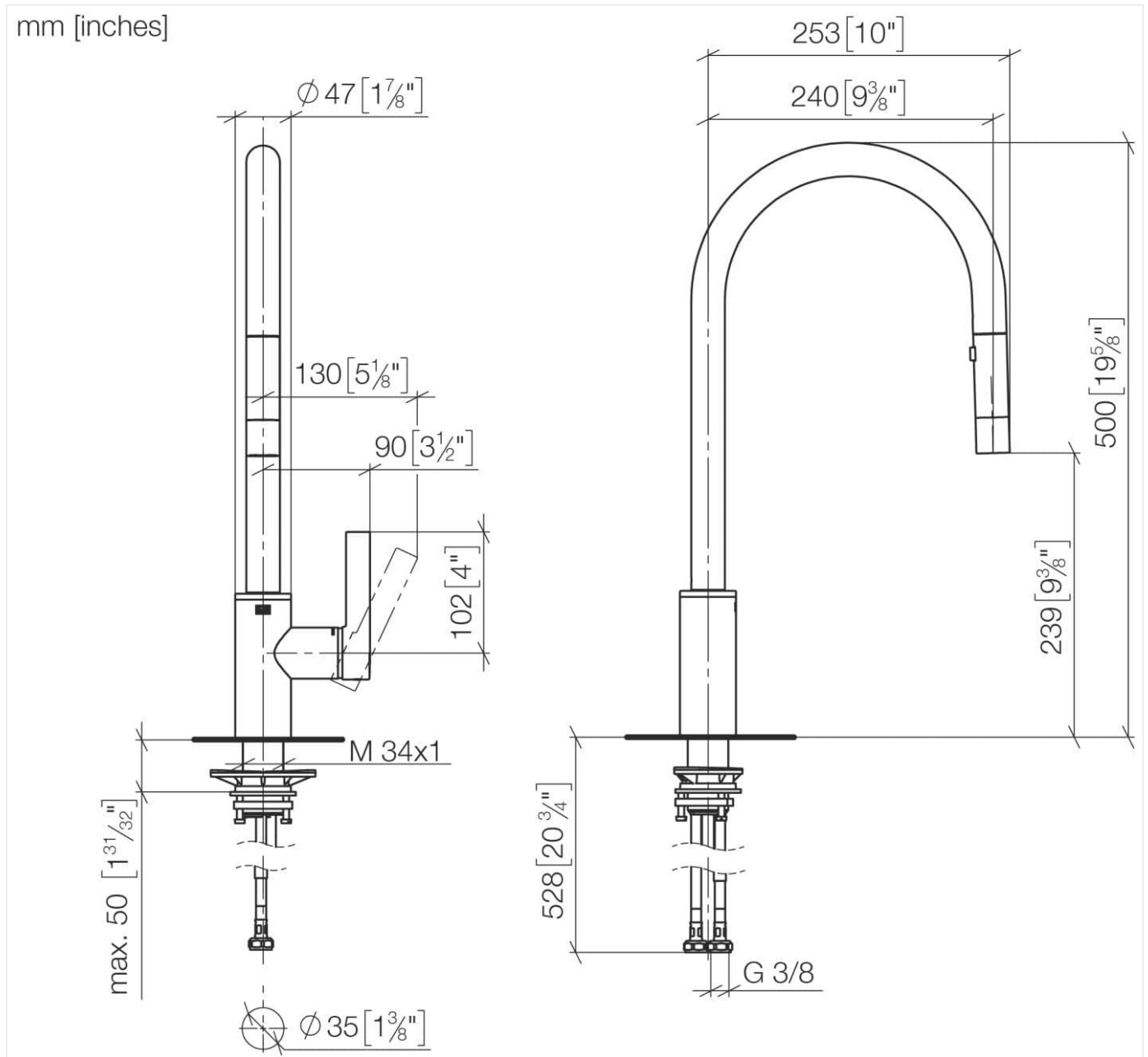


Image 2: Dimensional Drawing. This diagram provides precise measurements in both millimeters and inches, indicating the faucet's height,

reach, base diameter, and required mounting hole size (approximately 35mm or 1 3/8 inches).

4.2. Installation Steps

1. **Turn off Water Supply:** Locate the main water shut-off valves (hot and cold) under your sink or for your entire home and turn them off.
2. **Prepare Mounting Hole:** Clean the area around the mounting hole on the sink or countertop. Apply a thin bead of plumber's putty or silicone sealant around the base of the faucet or the deck plate (if used) to create a watertight seal.
3. **Mount Faucet Body:** Insert the faucet body through the mounting hole. From underneath the sink, secure the faucet using the provided washer and mounting nut. Hand-tighten first, then use a wrench to snug it firmly, ensuring the faucet is properly aligned.
4. **Connect Water Lines:** Connect the hot and cold water supply lines from your wall stops to the corresponding inlets on the faucet. Use an adjustable wrench to tighten connections, but do not overtighten.
5. **Install Pull-Down Hose and Counterweight:** Feed the pull-down sprayer hose through the faucet spout. Attach the counterweight to the hose at the specified location (usually marked or approximately 6-8 inches from the bottom of the loop) to ensure smooth retraction.
6. **Connect Sprayer Hose:** Connect the pull-down sprayer hose to the quick-connect fitting or threaded connection at the bottom of the faucet body. Ensure a secure connection.
7. **Test for Leaks:** Slowly turn on the main water supply. Check all connections for leaks. If any leaks are detected, tighten the connections as needed.
8. **Flush Faucet:** Remove the sprayer head and turn on the faucet to flush out any debris from the water lines. Let the water run for a few minutes, then reattach the sprayer head.

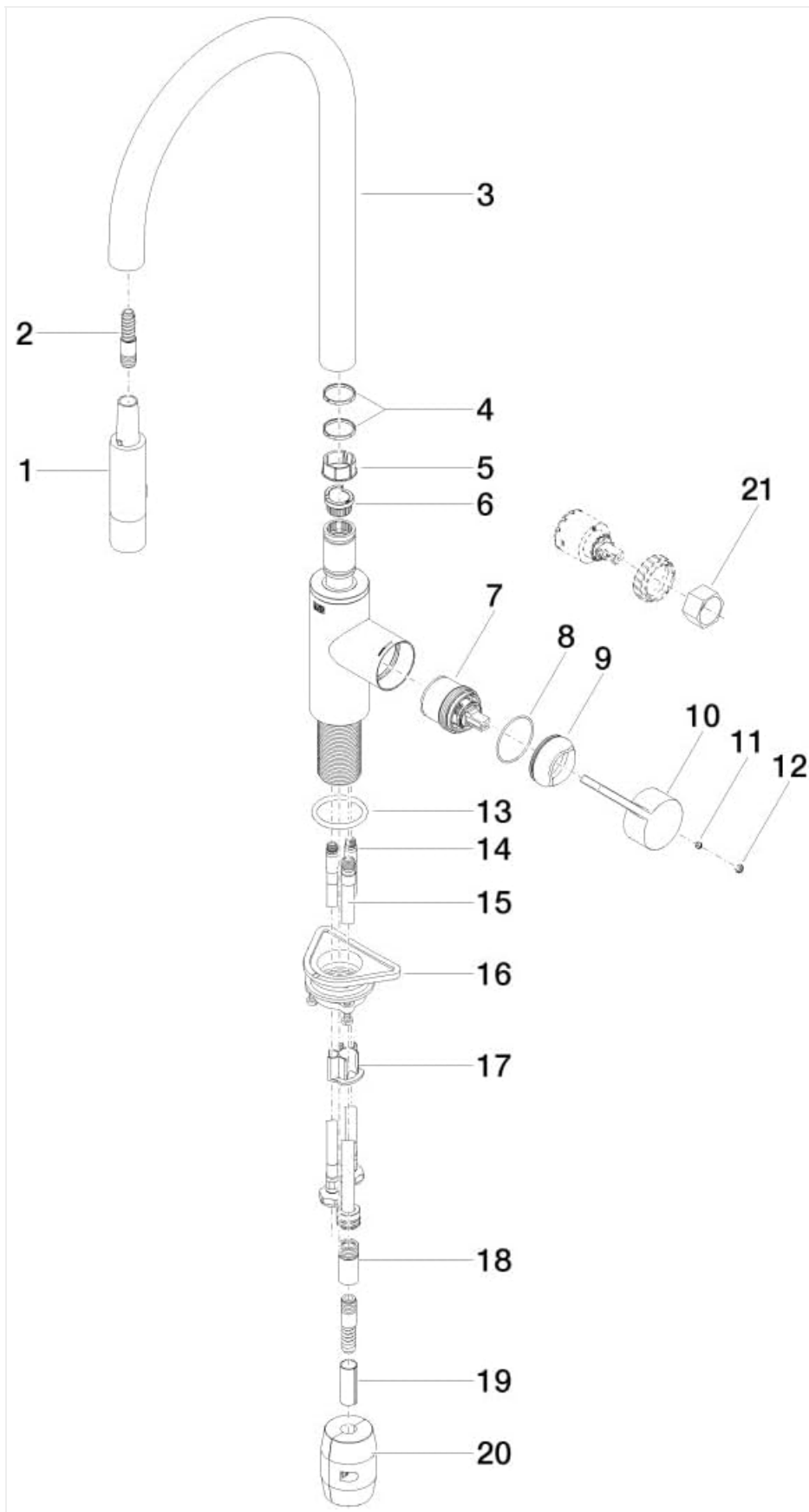


Image 3: Exploded View Diagram. This illustration shows the individual components of the faucet and their assembly order, aiding in installation and identifying parts for maintenance. Key components are numbered for reference.

5. Operating Instructions

The Dornbracht Tara Ultra features a single lever for controlling both water flow and temperature, and a convenient pull-down sprayer.

- **Water Flow:** Lift the lever handle upwards to increase water flow. Push it downwards to decrease flow and turn off the water.
- **Temperature Control:** Move the lever handle to the left for hot water and to the right for cold water. Adjust the position between left and right to achieve the desired water temperature.
- **Pull-Down Sprayer:** Grasp the sprayer head and pull it down from the spout. The hose will extend, allowing you to direct water where needed. After use, release the sprayer head, and the counterweight will retract it back into the spout.
- **Sprayer Modes:** (If applicable) Some models may have buttons on the sprayer head to switch between spray and stream modes. Press the button to toggle between modes.



Image 4: Faucet in Use. This image demonstrates the faucet installed in a kitchen environment, showcasing its functionality and aesthetic integration. The pull-down sprayer is extended, illustrating its practical application.

6. Maintenance and Cleaning

Regular cleaning and maintenance will help preserve the finish and functionality of your Dornbracht faucet.

- **Cleaning the Finish:** Clean the Dark Platinum Matt finish with a soft, damp cloth and mild soap. Rinse thoroughly with clean water and dry with a soft cloth to prevent water spots.
- **Avoid Harsh Cleaners:** Do not use abrasive cleaners, scouring pads, ammonia-based cleaners, or any cleaners containing bleach, acids, or alcohol, as these can damage the finish.
- **Aerator Maintenance:** If water flow decreases, the aerator may be clogged. Unscrew the aerator from the tip of the spout, clean any debris or mineral deposits, and reattach.
- **Hose Maintenance:** Periodically check the pull-down hose for kinks or wear. Ensure the counterweight moves freely.

7. Troubleshooting

Problem	Possible Cause	Solution
Low Water Flow	Clogged aerator; partially closed shut-off valve; debris in water lines.	Clean aerator. Ensure shut-off valves are fully open. Flush water lines.
Leaks at Faucet Base	Loose mounting nut; improper sealant application.	Tighten mounting nut. Reapply plumber's putty or silicone if necessary.
Leaks from Connections	Loose supply line connections.	Tighten supply line connections. Check for damaged washers.
Sprayer Does Not Retract Fully	Counterweight improperly positioned or obstructed; hose kinked.	Adjust counterweight position. Clear any obstructions. Straighten hose.
Inconsistent Water Temperature	Issue with water heater or supply.	Consult a plumber or check water heater settings.

If you encounter issues not listed here or if the suggested solutions do not resolve the problem, please contact Dornbracht customer support.

8. Specifications

Feature	Detail
Brand	Dornbracht
Model Name	TARA ULTRA
Part Number	33870875-99
Mounting Type	Deck Mount
Installation Type	Single Hole
Hole Count	1
Number of Handles	1 (Single Lever)
Finish Type	Dark Platinum Matt
Material	Brass (Handle), Stainless Steel (General)
Spout Design	Tall, slim spout with pull-down function

Feature	Detail
Maximum Flow Rate	10.4 Liters Per Minute
Item Weight	3.84 Kilograms (8.45 pounds)
Product Dimensions	3.74 x 31.89 x 15.16 inches (approximate)
Included Components	Deck Plate, Installation Hardware, Sprayer

9. Warranty and Support

Dornbracht products are manufactured to high-quality standards and come with a manufacturer's warranty. For specific warranty terms and conditions, please refer to the warranty card included with your product or visit the official Dornbracht website.

For technical assistance, replacement parts, or any other inquiries, please contact Dornbracht customer support through their official channels. When contacting support, please have your model number (33870875-99) and purchase information readily available.

[Visit Dornbracht Official Website](#)