

[Manuals.plus](#) /

> [Bestway](#) /

> Bestway Flowclear Pool Sand Filter User Manual

Bestway 58515

Bestway Flowclear Pool Sand Filter User Manual

Model: 58515

INTRODUCTION

This manual provides essential information for the safe and efficient operation and maintenance of your Bestway Flowclear Pool Sand Filter with Integrated ChemConnect Dispenser. Please read these instructions thoroughly before installation and use.

SAFETY INFORMATION

Always follow basic safety precautions when installing and operating this electrical equipment. Failure to follow these instructions can result in serious injury or death.

- Ensure the power source matches the voltage requirements of the pump (220 Volts AC).
- Do not operate the pump if the power cord or plug is damaged.
- Keep children away from the equipment during operation.
- Always disconnect the power supply before performing any maintenance or cleaning.
- This appliance is not intended for use by persons with reduced physical, sensory or mental capabilities, or lack of experience and knowledge, unless they have been given supervision or instruction concerning use of the appliance by a person responsible for their safety.

SETUP AND INSTALLATION

Proper setup is crucial for the optimal performance of your sand filter system. Refer to the diagrams and steps below for guidance.



Figure 1: Overview of the Bestway Flowclear Pool Sand Filter system with all components connected.

1. **Positioning the Filter:** Place the sand filter on a solid, level surface, at least 2 meters (6.5 feet) away from the pool. Ensure it is accessible for maintenance.
2. **Filling with Filter Media:**



Figure 2: Key components and fittings included with the sand filter system.

Remove the multi-port valve (MPV) from the filter tank. Fill the tank with the recommended filter sand (0.45-0.85mm silica sand) or Polysphere filter balls, ensuring not to overfill. Refer to the product specifications for the correct amount.

3. Connecting Hoses:



Figure 3: Connecting the hoses to the filter system and the pool. Ensure all connections are secure to prevent leaks.

Connect the hoses from the pool's skimmer/intake to the pump's inlet, and from the pump's outlet to the filter's inlet. Connect the filter's return outlet to the pool's return jet. Ensure all connections are tight using the provided clamps and adapters (for 32mm tubular pipes if needed).



Figure 4: Detail of the hose connection to the pool's return jet, ensuring a secure fit.

ABOVE GROUND POOLS ACCESSORIES

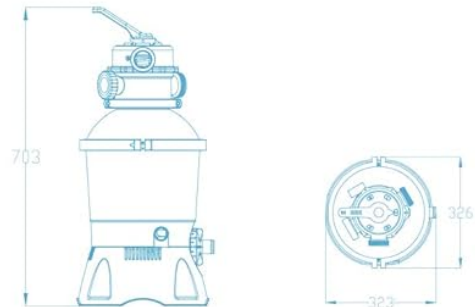


ITEM · Article · Artículo · Artikel · Artikel · Prodotto · Artykul

58515

TM FLOWCLEAR™ SAND FILTER

8,19kg
18,06lb



FEATURES · Caractéristiques · Características · Eigenschaften · Kenmerken · Caratteristiche · Cechy



Ø 32mm
Ø 1.25"

FILTRATION SYSTEM · Système de filtrage · Sistema de filtración · Filtersystem · Filtersysteem · Sistema di filtraggio · system filtrujący



FILTRATION SYSTEM 2,271 L/h (600gal)
Système de filtration 2,271 L/h (600gal)
Sistema de filtrado 2,271 L/h (600gal)
Filtersystem 2,271 L/h (600gal)
Filtersysteem 2,271 L/h (600gal)
Sistema di filtraggio 2,271 L/h (600gal)
System filtrujący 2,271 L/h (600gal)



HOSE LENGTH 9.8'/3 m
Longueur du tuyau 3 m
Manguera longitud 3 m
Schlauchlänge 3 m
Slang lengte 3 m
Lunghezza tubo 3 m
Długość rurki 3 m



SAND TYPOLOGY 0.45-0.85mm
Typologie de sable 0.45-0.85mm
Tipologia de arena 0.45-0.85mm
Körngröße des sandes 0.45-0.85mm
Zand typologie (indeling van zandvormen) 0.45-0.85mm
Tipologia di sabbia 0.45-0.85mm
Rodzaj piasku 0.45-0.85mm

FLOW RATE 3.028m³/h (800gal)



220-240V
50HZ

VOLTAGE
Tensión
Tensión
Spannung
Voltage
Tensione
Napięcie



85W

WATTAGE
Puissance
Potencia
Wattzahl
Vermogen
Potenza
Moc

Bestway

www.bestwaycorp.com



Figure 5: The integrated ChemConnect dispenser, designed for easy chemical tablet insertion.

- Initial Priming:** Before starting the pump, ensure the filter tank is full of water. Open all necessary valves to allow water to flow into the pump and filter.

OPERATING INSTRUCTIONS

The Flowclear sand filter features a 6-way valve for various operational modes and an integrated ChemConnect dispenser for chemical distribution.

Multi-Port Valve (MPV) Functions:



Figure 6: The pressure gauge, indicating the filter's operating pressure. Monitor this for backwashing needs.

- **FILTER:** Normal filtering mode. Water is pumped through the sand bed, trapping debris.
- **BACKWASH:** Cleans the sand filter by reversing water flow. Use when pressure gauge indicates high pressure.
- **RINSE:** Used after backwashing to flush out dirty water from the filter and settle the sand.
- **WASTE:** Bypasses the filter and pumps water directly out of the pool, useful for vacuuming heavy debris or lowering water level.
- **RECIRCULATE:** Circulates water without filtering, useful for distributing chemicals.
- **CLOSED:** Shuts off all flow to the filter. Use when performing maintenance on the pump or filter.

Important: Always turn off the pump before changing the MPV position to prevent damage.

ChemConnect Dispenser:

The integrated ChemConnect dispenser allows for controlled release of chemical tablets (e.g., chlorine) into the pool water. Open

the dispenser, insert the appropriate chemical tablet, and close securely. Adjust the dispenser's opening to control the release rate.

MAINTENANCE

Regular maintenance ensures the longevity and efficiency of your sand filter system.

- **Backwashing:** Perform backwashing when the pressure gauge reads 0.2-0.3 bar (3-5 PSI) above its initial clean pressure, or when water flow significantly decreases.
 - a. Turn off the pump.
 - b. Set the MPV to "BACKWASH".
 - c. Turn on the pump and run until the sight glass shows clear water (approx. 2-3 minutes).
 - d. Turn off the pump.
 - e. Set the MPV to "RINSE".
 - f. Turn on the pump and run for 30-60 seconds.
 - g. Turn off the pump.
 - h. Set the MPV to "FILTER" and resume normal operation.
- **Sand Replacement:** Filter sand typically needs to be replaced every 3-5 years, depending on usage and water quality.
- **Winterization:** Before winter, drain all water from the filter, pump, and hoses. Store the unit in a dry, frost-free location.

TROUBLESHOOTING

Problem	Possible Cause	Solution
Low Water Flow	Clogged filter sand; dirty skimmer basket/pump strainer; air in system.	Perform backwash/rinse; clean baskets; check hose connections for air leaks.
High Pressure Gauge Reading	Dirty filter sand.	Perform backwash and rinse cycle.
Water Leaking	Loose connections; damaged O-rings/seals.	Tighten connections; inspect and replace O-rings/seals as needed.
Pump Not Starting	No power; motor overload.	Check power supply and circuit breaker; allow motor to cool down.

SPECIFICATIONS

Feature	Detail
Model Number	58515
Brand	Bestway
Maximum Flow Rate	3028 Liters Per Hour
Voltage	220 Volts (AC)
Power Source	Corded Electric
Product Dimensions (L x W x H)	14.17"L x 14.17"W x 20.67"H

Feature	Detail
Item Weight	6.1 Kilograms (13.42 pounds)
Material	Plastic
Compatible Pipe Size	1.5" threaded valves (adaptor included for 32mm tubular pipes)
Recommended Filter Media	Filter sand (0.45-0.85mm silica sand) or Polysphere filter balls

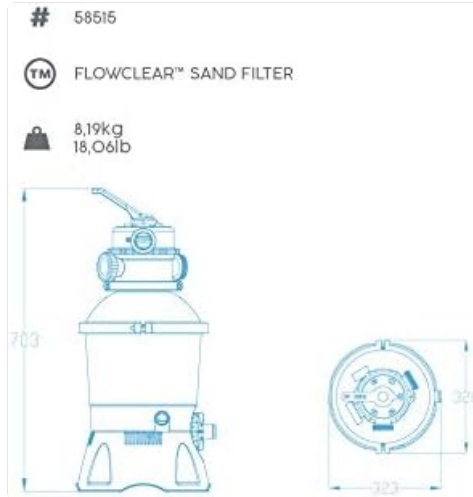


Figure 7: Technical diagram with dimensions and weight for model 58515.

WARRANTY AND SUPPORT

For warranty information and customer support, please refer to the documentation provided with your purchase or visit the official Bestway website. Keep your proof of purchase for warranty claims.

Bestway Official Website: www.bestwaycorp.com