



Manuals.plus /

- › Ikea /
- › Ikea PAHL Add-on Unit Instruction Manual (Model PAHL)

Ikea PAHL

Ikea PAHL Add-on Unit Instruction Manual

Model: PAHL

1. INTRODUCTION

This manual provides detailed instructions for the assembly, operation, and maintenance of your Ikea PAHL Add-on Unit. Please read this manual carefully before beginning assembly or use to ensure proper function and longevity of the product. Keep this manual for future reference.

2. PRODUCT OVERVIEW

The Ikea PAHL Add-on Unit is designed to provide additional storage and organization for your workspace or children's room. It features a reversible back panel, allowing you to choose between a green or white finish to match your decor. This unit is ideal for storing various items such as pens, paper, books, and small toys.



Figure 2.1: The Ikea PAHL Add-on Unit, showcasing the green side of the reversible back panel.

3. PACKAGE CONTENTS

Before assembly, verify that all components are present and undamaged. If any parts are missing or damaged, contact Ikea customer support.

- Top panel (Particleboard, Fibreboard, Paper foil, ABS plastic)
- Side panels (Engineered Wood)
- Reversible back panel (Green/White)
- Shelf (Particleboard, High-pressure melamine laminate)
- Assembly hardware (screws, dowels, etc.)
- Instruction leaflet (separate from this manual)

4. ASSEMBLY INSTRUCTIONS

Assembly of the PAHL Add-on Unit is required. Please follow the detailed instructions provided in the separate assembly leaflet included with your product. Ensure you have the necessary tools, typically a screwdriver and a hammer.

4.1. Pre-Assembly Checks

- Unpack all components and lay them out on a clean, soft surface to prevent scratches.
- Identify all parts against the package contents list.
- Ensure you have adequate space for assembly.

4.2. Assembly Steps

1. Attach the side panels to the top panel using the provided hardware.
2. Insert the shelf into the designated slots.
3. Slide the reversible back panel into place. Choose either the green or white side facing outwards according to your preference.
4. Secure any remaining components as per the assembly leaflet.
5. Ensure all screws are tightened securely, but do not overtighten.



Figure 4.1: Dimensional diagram of the PAHL Add-on Unit: 64 cm (25 1/4") width, 39 cm (15 3/8") height, and 17 cm (6 3/4") depth.

5. OPERATING INSTRUCTIONS (USAGE)

The PAHL Add-on Unit is designed to be placed on top of a desk or other flat surface to provide elevated

storage. Its open design allows for easy access to stored items.

5.1. Placement

- Place the unit on a stable, level surface.
- Ensure the unit is not overloaded to maintain stability.

5.2. Storage

- Utilize the top compartments for smaller items like pens, pencils, and art supplies.
- The lower shelf is suitable for books, notebooks, or small decorative items.

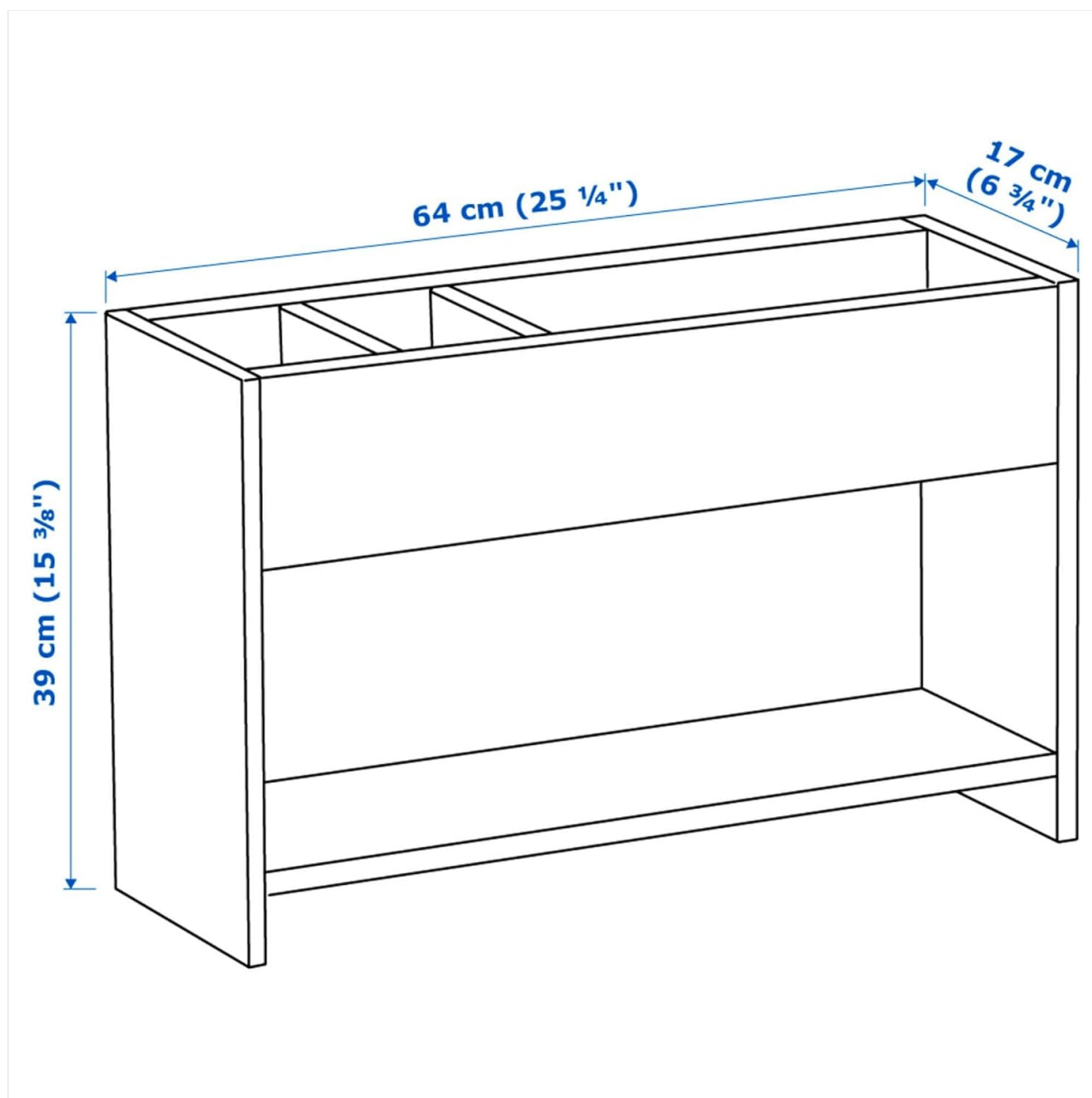


Figure 5.1: The PAHL Add-on Unit demonstrating its storage capabilities for various desk accessories and supplies.

6. MAINTENANCE AND CARE

Proper care will help maintain the appearance and extend the lifespan of your PAHL Add-on Unit.

- **Cleaning:** Wipe with a dry cloth. For stubborn marks, a slightly damp cloth with a mild cleaner can be used, followed by immediate drying.
- **Avoid:** Do not use abrasive cleaners, strong chemicals, or excessive moisture, as these can damage the laminated and painted surfaces.

- **Inspection:** Periodically check all assembly hardware and tighten if necessary to ensure stability.

7. TROUBLESHOOTING

If you encounter any issues with your PAHL Add-on Unit, refer to the following common solutions:

- **Unit is wobbly:** Ensure all screws and fasteners are securely tightened. Check that the unit is placed on a level surface.
- **Missing parts:** Double-check the packaging. If parts are genuinely missing, contact Ikea customer support with your product details.
- **Difficulty with assembly:** Review the assembly leaflet carefully. Ensure you are using the correct hardware for each step. Do not force components together.

8. SPECIFICATIONS

Feature	Detail
Brand	Ikea
Model Name	PAHL
Dimensions (W x H x D)	64 cm (25 1/4") x 39 cm (15 3/8") x 17 cm (6 3/4")
Color	White / Green (Reversible back panel)
Materials	Particleboard, Fibreboard, Paper foil, ABS plastic, Acrylic paint, High-pressure melamine laminate
Finish Type	Laminated
Item Weight	3.86 Pounds
Assembly Required	Yes
Special Feature	Reversible back panel

9. WARRANTY AND SUPPORT

For information regarding warranty coverage, please refer to the warranty documentation provided at the time of purchase or visit the official Ikea website. If you require assistance with assembly, have questions about the product, or need to report a defect, please contact Ikea customer support directly.

Ikea Customer Service: Please visit www.ikea.com/in/en/customer-service/ (or your regional Ikea website) for contact information and support resources.