

Cornat ZEL564

Cornat Zelina ZEL564 Single-Lever Sink Tap

Instruction Manual

[Safety Information](#)
[Instructions](#)

[Package Contents](#)
[Maintenance](#)

[Product Dimensions](#)
[Troubleshooting](#)

[Setup & Installation](#)
[Specifications](#)

[Operating](#)
[Warranty & Support](#)

1. SAFETY INFORMATION

Please read these instructions carefully before installation and use. Keep this manual for future reference.

- Ensure the main water supply is turned off before beginning any installation work.
- If you are unsure about any part of the installation process, consult a qualified plumber.
- Do not use abrasive cleaners or harsh chemicals on the chrome-plated surface, as this may damage the finish.
- Check all connections for leaks after installation and before fully restoring water pressure.
- This product is designed for kitchen use and connection to a domestic water supply.

2. PACKAGE CONTENTS

Verify that all components are present before starting installation.

- Cornat Zelina ZEL564 Single-Lever Sink Tap (Brass Body, Chrome-Plated)
- Shaft attachment for tool-free installation
- Flexible connection hoses
- Sealing rings and washers
- Instruction Manual



Image 1: Cornat Zelina ZEL564 faucet with included connection hoses and mounting hardware.

The image above displays the main faucet body along with the flexible hoses and the shaft attachment system, which simplifies the installation process. Ensure all these parts are accounted for before proceeding.

3. PRODUCT DIMENSIONS

The following dimensions are provided for planning your installation space:

- **Overall Height:** Approximately 197 mm (7.76 inches)
- **Spout Reach:** Approximately 233 mm (9.17 inches) from the center of the faucet body

- **Base Diameter:** Approximately 55 mm (2.17 inches)
- **Mounting Hole Diameter:** Recommended minimum 35 mm (1.38 inches)
- **Overall Product Dimensions:** 15.75 x 11.65 x 3.74 inches (packaged)

PRODUKT-ABMESSUNG PRODUCT DIMENSIONS

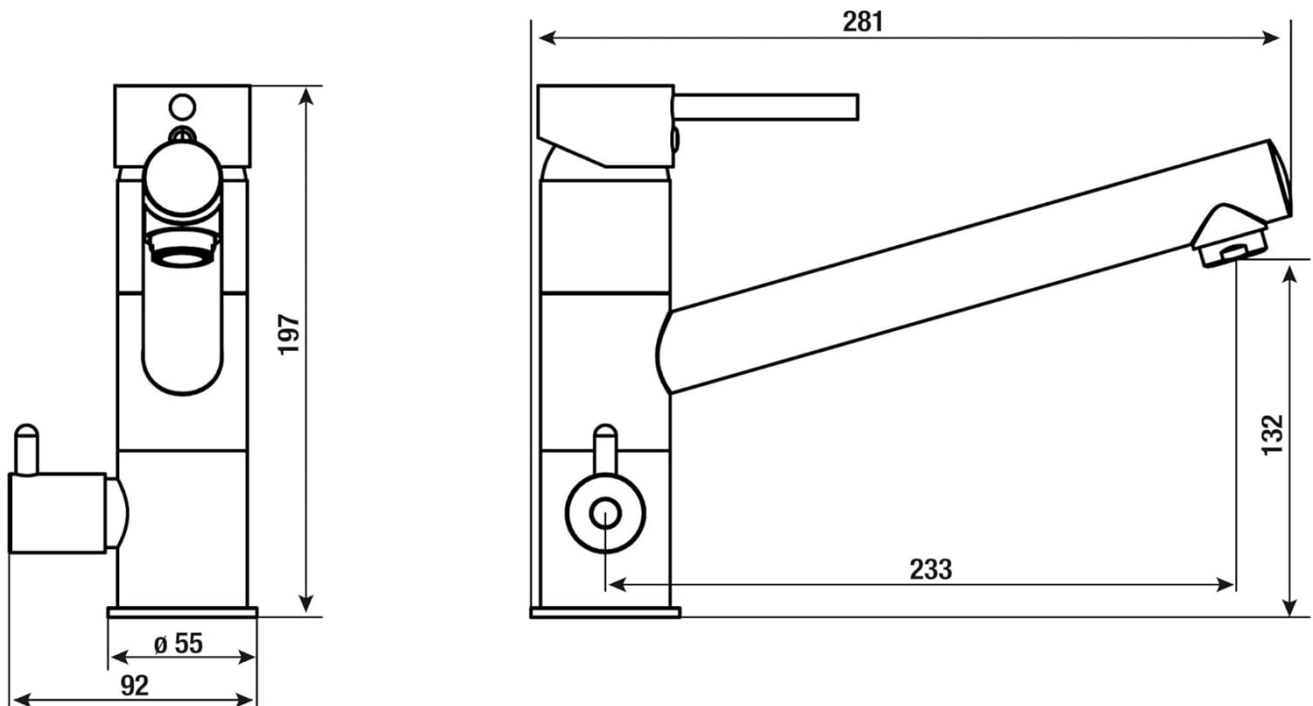


Image 2: General view of the Cornat Zelina ZEL564 faucet. Refer to the text for detailed dimensions.

This image provides a visual reference for the faucet's design. Precise measurements are crucial for proper fit and function in your kitchen sink area.

4. SETUP & INSTALLATION

The Cornat Zelina ZEL564 faucet is designed for easy deck-mount, centerset installation on your kitchen sink.

4.1. Preparation


1. Turn off the main water supply to your kitchen.

2. Remove your old faucet, if applicable, and clean the sink mounting area thoroughly.
3. Ensure the mounting hole on your sink deck is clean and free of debris.


4.2. Faucet Installation

1. Insert the flexible connection hoses into the base of the faucet. Ensure they are securely hand-tightened.
2. Place the faucet body into the mounting hole on your sink.
3. From underneath the sink, slide the rubber washer, metal washer, and then the shaft attachment onto the threaded shaft of the faucet.
4. Tighten the shaft attachment by hand until the faucet is stable. For final tightening, use an appropriate tool, ensuring the faucet is aligned correctly before fully securing. The tool-free shaft attachment allows for quick and simple installation.
5. Connect the flexible hoses to your hot and cold water supply lines. Use appropriate wrenches to ensure a tight, leak-free connection.
6. If using the integrated device connection, attach your dishwasher or washing machine hose to the designated outlet on the faucet.


PRODUKT-FEATURE



Anschluss von zusätzlichen Geräten, wie Spül- & Waschmaschine, unkompliziert möglich
Connecting additional appliances, such as dishwashers and washing machines, is easy.



Schwenkbarer Auslauf für flexible Nutzung von zwei Spülbecken
Swivel spout for flexible use of two sinks



Montage im Handumdrehen ohne Werkzeug dank Schaftbefestigung
Tool-free installation in seconds thanks to the smart shaft-mount design.




Image 3: Key features and installation points. Note the integrated device connection and the shaft mount for easy installation.

This diagram highlights the integrated device connection point for appliances and the simple shaft-mount design, which facilitates quick and secure installation without specialized tools.

4.3. Post-Installation

1. Slowly turn on the main water supply.
2. Check all connections for leaks. If any leaks are detected, tighten the connections further.
3. Run both hot and cold water through the faucet for a few minutes to flush out any debris from the lines.

5. OPERATING INSTRUCTIONS

The Cornat Zelina ZEL564 features a single-lever design for convenient control of water flow and temperature.

- **Water Flow:** Lift the lever upwards to increase water flow. Push it downwards to decrease or shut off the flow.
- **Water Temperature:** Move the lever to the left for hot water and to the right for cold water. Adjust the position between left and right to achieve the desired temperature.
- **Swivel Spout:** The spout can be easily swiveled from side to side, making it ideal for use with double sinks or for filling large pots outside the sink basin.
- **Integrated Device Connection:** The separate lever on the side controls the water flow to the integrated device connection, allowing you to easily regulate water for a connected dishwasher or washing machine.



Image 4: The Cornat Zelina ZEL564 faucet in an installed kitchen setting, demonstrating its functional design.

This image shows the faucet in a typical kitchen environment, highlighting its practical integration and ease of use for daily tasks.

6. MAINTENANCE

Proper care will ensure the longevity and appearance of your Cornat Zelina ZEL564 faucet.

- **Cleaning the Surface:** Clean the chrome-plated surface regularly with a soft cloth and mild soap or a non-abrasive cleaner specifically designed for chrome finishes. Rinse thoroughly with clean water and dry with a soft cloth to prevent water spots.
- **Avoid Harsh Chemicals:** Do not use abrasive cleaners, scouring pads, ammonia-based cleaners, or any products containing bleach or acids, as these can damage the chrome finish and internal components.
- **Aerator Maintenance:** Periodically unscrew the aerator at the end of the spout and clean any mineral deposits or debris that may have accumulated. This helps maintain optimal water flow and prevents splashing.
- **Ceramic Cartridge:** The faucet is equipped with a durable ceramic sealing disc cartridge. In case of persistent drips or leaks, the cartridge may need to be replaced. This is typically a task for a qualified plumber.

7. TROUBLESHOOTING

Refer to the following table for common issues and their solutions.

Problem	Possible Cause	Solution
Low Water Flow	Clogged aerator; partially closed shut-off valve; debris in water lines.	Clean or replace aerator. Ensure shut-off valves are fully open. Flush water lines.
Leaking from Spout	Worn ceramic cartridge.	Contact a qualified plumber for cartridge replacement.
Leaking at Base	Loose mounting nut; improperly seated washers.	Tighten mounting nut. Check and reseal washers.
No Hot/Cold Water	Hot/cold water supply turned off; blocked supply line.	Check that hot/cold water supply valves are fully open. Inspect supply lines for kinks or blockages.

If you encounter issues not listed here or if the suggested solutions do not resolve the problem, please contact customer support.

8. SPECIFICATIONS

Feature	Detail
---------	--------

Feature	Detail
Brand	Cornat
Model Name	Zelina
Part Number	ZEL564
Recommended Uses	Kitchen
Mounting Type	Deck Mount
Installation Type	Centerset
Finish Type	Polished Chrome-plated
Material	Brass
Number of Handles	1 (Single-Lever)
Hole Count	1
Special Feature	Integrated Device Connection, Swivel Spout
Included Components	Shaft attachment, Flexible connection hoses
Item Weight	6.03 pounds
Product Dimensions	15.75 x 11.65 x 3.74 inches (packaged)
GTIN	04035300971237

9. WARRANTY & SUPPORT

For warranty information and customer support, please refer to the documentation provided with your purchase or contact Cornat directly through their official website or customer service channels.

When contacting support, please have your model number (ZEL564) and purchase date available.