

## Manuals+

[Q & A](#) | [Deep Search](#) | [Upload](#)

manuals.plus /

- › [Kraus](#) /
- › [KRAUS Kitchen Soap and Lotion Dispenser KSD-43SFS User Manual](#)

## Kraus KSD-43SFS

# KRAUS Kitchen Soap and Lotion Dispenser

MODEL: KSD-43SFS

Brand: Kraus

## 1. PRODUCT OVERVIEW

---

The KRAUS KSD-43SFS Kitchen Soap and Lotion Dispenser is designed to complement your kitchen faucet, offering a convenient and integrated solution for dispensing liquid soap, lotion, or detergent. This dispenser features a durable construction with a heavy-duty pump and a large-capacity reservoir bottle.

Key features include a self-priming pump for easy use, top-fill design for convenient refills, and a corrosion-resistant finish that maintains its appearance over time. The dispenser's universal design ensures compatibility with various kitchen decors and Kraus kitchen faucets.



Image 1: KRAUS KSD-43SFS Kitchen Soap and Lotion Dispenser, showcasing its sleek design in Spot Free Stainless Steel.

## 2. SETUP AND INSTALLATION

---

Installation of the KRAUS KSD-43SFS dispenser is designed to be straightforward, requiring a single hole in your countertop or sink. All necessary parts are included for a quick and easy setup.

### 2.1 Pre-Installation Requirements

- Ensure a 1 1/4-inch diameter hole is available or can be drilled in the desired installation location.
- Clearance under the counter for the reservoir bottle and threaded connection.

### 2.2 Installation Steps

1. Insert the dispenser's top assembly through the hole from above the counter.
2. From underneath the counter, secure the threaded connection to create a tight, waterproof seal.
3. Attach the large-capacity reservoir bottle to the threaded connection.

# Kraus Soap Dispenser

Model #: KSD-43SFS

# Kräus®

## Self-Priming Brass Pump

For hassle-free use

## Easy to Refill

Top lifts up for easy refill

## Large-Capacity Bottle

Holds up to 17 oz. of liquid, requiring fewer refills

## Easy to Install

Threaded connection offers a tight seal

## Corrosion and Rust Resistant

Resilient finish surpasses industry standards, and will not fade over time

## Durable Construction

For long-lasting functionality



© 2019 Kraus USA Inc. All rights reserved.

Image 2: Exploded view diagram illustrating the components and assembly process of the KSD-43SFS dispenser, highlighting the self-priming pump, top-fill design, and threaded connection.

## Heavy-Duty Pump

Durable self-priming soap dispenser with heavy duty pump and large-capacity bottle. Threaded connection offers a secure hold with a tight, waterproof seal for a lifetime of worry-free use



- Heavy-duty brass pump head, tested 50,000 cycles
- Threaded connection offers a tight waterproof seal
- Requires 1 1/4" hole for installation
- Large 17 oz. bottle

© 2019 Kraus USA Inc. All rights reserved.

Image 3: Detailed view of the heavy-duty brass pump head and the secure threaded connection, emphasizing durability and waterproof sealing.

### 3. OPERATING INSTRUCTIONS

---

The KRAUS KSD-43SFS dispenser is designed for simple and efficient operation.

#### 3.1 Dispensing Liquid

- Press down on the top of the dispenser pump to dispense liquid soap, lotion, or detergent. The self-priming pump ensures a consistent flow.
- The heavy-duty pump rotates 360 degrees, allowing you to position the nozzle for optimal access and convenience at your sink.

## Long-Lasting Functionality

# Kräus®

The perfect complement for your kitchen faucet, this easy-push self-priming soap dispenser is ideal for dispensing soap onto a sponge or directly into the sink. The large-capacity bottle holds 17 oz. of liquid soap or lotion and lifts up for easy refilling with no need to go underneath the counter



Image 4: Demonstrates the easy-push operation of the dispenser, showing liquid being dispensed into a hand.

### 3.2 Refilling the Dispenser

The large-capacity 17 oz. bottle is designed for convenient top-fill refills, eliminating the need to access the bottle from underneath the sink.

- Simply lift the pump head assembly from the top of the dispenser.
- Pour your desired liquid soap, lotion, or detergent directly into the reservoir bottle from above the counter.
- Replace the pump head assembly securely.

## 4. MAINTENANCE

---

To ensure the longevity and optimal performance of your KRAUS KSD-43SFS dispenser, follow these maintenance guidelines:

### 4.1 Cleaning the Dispenser

The dispenser features a Spot Free Stainless Steel finish, designed to resist water spots and fingerprints, making cleaning

easier.

- Regularly wipe the exterior of the dispenser with a soft, damp cloth.
- For stubborn spots, use a mild soap solution and then rinse thoroughly with clean water.
- Dry the dispenser immediately with a soft, dry cloth to prevent water spots, although the Spot Free finish minimizes their appearance.
- Avoid using abrasive cleaners, harsh chemicals, or scouring pads, as these can damage the finish.

# Kräus®

## all-Brite™

**Resists Spots and Fingerprints**

Soap dispensers featuring all-Brite™ spot-free finish require less cleaning and shine longer by resisting water spots, fading, and fingerprints. There is no need to wipe the pump off after each use to keep it looking like new



© 2019 Kraus USA Inc. All rights reserved.

Image 5: Illustrates the 'all-Brite' spot-free finish, demonstrating its resistance to water spots and fingerprints for easier cleaning and lasting shine.

## 4.2 Preventing Clogs

- Use liquid soaps or lotions that are not excessively thick, as this can lead to clogs over time.
- If the dispenser becomes difficult to pump, it may indicate a partial clog. Remove the pump head and rinse it thoroughly under warm water. You may also need to flush the internal mechanism with warm water.

## 5. TROUBLESHOOTING

---

If you encounter issues with your KRAUS KSD-43SFS dispenser, refer to the following common problems and solutions:

Problem	Possible Cause	Solution
Dispenser not pumping liquid	Empty reservoir bottle Clogged pump mechanism Air in the pump	Refill the reservoir bottle Remove pump head and rinse thoroughly with warm water Pump several times to prime the dispenser
Liquid dispenses slowly or weakly	Thick liquid Partial clog Low liquid level	Dilute liquid with a small amount of water (if suitable for the liquid) Clean pump mechanism as described above Refill the reservoir bottle
Dispenser wobbles or feels loose	Loose threaded connection	Tighten the threaded connection from underneath the counter
Leaks around the base	Improperly sealed connection	Ensure the threaded connection is tight and the seal is properly seated during installation

If the problem persists after attempting these solutions, please contact Kraus Customer Service for further assistance.

## 6. SPECIFICATIONS

---

Detailed specifications for the KRAUS KSD-43SFS Kitchen Soap and Lotion Dispenser:

Feature	Detail
Model Number	KSD-43SFS
Color	Spot Free Stainless Steel
Material	Brass (pump head), Plastic (reservoir bottle)
Product Dimensions (L x W x H)	4.63" x 2.63" x 12.88"
Item Weight	9.3 ounces
Volume Capacity	17 oz. (approximately 500 ml)
Hole Requirement	1 1/4" diameter
Spout Reach	3 1/4 inches
Pump Rotation	360 degrees
Material Type Free	PVC-free, Nickel-free
Water Resistance	Waterproof seal

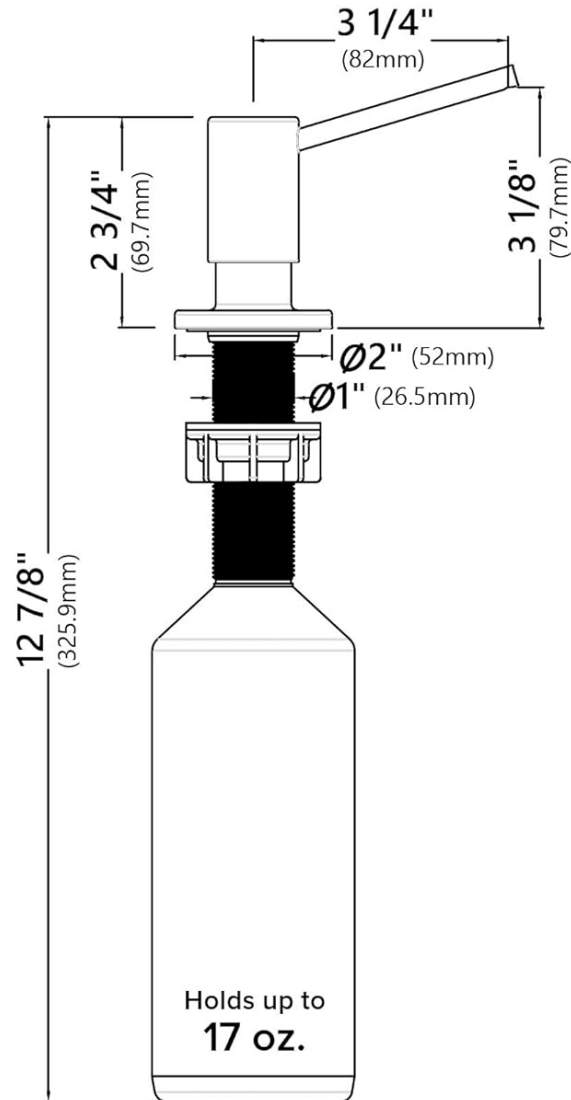
# Dimensions

Model #: KSD-43SFS

# Kräus®

Pump Height: 3 1/8"

Spout Reach: 3 1/4"



© 2019 Kraus USA Inc. All rights reserved.

Image 6: Detailed dimensional drawing of the KSD-43SFS dispenser, including pump height, spout reach, and bottle capacity.

## 7. WARRANTY AND SUPPORT

### 7.1 Warranty Information

The KRAUS KSD-43SFS Kitchen Soap and Lotion Dispenser is backed by a **1-Year Limited Warranty**. This warranty covers defects in material and manufacturing under normal use and service.

For specific terms and conditions of the warranty, please refer to the official Kraus warranty documentation or contact Kraus Customer Service.

### 7.2 Customer Support

If you have any questions regarding the installation, operation, maintenance, or troubleshooting of your KRAUS dispenser, please contact Kraus Customer Service. They are available to provide assistance and support.

- Visit the official Kraus website for contact information and support resources: [www.kraususa.com](http://www.kraususa.com)
- Refer to the product packaging or included documentation for specific customer service phone numbers or email

addresses.