



Manuals.plus /

› LINOVISION /

› LINOVISION DS-1604ZJ-Box Wall Mount Bracket User Manual

LINOVISION DS-1604ZJ-Box

LINOVISION DS-1604ZJ-Box Indoor Outdoor Wall Mount Bracket User Manual

Model: DS-1604ZJ-Box

1. PRODUCT OVERVIEW

The LINOVISION DS-1604ZJ-Box is a robust indoor and outdoor wall mount bracket specifically designed for Hikvision Speed Dome Cameras. Constructed from durable aluminum alloy with a surface spray treatment, this bracket offers a waterproof design suitable for various environmental conditions. It serves as a reliable mounting solution, ensuring secure installation of compatible cameras.



Front view of the LINOVISION DS-1604ZJ-Box wall mount bracket, designed for Hikvision speed dome cameras. The bracket is light gray, made of aluminum alloy, and features a sturdy arm extending from a rectangular base.

2. PACKAGE CONTENTS

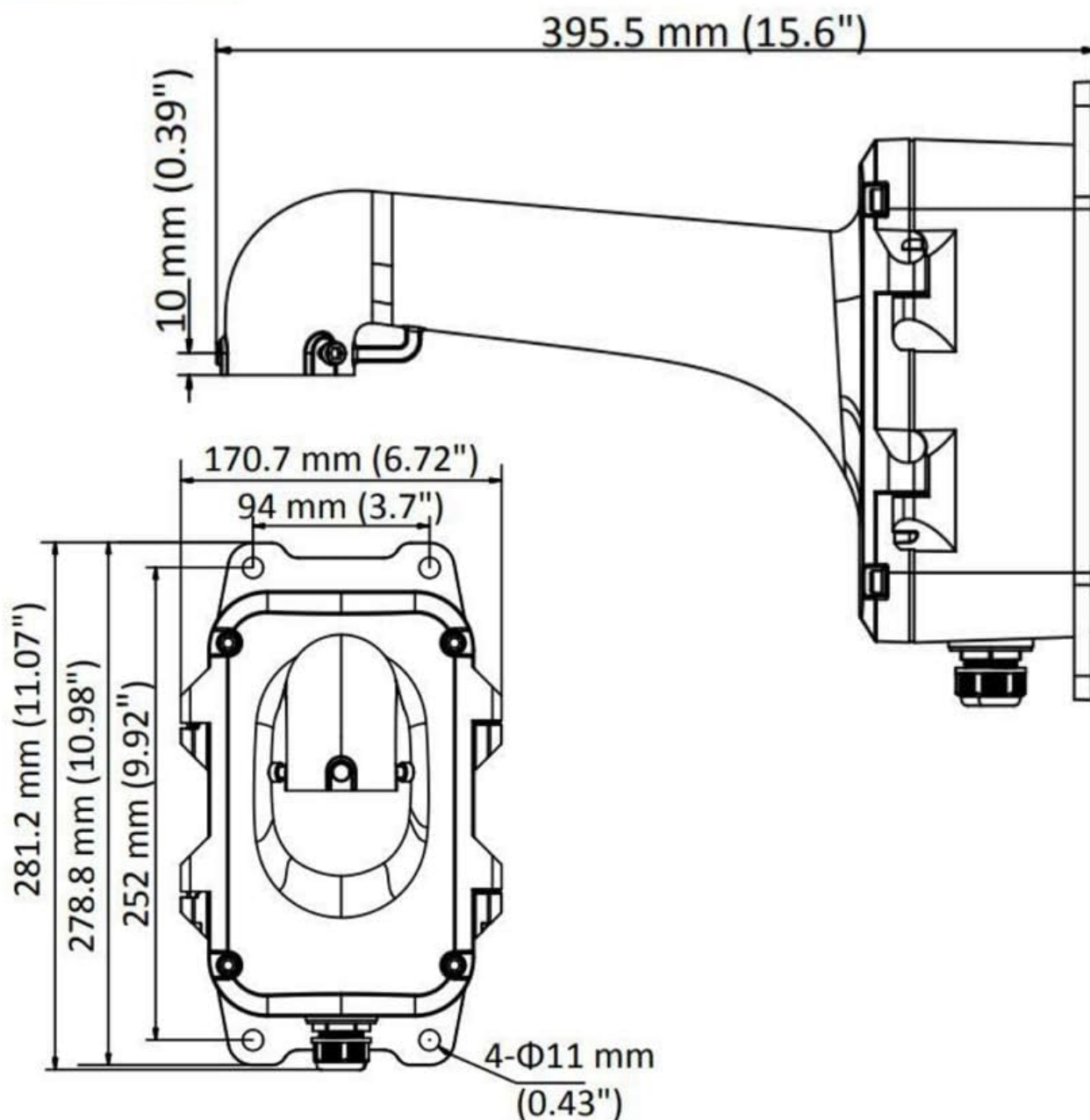
- DS-1604ZJ-Box Wall Mount Bracket
- Mounting Screws

Note: The CCTV Camera is not included with this bracket.

3. SPECIFICATIONS

Attribute	Detail
Model Number	DS-1604ZJ-Box
Material	Aluminum Alloy with Surface Spray Treatment
Dimensions (L x W x H)	395.5 mm x 281.2 mm x 170.7 mm (15.6" x 11" x 6.7")
Weight	2150g (4.7 lb.)
Maximum Load Capacity	10 Kg (22 lb.)
Design	Waterproof
Replacement For	DS-1602ZJ-BOX

Dimension



Detailed technical drawing illustrating the dimensions of the DS-1604ZJ-Box bracket in millimeters and inches. It shows the overall length of 395.5 mm (15.6 inches), height of 281.2 mm (11.07 inches), and depth of 170.7 mm (6.72 inches), along with mounting hole specifications.

4. COMPATIBILITY

This bracket is compatible with a range of Hikvision Analog and IP Cameras, including but not limited to:

4.1. Compatible Hikvision Analog Cameras:

- DS-2AF4262
- DS-2AE4123TI
- DS-2AE4223TI-D
- DS-2DE4120I-D
- DS-2DE4220
- DS-2DE4220IW-D

- DS-2AE4225TI-D

4.2. Compatible Hikvision IP Cameras:

- DS-2DF5225X-AEL/DS-2DE5225IW-AE
- DS-2DF5232X-AEL/DS-2DE5232IW-AE
- DS-2DF7232IX-AEL
- DS-2DF7225IX-AEL
- DS-2AF7230TI-AW
- DS-2DE5330W-AE
- DS-2DE5320W-AE
- DS-2DE5432IW-AE
- DS-2DE5425IW-AE
- DS-2AE5225TI-A
- DS-2AE5232TI-A
- DS-2AE7225TI-A

5. SETUP AND INSTALLATION

Proper installation is crucial for the stability and longevity of your camera system. Follow these guidelines carefully:

1. **Wall Selection:** Choose a flat, sturdy wall surface for installation.
2. **Structural Support:** The wall must be capable of supporting over *three times* the total weight of the camera and the bracket combined. The maximum load capacity of the bracket itself is 10 Kg (22 lb.).
3. **Mounting Position:** Position the bracket at the desired height and angle, ensuring clear line of sight for the camera.
4. **Marking Drill Holes:** Use the bracket as a template to mark the positions for drilling holes on the wall. Refer to the dimension diagram in Section 3 for precise measurements of mounting holes.
5. **Drilling:** Drill holes of appropriate size for the provided mounting screws. Use wall anchors if necessary, depending on the wall material.
6. **Secure Installation:** Attach the bracket securely to the wall using the provided screws. Ensure all screws are tightened firmly to prevent any movement.
7. **Camera Attachment:** Once the bracket is firmly installed, attach your compatible Hikvision Speed Dome Camera to the bracket according to the camera's specific mounting instructions.

Always ensure the bracket is level and securely fastened before attaching the camera.

6. MAINTENANCE

The DS-1604ZJ-Box bracket is designed for durability and requires minimal maintenance. To ensure its continued performance:

- **Regular Inspection:** Periodically check all mounting screws and connections to ensure they remain tight and secure.
- **Cleaning:** Clean the bracket surface with a soft, damp cloth to remove dust or dirt. Avoid using abrasive cleaners or solvents that could damage the surface treatment.
- **Environmental Checks:** In outdoor environments, inspect for any signs of corrosion or wear, especially after severe weather conditions.

7. TROUBLESHOOTING

If you encounter any issues with the bracket, consider the following:

- **Bracket Instability:** If the bracket feels loose, re-check all mounting screws for tightness. Ensure the wall material is suitable and that appropriate anchors were used during installation. Verify the wall's load-bearing capacity.
- **Camera Fit Issues:** Confirm that your camera model is listed under the compatible cameras in Section 4. If it's not listed, the bracket may not be designed for your specific camera.
- **Environmental Damage:** While waterproof, extreme conditions can affect any material. If damage is observed, assess if replacement is necessary.

For persistent issues or technical assistance, please refer to the support information in Section 8.

8. WARRANTY AND SUPPORT

LINOVISION is committed to providing high-quality products and customer support.

8.1. Warranty Information:

- **Warranty Period:** 2-year US local warranty.
- **Returns:** Free return within 30 days of purchase.

8.2. Technical Support:

- **Availability:** 24/7 US local + Global technical support.
- **Services:** Free System Consultant service available.

For support, please visit the official LINOVISION website or contact their customer service directly.