

Manuals.plus /

> vidaXL /

> vidaXL 2-Burner Ceramic Hob with Touch Control, 3000W, 28.8 cm - Instruction Manual

vidaXL 50783

vidaXL 2-Burner Ceramic Hob with Touch Control, 3000W, 28.8 cm - Instruction Manual

Model: 50783

1. INTRODUCTION

Thank you for choosing the vidaXL 2-Burner Ceramic Hob. This manual provides comprehensive instructions for the safe and efficient use, installation, and maintenance of your appliance. Please read this manual thoroughly before operating the hob and retain it for future reference.

2. SAFETY INSTRUCTIONS

To prevent accidents and ensure proper operation, observe the following safety precautions:

- **Electrical Safety:** Ensure the hob is connected to a properly grounded electrical outlet. Do not use extension cords or adapters. Disconnect power before cleaning or maintenance.
- **Hot Surface Warning:** The ceramic surface and cooking zones become extremely hot during and after use. Avoid touching hot surfaces. Use oven mitts or pot holders. The hob features a hot surface indicator to warn when zones are still hot.
- **Children and Pets:** Keep children and pets away from the hob during operation and while it is cooling down. The hob includes a safety lock function to prevent accidental activation.
- **Ventilation:** Ensure adequate ventilation around the hob during installation and use. Do not obstruct air vents.
- **Overheating Protection:** The hob is equipped with an integrated sensor that automatically shuts off the appliance if it becomes too hot or if left unattended for an extended period.
- **Proper Cookware:** Use cookware with flat, smooth bases that match the size of the cooking zones.
- **Flammable Materials:** Do not store flammable materials near the hob.
- **Cleaning:** Clean the hob regularly to prevent grease buildup, which can be a fire hazard. Ensure the hob is cool before cleaning.

3. PRODUCT OVERVIEW

The vidaXL 2-Burner Ceramic Hob features a sleek, heat-resistant glass surface with two radiant electric cooking zones and intuitive touch controls.

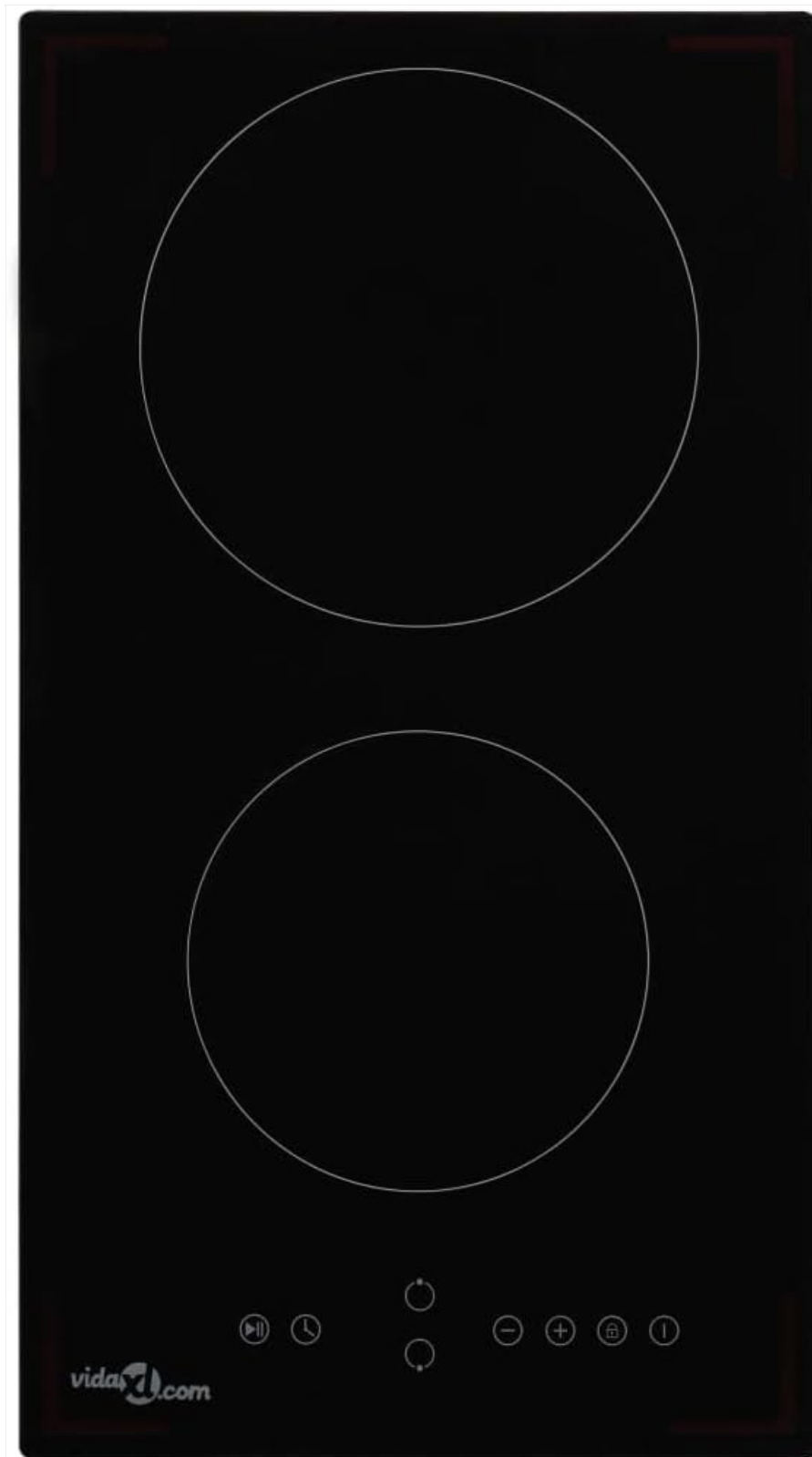


Figure 3.1: Overall view of the vidaXL 2-Burner Ceramic Hob. It shows the black ceramic glass surface with two circular cooking zones and touch control panel at the bottom.

The touch control panel allows for easy operation, including power on/off, heat level adjustment, timer settings, and activation of the safety lock.



Figure 3.2: Close-up of the touch control panel, showing symbols for power, timer, heat level adjustment (+/-), and safety lock.

4. SETUP AND INSTALLATION

Installation should be performed by a qualified technician in accordance with local regulations and electrical codes. Ensure the countertop material is heat-resistant.

4.1. Cut-out Dimensions

Refer to the diagram below for the required cut-out dimensions in your countertop. Ensure sufficient clearance for ventilation.

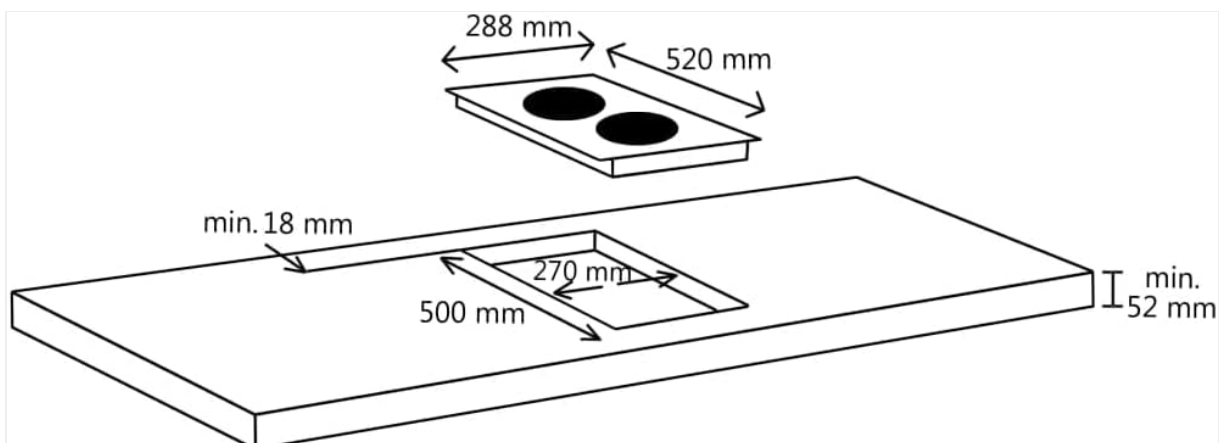


Figure 4.1: Installation diagram. The hob measures 288 mm x 520 mm. The required countertop cut-out is 270 mm x 500 mm. Minimum

countertop thickness is 18 mm, and minimum clearance below the hob is 52 mm.

4.2. Electrical Connection

The hob requires a dedicated electrical circuit. Consult a qualified electrician for proper wiring and connection to the main power supply. The appliance operates at 240 Volts (AC) and has a total power output of 3000 Watts.

5. OPERATING INSTRUCTIONS

The hob features intuitive touch controls for easy operation.

5.1. Powering On/Off

- To turn on: Touch the power symbol () on the control panel.
- To turn off: Touch and hold the power symbol until the hob switches off.

5.2. Selecting a Cooking Zone and Adjusting Heat

The hob has two cooking zones with different power outputs.



Figure 5.1: Hob with indicated power ratings. The top zone is 1800W, and the bottom zone is 1200W.

- After powering on, select the desired cooking zone by touching its corresponding control.
- Use the plus (+) and minus (-) symbols to adjust the heat level from 1 to 9.
- The selected heat level will be displayed on the digital indicator.

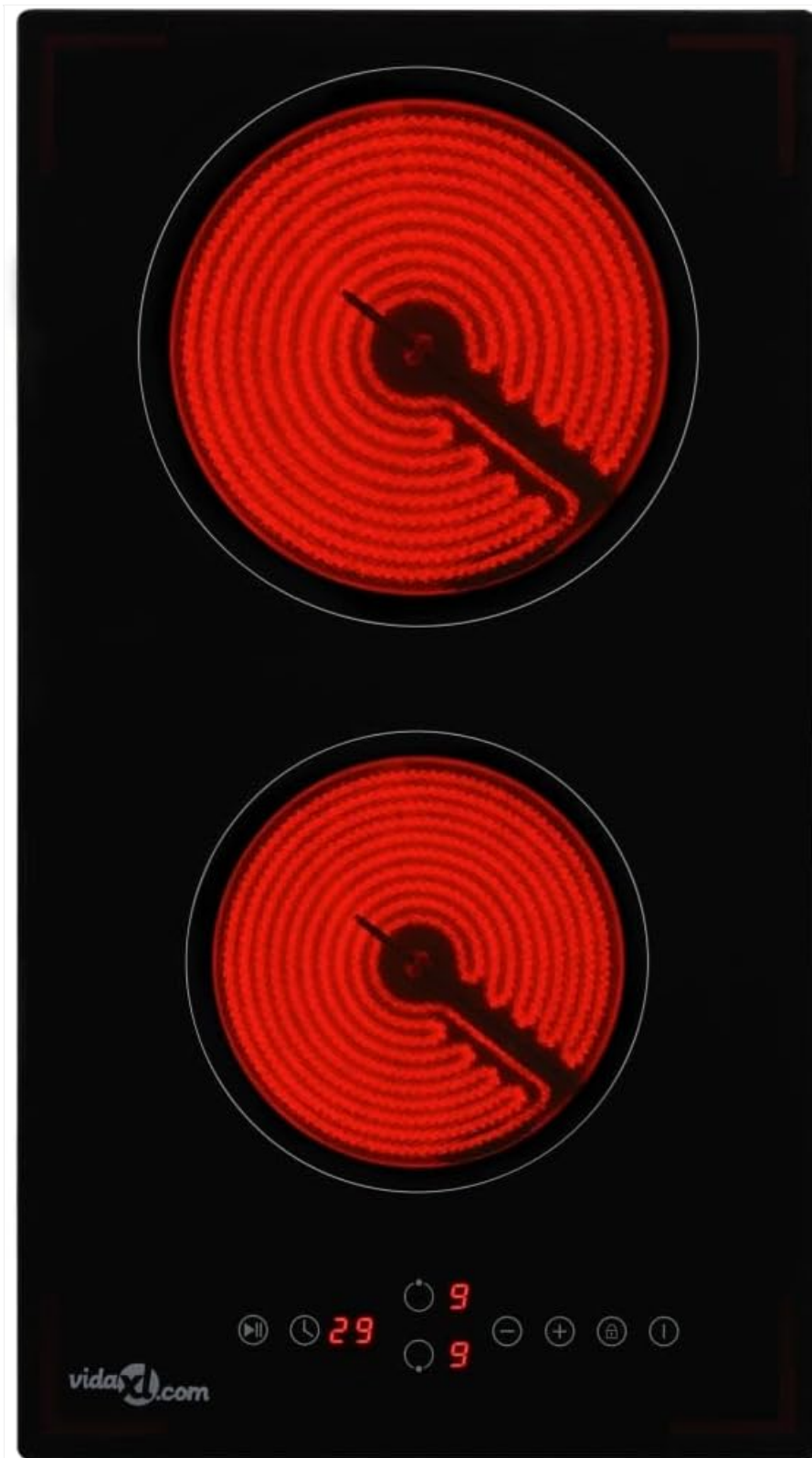


Figure 5.2: Hob in operation, showing glowing radiant elements and digital displays indicating active heat settings.

5.3. Timer Function

- To set the timer: Select a cooking zone, then touch the timer symbol ().
- Use the plus (+) and minus (-) symbols to set the desired cooking time.
- The hob will automatically switch off the selected zone once the timer expires.

5.4. Safety Lock

- To activate the safety lock: Touch the lock symbol (). This prevents accidental changes to settings or activation.
- To deactivate: Touch and hold the lock symbol until it unlocks.

5.5. Hot Surface Indicator

After use, the digital display will show an 'H' (Hot) symbol for any cooking zone that is still hot. Do not touch the surface until the 'H' disappears.

6. MAINTENANCE AND CLEANING

Regular cleaning and maintenance ensure the longevity and optimal performance of your hob.

- **Before Cleaning:** Always ensure the hob is switched off and completely cool. Disconnect from the power supply if possible.
- **Ceramic Surface:** Wipe the ceramic glass surface with a soft cloth and a mild detergent or a specialized ceramic hob cleaner. For stubborn stains, use a ceramic hob scraper, holding it at a shallow angle. Rinse with a damp cloth and dry thoroughly.
- **Control Panel:** Wipe the touch control panel with a soft, damp cloth. Avoid abrasive cleaners or sponges that could scratch the surface.
- **Spills:** Clean up spills immediately, especially sugary liquids, to prevent them from burning onto the surface and causing permanent damage.
- **Do Not Use:** Abrasive cleaners, scouring pads, harsh chemicals, or steam cleaners.

7. TROUBLESHOOTING

If you encounter issues with your hob, refer to the following common problems and solutions:

| Problem | Possible Cause | Solution |
|---------------------------------|--|---|
| Hob does not turn on. | No power supply; safety lock activated. | Check power connection and circuit breaker. Deactivate safety lock by touching and holding the lock symbol. |
| Cooking zone not heating. | Zone not selected; heat level too low; incorrect cookware. | Ensure the correct zone is selected and heat level is set. Use appropriate cookware with a flat base. |
| Hob automatically switches off. | Overheating protection activated; timer expired; prolonged inactivity. | Allow the hob to cool down. Check timer settings. The hob has an automatic shut-off feature for safety. |
| Control panel unresponsive. | Safety lock activated; moisture on panel. | Deactivate safety lock. Wipe the control panel dry with a clean cloth. |

If the problem persists after attempting these solutions, please contact vidaXL customer support.

8. SPECIFICATIONS

| | |
|---------------------------|--|
| Brand | vidaXL |
| Model Number | 50783 |
| Installation Type | Built-in |
| Number of Burners | 2 (Radiant Electric) |
| Total Power Output | 3000 Watts |
| Voltage | 240 Volts (AC) |
| Material | Ceramic Glass Surface |
| Color | Black |
| Dimensions (Hob) | 28.8 cm (width) x 52.0 cm (depth) |
| Cut-out Dimensions | 27.0 cm (width) x 50.0 cm (depth) |
| Weight | 5.46 Kilograms |
| Special Features | Touch Control, Timer, Safety Lock, Hot Surface Indicator, Automatic Shut-off |

9. WARRANTY AND SUPPORT

For warranty information or technical support, please refer to the warranty card included with your product or visit the official vidaXL website. You can also contact vidaXL customer service for assistance with any product-related inquiries.

Online Support: Visit the vidaXL Store on Amazon