

Manuals+

[Q & A](#) | [Deep Search](#) | [Upload](#)

manuals.plus /

> [TORCHSTAR](#) /

> [TORCHSTAR 6-Inch Ultra-Thin LED Recessed Lighting Manual \(Model: R1-JXLDL6D-12W50-12P\)](#)

TORCHSTAR R1-JXLDL6D-12W50-12P

TORCHSTAR 6-Inch Ultra-Thin LED Recessed Lighting Manual

Model: R1-JXLDL6D-12W50-12P

1. INTRODUCTION

Thank you for choosing TORCHSTAR 6-Inch Ultra-Thin LED Recessed Lighting. This manual provides essential information for safe installation, operation, and maintenance of your new LED downlights. Please read it thoroughly before installation and retain it for future reference.

2. SAFETY INFORMATION

- Always turn off power at the circuit breaker before beginning installation.
- Consult a qualified electrician if you are unsure about the installation process.
- Ensure all electrical connections are made in accordance with local codes and ordinances.
- Do not install in areas with direct water exposure unless specified for wet locations. This product is suitable for damp locations.
- Do not modify the fixture or its components.
- The fixture is IC rated, meaning it is safe for direct contact with insulation.

3. PACKAGE CONTENTS

Verify that all components are present before installation:

- Ultra-Thin LED Downlight (quantity as per pack)
- Junction Box (one per downlight)
- Cut-out Template
- Wire Nuts (included in junction box)
- Instruction Manual



Image: Overview of the TORCHSTAR 6-Inch Ultra-Thin LED Recessed Lighting components, including the downlight, junction box, and accessories.

4. PRODUCT FEATURES

- **Energy Saver:** ETL & Energy Star certified, 12W LED matches 100W incandescent output. Features a scratch-resistant frosted lens to prevent glare.
- **Ultra-Thin Design:** Requires only 2 inches of ceiling space, ideal for shallow ceilings. Metal spring clips ensure a firm and lasting installation.
- **Reliable Design:** Unique waterproof male and female connectors suitable for damp locations. IC rating allows direct contact with insulation, preventing overheating.
- **Versatile Use:** Smooth 100%-5% dimming, compatible with most dimmers. 110° beam angle and CRI90+ suitable for garages, kitchens, and bathrooms.
- **Trusted Quality:** Fits new construction, remodels, and retrofit installations. Aluminum body extends lifespan to 50,000 hours.



Image: Visual representation of key features including 50,000 hours lifespan, 1100lm luminous flux, and 110° beam angle.

5. PRODUCT DIMENSIONS

The TORCHSTAR 6-Inch Ultra-Thin LED Recessed Light is designed for minimal space requirements. Below are the detailed dimensions for proper installation planning.

PRODUCT DIMENSION

Cut-out hole size: ϕ 6.10inch (155mm)

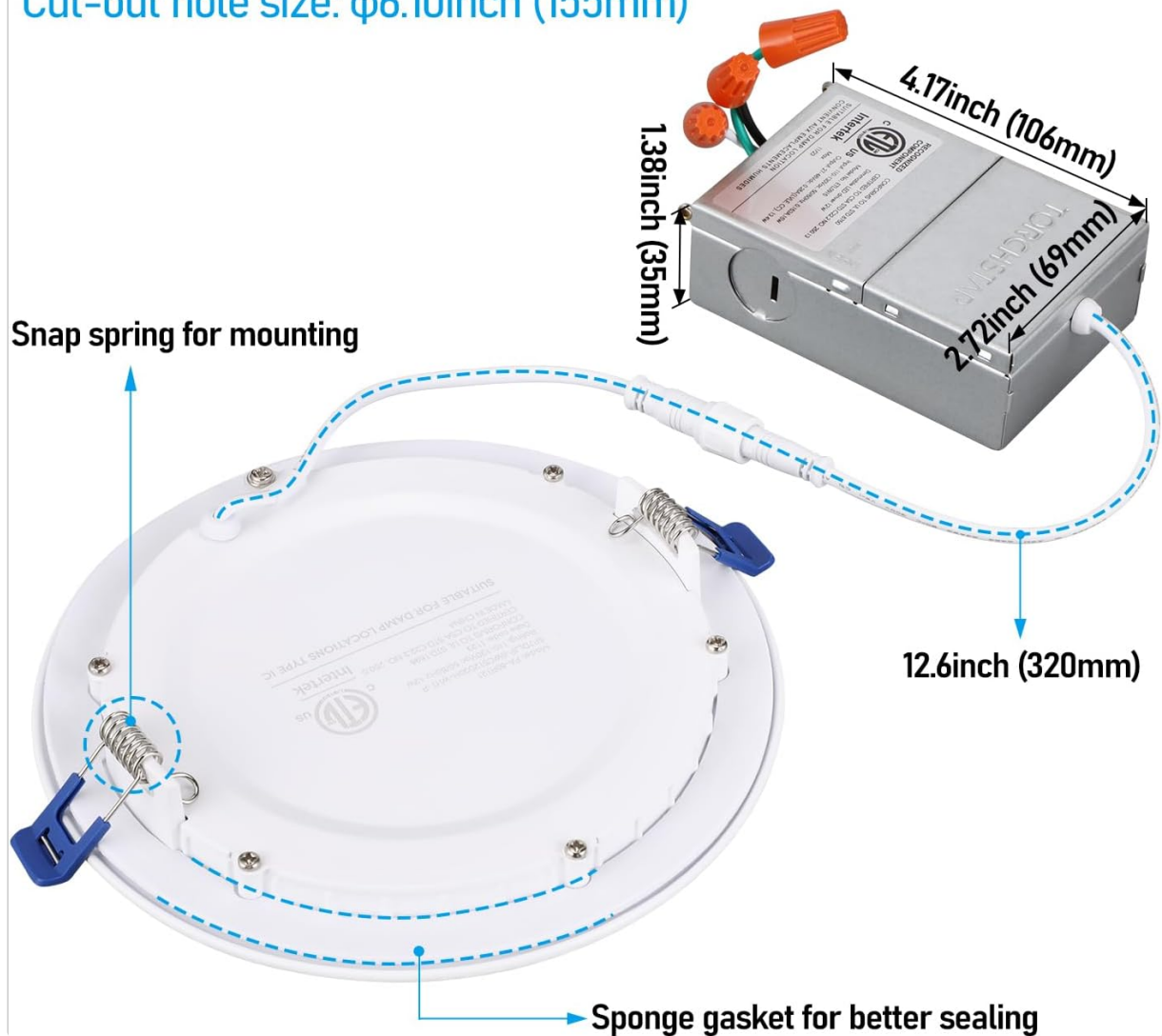


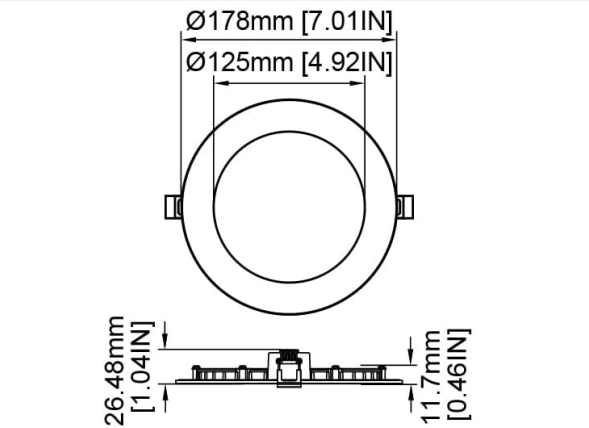
Image: Detailed product dimensions, showing a cut-out hole size of ϕ 6.10 inches (155mm), a junction box measuring 4.17 inches (106mm) in length, 2.72 inches (69mm) in width, and 1.38 inches (35mm) in height. The light fixture itself has a diameter of 6.10 inches and a total depth of approximately 1.04 inches (26.48mm).

6. INSTALLATION INSTRUCTIONS

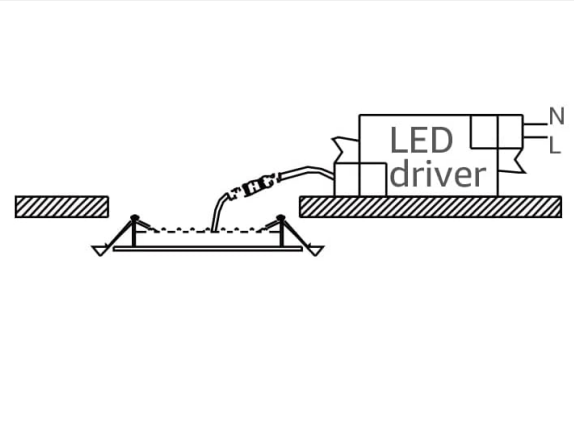
Follow these steps for a safe and proper installation of your TORCHSTAR LED Recessed Light:

- 1. Prepare the Ceiling:** Use the provided template to mark the desired cut-out hole size (6.10 inches / 155mm) on your ceiling. Cut the hole carefully.
- 2. Wiring the Junction Box:** Open the junction box. Connect the electrical wires from your power source to the wires inside the junction box using the provided wire nuts. Ensure proper polarity (live, neutral, ground). Close the junction box securely.
- 3. Connect Downlight to Junction Box:** Plug the male connector from the downlight into the female connector extending from the junction box. Ensure a secure connection.
- 4. Position the Junction Box:** Push the wired junction box up through the cut-out hole into the ceiling cavity.
- 5. Install the Downlight:** Squeeze the spring clips on the sides of the downlight. Carefully push the downlight into the cut-out hole. The spring clips will hold the fixture firmly in place against the ceiling.

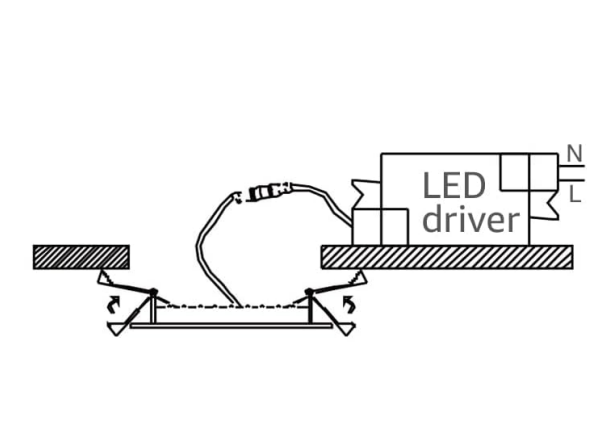
INSTALLATION INSTRUCTIONS



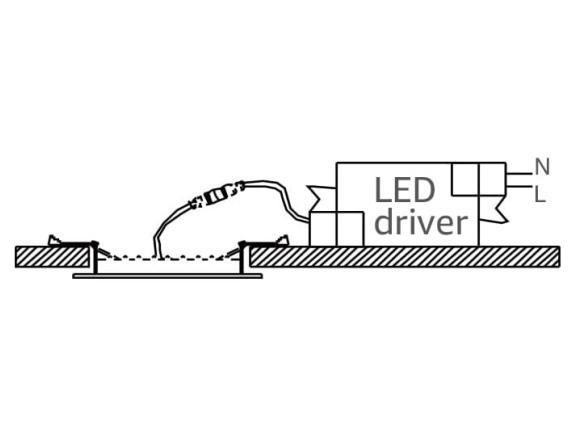
Hole diameter/Diametre de perforation
6" Ø155mm [6.10IN]



1. Connect with the driver.



2. Squeeze the snap spring.



3. Push the light into the ceiling.

Image: Step-by-step visual guide for installation: 1. Connect with the driver (junction box). 2. Squeeze the snap spring. 3. Push the light into the ceiling.

Your browser does not support the video tag.

Video: Official TORCHSTAR video demonstrating the installation process of the 6-Inch Ultra-Thin LED Recessed Lighting with J-Box. This video shows the unboxing, connection of the light to the junction box, and the final installation into the ceiling.

7. OPERATING INSTRUCTIONS

Once installed, your TORCHSTAR LED Recessed Light is ready for operation. These lights are designed for ease of use and versatility.

- **Power On/Off:** Use your standard wall switch to turn the lights on or off.
- **Dimming:** These lights are 100%-5% smooth dimmable and compatible with most LED dimmers on the market. Adjust the dimmer switch to achieve your desired brightness level.
- **Color Temperature:** This specific model is 5000K Daylight. Other models may offer different color temperatures (e.g., 3000K Warm White, 4000K Cool White, 2700K Soft White, 5CCT adjustable).

8. MAINTENANCE

TORCHSTAR LED Recessed Lights are designed for long-lasting performance with minimal maintenance.

- **Cleaning:** Ensure power is off before cleaning. Wipe the fixture with a soft, dry, or slightly damp cloth. Do not use harsh chemicals or abrasive cleaners.
- **Bulb Replacement:** The LED light source is integrated and not user-replaceable. The fixture has a lifespan of 50,000 hours.
- **Inspection:** Periodically check for any loose connections or damage. If any issues are found, turn off power and consult a qualified electrician.

9. TROUBLESHOOTING

If you experience issues with your LED recessed light, refer to the following common troubleshooting steps:

Problem	Possible Cause	Solution
Light does not turn on	No power to the fixture; Loose wiring connection; Faulty switch; Faulty fixture.	Check circuit breaker; Verify all wire connections are secure; Test the switch; Contact customer support.
Light flickers or dims inconsistently	Incompatible dimmer switch; Loose wiring connection; Voltage fluctuations.	Ensure dimmer is LED compatible; Check wire connections; Consult an electrician for voltage issues.
Light is not as bright as expected	Dimmer setting too low; Incorrect color temperature selected (if applicable); Product defect.	Adjust dimmer to maximum brightness; Verify correct color temperature setting (if applicable); Contact customer support.

10. SPECIFICATIONS

Feature	Detail
Brand	TORCHSTAR
Model Name	R1-JXLDL6D-12W50-12P
Size	6 Inch
Color Temperature	5000 Kelvin (Daylight)
Wattage	12 Watts
Brightness	1100 Lumen
Voltage	120 Volts
Material	Aluminum
Dimmable	5%-100%
Lifespan	50,000 hours
Certifications	ETL & Energy Star Listed
Water Resistance Level	Water Resistant (Damp Location Available)

Feature	Detail
Installation Type	Direct Install

11. WARRANTY

This TORCHSTAR LED Recessed Light comes backed by a 3-year warranty. For warranty claims or further details, please contact TORCHSTAR customer support.

12. CUSTOMER SUPPORT

For any questions, technical assistance, or support regarding your TORCHSTAR product, please visit the official TORCHSTAR website or contact their customer service team. You can also refer to the [TORCHSTAR Store on Amazon](#) for additional resources.