

DHP DA8377-GR

DHP Milton Twin Loft Bed Instruction Manual

Model: DA8377-GR | Brand: DHP

1. INTRODUCTION

Thank you for choosing the DHP Milton Twin Loft Bed. This space-saving junior loft bed is designed to maximize bedroom space, featuring a low-profile design with an easy-to-reach top bunk and a 26.5-inch high area underneath for storage or a cozy reading nook. Constructed from solid pine wood, this bed offers a minimalist yet contemporary look suitable for various room decors.

2. SAFETY WARNINGS

- **Maximum Weight Limit:** The top bunk has a maximum weight limit of 165 lbs.
- **Age Restriction:** Do not allow children under four years of age to use the upper bunk. This bed is designed for children ranging from 4 years of age to teenagers.
- **Mattress Requirements:** Use only coil spring mattresses on the upper bunk. Use only mattresses which are 74-75 inches long and 37.5-38.5 inches wide. Ensure the thickness of the mattress does not exceed 6 inches.
- **Prevent Falls:** The bed includes a 13-inch guard rail for top bunk safety. Ensure the guard rail is properly installed and maintained.
- **Avoid Horseplay:** Do not allow horseplay on or under the bed and prohibit jumping on the bed.
- **Assembly:** Ensure all assembly steps are followed correctly and all fasteners are securely tightened before use.

3. PACKAGE CONTENTS

The DHP Milton Twin Loft Bed package includes all necessary components for assembly, such as the solid pine wood frame, 2-step ladder, 13-inch safety guard rail, and wood slats. Please refer to the detailed parts list provided in the separate instruction manual included in your package to ensure all components are present and undamaged before beginning assembly.

4. SETUP AND ASSEMBLY INSTRUCTIONS

Assembly of the DHP Milton Twin Loft Bed is required. For detailed, step-by-step instructions, please

consult the dedicated assembly manual included with your product. It is recommended that two adults participate in the assembly process to ensure safety and efficiency. An Allen wrench/hex key is typically included, and a power drill may be helpful for certain steps.

Important Assembly Notes:

- Carefully align all screws and dowels to prevent damage to the wood.
- Ensure all fasteners are tightened securely, but do not overtighten to avoid stripping.
- If the provided wood slats appear too far apart, causing the mattress to sink, consider adding a piece of plywood across the bottom for additional stabilization and support.

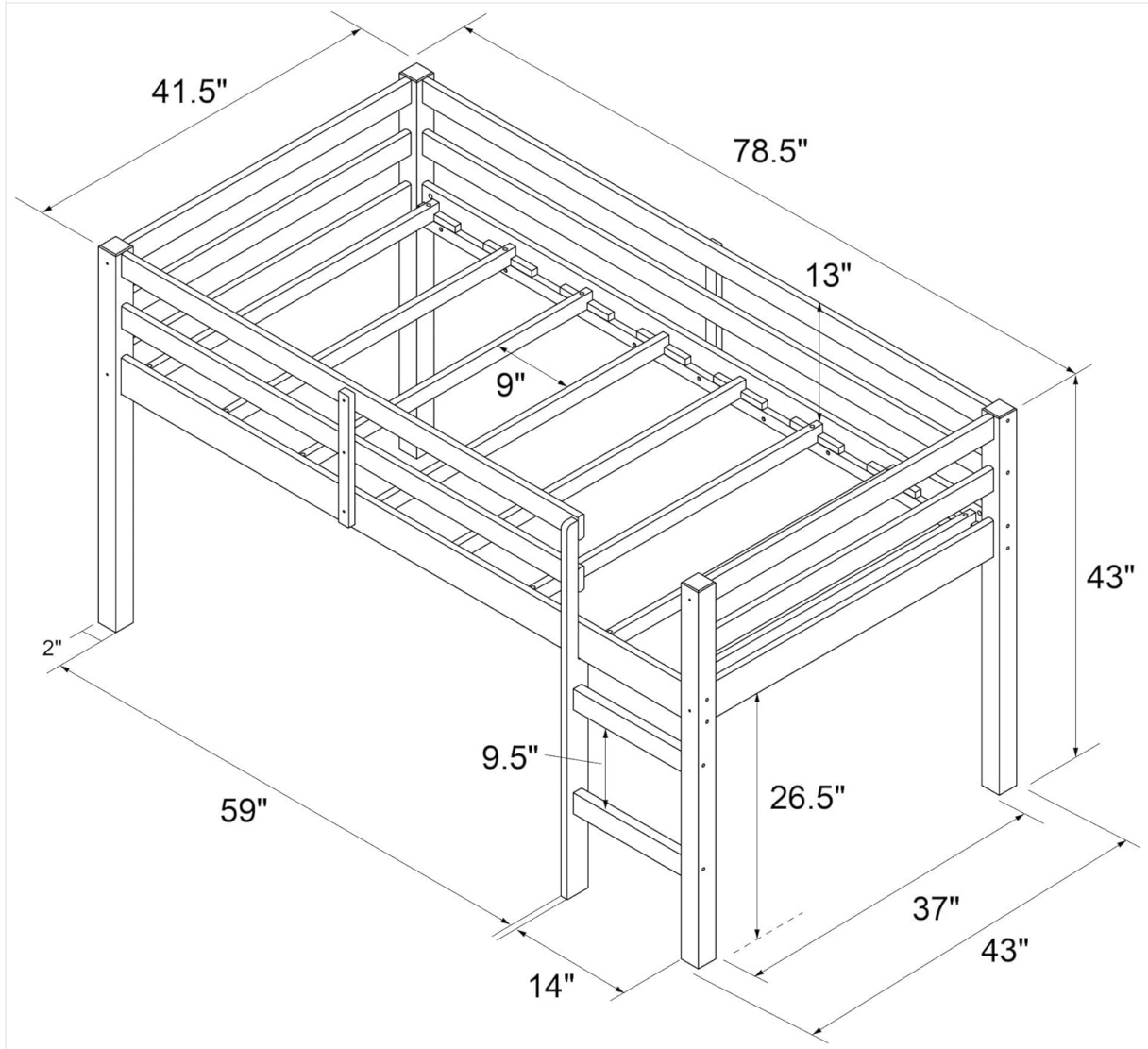


Figure 1: Detailed dimensions of the DHP Milton Twin Loft Bed.



Figure 2: Thoughtfully designed features of the loft bed.

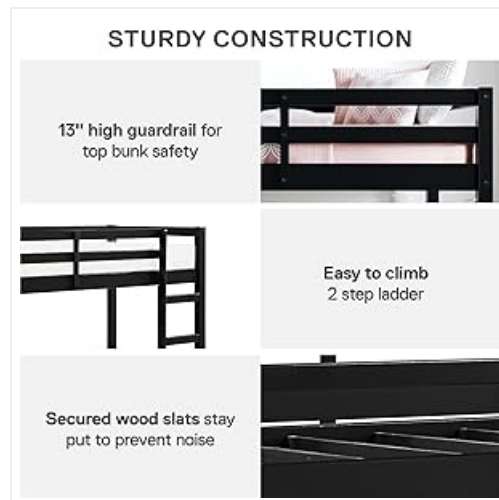


Figure 3: Sturdy construction details for enhanced safety and durability.

5. OPERATING INSTRUCTIONS

The DHP Milton Twin Loft Bed is designed for safe and comfortable use by children aged 4 and above. The integrated 2-step ladder allows for easy access to the top bunk. The area beneath the bed provides versatile space that can be utilized for toy storage, a play area, or a reading nook, helping to keep the room organized and maximizing floor space.



Figure 4: Example of under-bed space utilized for play and storage.

6. MAINTENANCE

- **Cleaning:** Wipe the bed frame with a damp cloth to clean. Avoid harsh chemicals that may damage the finish.
- **Regular Checks:** Periodically inspect all bolts, screws, and connections to ensure they remain tight. Re-tighten as necessary to maintain the bed's stability and safety.
- **Slats:** Ensure wood slats are properly positioned and secured to provide adequate mattress support.

7. TROUBLESHOOTING

- **Bed feels wobbly:** This often indicates loose connections. Re-check and tighten all bolts and screws on the frame and ladder. Ensure the bed is placed on a level surface.
- **Mattress sinking between slats:** If the provided wood slats are too far apart for your mattress, consider adding a thin sheet of plywood or additional support boards across the bed frame to create a more solid base.
- **Missing or damaged parts during assembly:** If you encounter missing parts, misaligned screw holes, or broken dowels, please contact customer support for assistance and replacement parts. Do not attempt to force parts or modify the bed in a way that compromises its structural integrity.

8. SPECIFICATIONS

Size	Twin
Product Dimensions	78.75"L x 43.25"W x 43"H
Color	Grey
Material	Pine Wood
Item Weight	58.8 pounds
Maximum Weight Capacity (Top Bunk)	165 lbs
Compatible Mattress Size	Standard Twin Size 6 inches (max thickness)
Ground to Item Distance (Under-bed clearance)	26.5 Inches
Manufacturer	Dorel Living

9. WARRANTY AND SUPPORT

The DHP Milton Twin Loft Bed comes with a 1-year limited warranty. For warranty claims, replacement parts, or any product-related inquiries, please contact DHP Customer Support. Information regarding online replacement parts ordering may also be available.

For further assistance, please refer to the contact information provided in your product packaging or visit the official DHP website.