



[Manuals.plus](#) /

> [AAOBOSI](#) /

> AAOBOSI 15-Inch Dual Zone Wine Cooler (Model JC-85B) User Manual

AAOBOSI JC-85B

AAOBOSI 15-Inch Dual Zone Wine Cooler (Model JC-85B) User Manual

Model: JC-85B | Brand: AAOBOSI

1. INTRODUCTION

Thank you for choosing the AAOBOSI 15-Inch Dual Zone Wine Cooler. This appliance is designed to provide optimal storage conditions for your wine collection, featuring dual temperature zones for both red and white wines. This manual provides essential information for the safe and efficient operation, installation, and maintenance of your wine cooler.

Dual Zone Wine Cooler

realize your dream that chill RED & White wines in one cooler



Figure 1: AAOBOSI 15-Inch Dual Zone Wine Cooler

2. IMPORTANT SAFETY INFORMATION

Please read all instructions before using this appliance to reduce the risk of fire, electric shock, or injury. Keep this manual for future reference.

- Ensure the appliance is properly grounded.
- Do not operate with a damaged power cord or plug.
- Do not store explosive substances such as aerosol cans with a flammable propellant in this appliance.
- Keep ventilation openings clear of obstruction.
- Do not use mechanical devices or other means to accelerate the defrosting process, other than those recommended by the manufacturer.
- Before cleaning or maintenance, always unplug the appliance.
- This appliance is not intended for use by persons (including children) with reduced physical, sensory or mental capabilities, or lack of experience and knowledge, unless they have been given supervision or instruction

concerning use of the appliance by a person responsible for their safety.

3. SETUP AND INSTALLATION

3.1 Unpacking and Initial Placement

Upon receiving your wine cooler, carefully unpack it. It is crucial to allow the appliance to stand upright for at least 24 hours before plugging it in. This allows the refrigerant to settle, preventing potential damage to the cooling system.

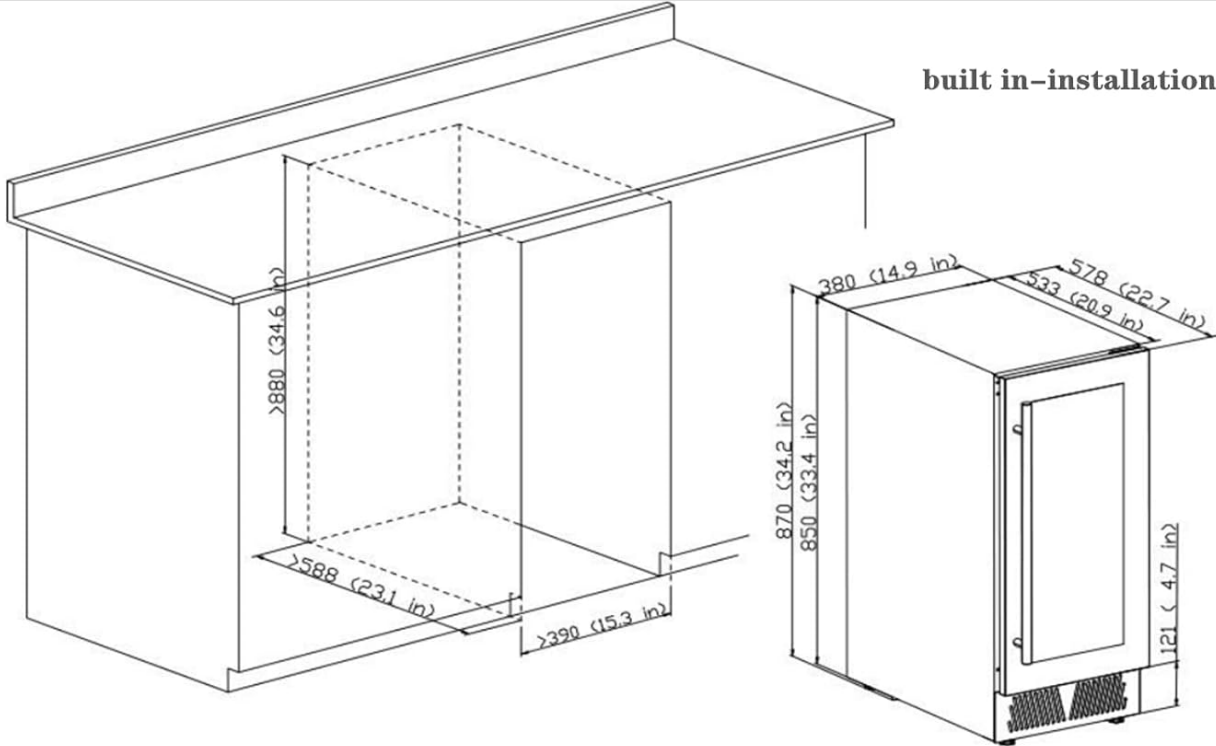


Figure 2: Unpacking the wine cooler

3.2 Handle Installation

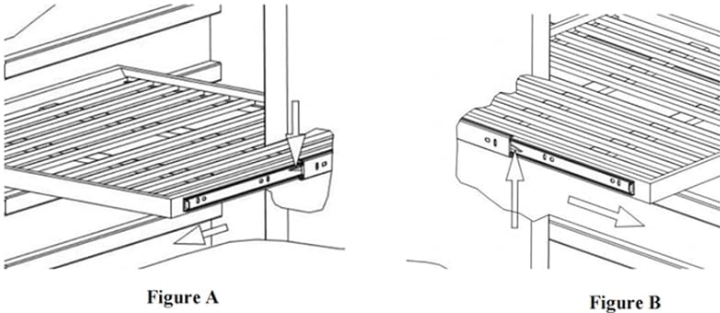
The door handle is typically shipped unattached. To install, gently pull back the door gasket to expose the screw holes. Align the handle with the holes and secure it with the provided screws. Then, press the gasket back into place.

built in-installation



removable shelf

If need to take out any shelf, use one hand to press down the right plastic notch as shown in Figure A and at the same time lift the left plastic notch by other hand as shown in Figure B. Hold both notches and then proceed to pull out the shelf slowly. Contact our service department if assistance is needed.



door handle installation

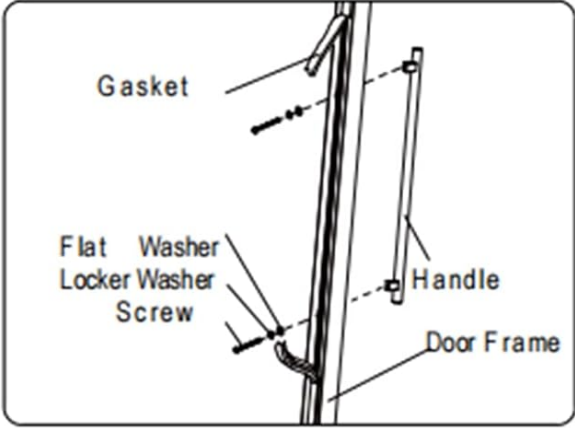


Figure 3: Handle installation and removable shelf mechanism

3.3 Freestanding or Built-in Installation

This wine cooler is designed for both freestanding and built-in installation. Ensure adequate ventilation space around the unit, especially if built-in. The front ventilation system allows for flush installation.

AAOBOSI Built-in Wine Cooler

A modern tool to preserve your wines. Enjoy your life.



Figure 4: Built-in installation example



Figure 5: Built-in installation dimensions

4. OPERATING INSTRUCTIONS

4.1 Control Panel Overview

The wine cooler features an intuitive LCD touch control panel for managing temperature, lighting, and the lock function. The panel will automatically lock if there is no operation within 3 minutes.



LCD Panel Smart touch

multi-function adjustment.
Large bottle space.

Display screen with child lock function

Sturdy Wood Shelves

With smooth ball bearing tracks,
easy to slide out and in.



Soft Blue LED Light

Perfectly showcase your wines.
Add mystery to the whole design.

Front Ventilation

No need to spare much
space for ventilation.
Security lock is included.

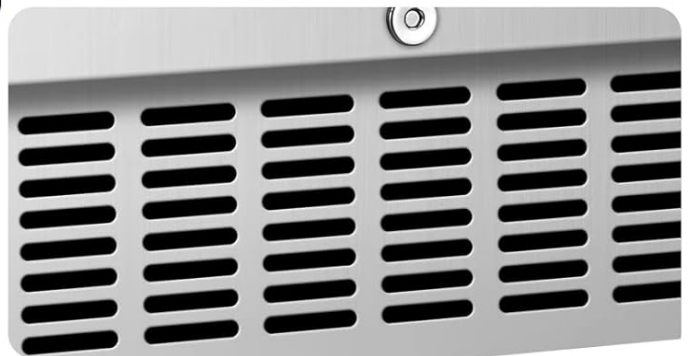


Figure 6: LCD Control Panel and key features

4.2 Setting Temperature Zones

This dual zone wine cooler allows independent temperature control for the upper and lower compartments. The upper zone typically ranges from 41°F to 53°F (5°C to 12°C) for white wines, while the lower zone ranges from 53°F to 68°F (12°C to 20°C) for red wines. Use the '+' and '-' buttons on the control panel to adjust the desired temperature for each zone.



Figure 7: Recommended wine serving temperatures

4.3 Screen Lock Function

To unlock the control panel, press the '-' and '+' buttons simultaneously. The panel will automatically lock after 3 minutes of inactivity to prevent accidental changes.

4.4 Interior Lighting

The wine cooler features soft blue LED lighting. Use the light button on the control panel to turn the interior light on or off.

4.5 Security Lock

A security lock is located at the bottom of the door to prevent unauthorized access. Use the provided key to lock or unlock the door.

Your browser does not support the video tag.

Video 1: Demonstrating the functional display and controls of the AAOBOSI JC-85B wine cooler.

5. MAINTENANCE

5.1 Cleaning

Regularly clean the interior and exterior of your wine cooler. Unplug the unit before cleaning. Use a soft cloth with a mild detergent and warm water. Avoid abrasive cleaners or solvents that could damage surfaces. Ensure the door gasket is clean and free of debris to maintain a proper seal.

5.2 Shelf Removal

The wooden shelves are removable for cleaning or to accommodate larger bottles. To remove a shelf, gently lift the plastic notch on one side and then the other, then slide the shelf out. Reinstall by reversing the process.

5.3 Automatic Defrost

The wine cooler features an automatic defrost system, eliminating the need for manual defrosting.

6. TROUBLESHOOTING

Problem	Possible Cause	Solution
Appliance does not operate	Not plugged in; circuit breaker tripped; temperature set too high.	Check power connection; reset circuit breaker; lower temperature setting.
Temperature is not cold enough	Door not closed properly; frequent door openings; warm ambient temperature; poor ventilation.	Ensure door is sealed; reduce door openings; move to cooler location; ensure proper airflow.
Excessive vibration	Appliance not level; bottles touching each other.	Adjust leveling legs; rearrange bottles.
Noise from appliance	Normal operation sounds (compressor, fan); loose parts.	These are normal; check for loose parts and tighten if necessary.
Door does not close properly	Appliance not level; door gasket dirty or damaged; shelves out of position.	Adjust leveling legs; clean or replace gasket; ensure shelves are correctly inserted.

7. SPECIFICATIONS

- **Model Name:** Wine Cooler
- **Model Number:** JC-85B
- **Brand:** AAOBOSI
- **Product Dimensions:** 14.96"D x 22.7"W x 34.2"H
- **Capacity:** 28 Bottles (approximate), 58 Liters, 4.5 Cubic Feet
- **Configuration:** Dual Zone
- **Color:** Metallic
- **Special Features:** Built-in or Freestanding, Dual Temperature Zones, Lock Screen Function, Memory Function, Quiet Operation
- **Installation Type:** Built-In
- **Number of Doors:** 1
- **Defrost System:** Automatic
- **Voltage:** 110 Volts
- **Shelf Type:** Wood

- **Cooling Method:** Compressor
- **Number Of Shelves:** 6
- **Adjustable Temperature Control:** Yes
- **Door Orientation:** Reversible
- **Lock Type:** Key
- **Refrigerant:** R-600A
- **Item Weight:** 70 Pounds
- **Annual Energy Consumption:** 146 Kilowatt Hours

8. WARRANTY INFORMATION

This AAOBOSI product comes with a standard manufacturer's warranty. Please refer to the warranty card included with your purchase for specific terms, conditions, and duration. Keep your proof of purchase for warranty claims.

9. CUSTOMER SUPPORT

For any questions, technical assistance, or service requests, please contact AAOBOSI customer support. Contact details can typically be found on the manufacturer's official website or on the product packaging.

Online Support: Visit the [AAOBOSI Store on Amazon](#) for more information and support resources.