

## soges desk-101-2OK

# soges 31.5-inch Rolling Standing Desk (Model: desk-101-2OK) Instruction Manual

Model: desk-101-2OK

## INTRODUCTION

---

Thank you for choosing the soges 31.5-inch Rolling Standing Desk. This desk is designed to offer a versatile and ergonomic workspace, allowing you to switch between sitting and standing positions to promote a healthier lifestyle. Its mobile design and adjustable features make it suitable for various applications in small homes or offices.

## SAFETY INFORMATION

---

- This desk has a weight limit of 10.9 kg (24 lbs). Do not exceed this limit to prevent damage or injury.
- Ensure proper assembly for safe use. Follow all instructions carefully.
- Place the desk on a stable, level surface to prevent tipping.
- When adjusting height or tilting the desktop, ensure all items are securely placed or removed to prevent them from falling.
- Lock the casters when the desk is in a stationary position to prevent unintended movement.

## PARTS LIST

---

Before assembly, verify that all components are present and undamaged. Refer to the assembly diagram for visual identification.

- Desktop Panels (Main and Secondary)
- Desk Frame Components (Vertical and Horizontal Bars)
- Casters (Wheels)
- Adjustable Knobs/Levers

- Assembly Hardware (Screws, Wrench)
- Tilting Mechanism Components

*Note: All assembly tools are included.*

## SETUP AND ASSEMBLY

---

Assembly is required for this desk. It is recommended that two people assemble the desk for ease and safety. Follow the steps below and refer to the included assembly diagram.

1. **Unpack Components:** Carefully remove all parts from the packaging. Lay them out on a clean, flat surface.
2. **Assemble Base Frame:** Connect the horizontal support bars to the vertical frame components using the provided screws and wrench. Ensure all connections are secure.
3. **Attach Casters:** Screw the four casters into the designated holes at the bottom of the desk frame. Ensure they are firmly attached.
4. **Install Desktop Panels:** Attach the main desktop panel to the top of the frame. Then, attach the secondary, tiltable desktop panel, ensuring the tilting mechanism is correctly aligned and secured.
5. **Secure Adjustable Components:** Fasten all adjustable knobs and levers as per the diagram to allow for height and tilt adjustments.



Image: The fully assembled soges Rolling Standing Desk, showcasing its design and functionality.

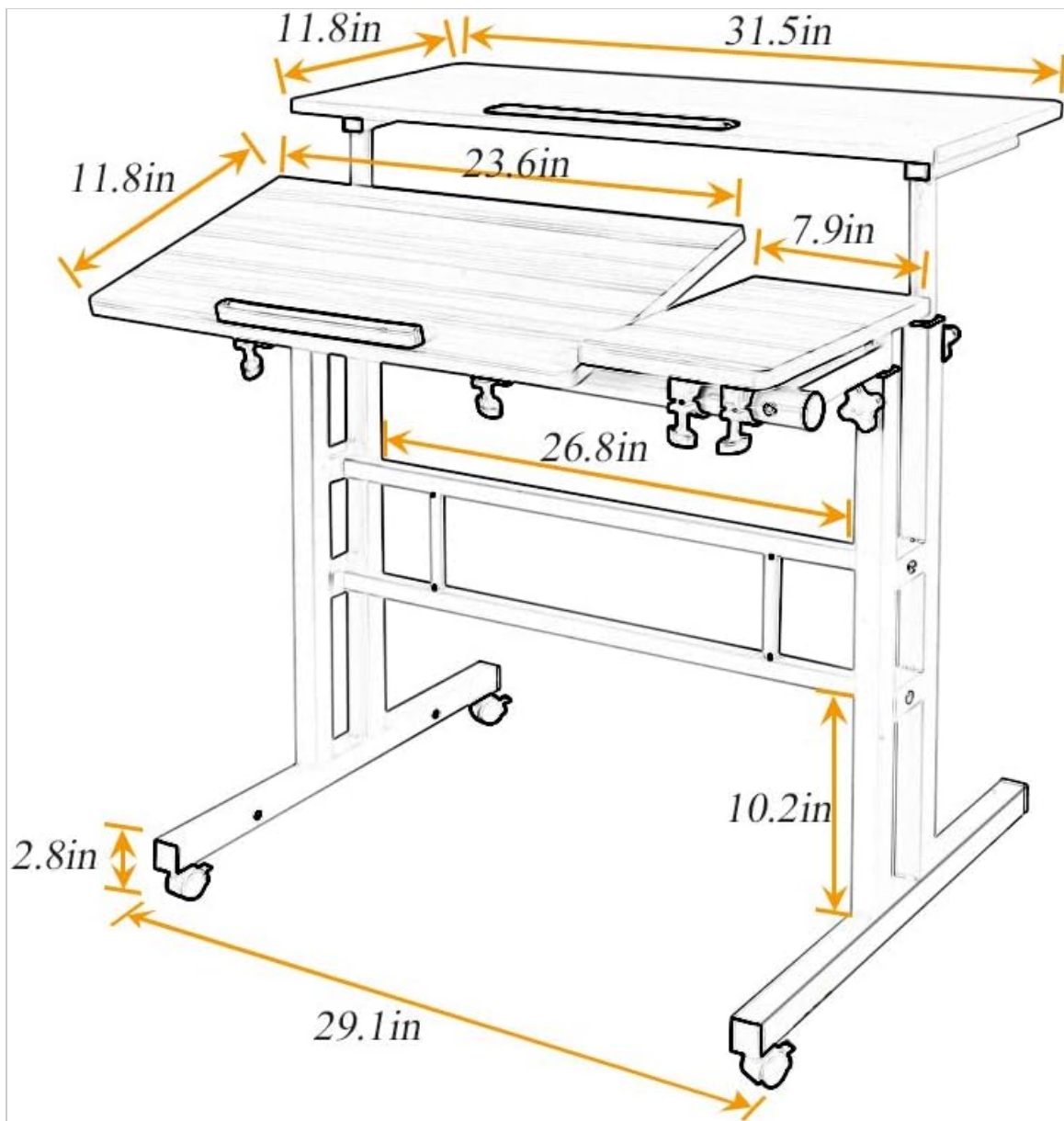


Image: Detailed dimensions of the desk, including width, depth, and height ranges for both platforms.

## OPERATING INSTRUCTIONS

### Height Adjustment

The desk features an adjustable height range of 26.4 to 45.3 inches (67-115 cm). To adjust the height:

1. Loosen the plum handles located on the vertical support bars.
2. Carefully raise or lower the desktop to your desired height.
3. Tighten the plum handles firmly to secure the desk at the new height.



Image: Detail of the plum handle mechanism for adjusting the desk's height.

## Tilting Desktop

The lower desktop platform can be tilted for ergonomic typing or drawing. It also includes a blocking plate to prevent items from sliding off.

1. Locate the tilting mechanism beneath the lower desktop panel.
2. Adjust the angle as needed and secure it using the provided fasteners.
3. Ensure the blocking plate is in place when the desktop is tilted.



Image: Close-up view of the tilting mechanism and integrated cable management clip, highlighting the design for user convenience.

## Mobility and Locking Casters

The desk is equipped with four rolling casters for easy movement. To lock or unlock the casters:

- To move the desk, ensure all casters are unlocked.
- To keep the desk stationary, press down on the locking mechanism on each caster until it clicks into place.
- To unlock, lift the locking mechanism on each caster.

## MAINTENANCE

---

### Cleaning

The desk panel is made of particle wood with a high-gloss finish, making it smooth and easy to clean.

- Wipe surfaces with a soft, damp cloth.
- Avoid abrasive cleaners or harsh chemicals that could damage the finish.
- Promptly clean up spills to prevent staining, especially on the waterproof and anti-scratch surfaces.

## General Care

- Regularly check all screws and fasteners to ensure they remain tight. Retighten as necessary.
- Avoid placing extremely hot or cold items directly on the desktop without protective coasters.
- Do not overload the desk beyond its specified weight limit of 10.9 kg (24 lbs).

## TROUBLESHOOTING

- **Desk is wobbly:** Ensure all assembly screws and adjustable knobs are tightened securely. Verify the desk is on a level surface.
- **Difficulty adjusting height:** Loosen the plum handles completely before attempting to adjust. Ensure no obstructions are preventing movement.
- **Casters not rolling smoothly:** Check for debris caught in the wheels. Ensure the locking mechanism is fully disengaged.
- **Items sliding off tilted surface:** Confirm the blocking plate is correctly installed and positioned to secure items.

## SPECIFICATIONS

<b>Brand</b>	soges
<b>Model Number</b>	desk-101-2OK
<b>Product Dimensions (D x W x H)</b>	23.6"D x 31.5"W x 45.3"H
<b>Adjustable Height Range</b>	26.4 - 45.3 inches (67 - 115 cm)
<b>Weight Capacity</b>	10.9 kg (24 lbs)
<b>Material</b>	Particle Wood (desktop), Alloy Steel (frame)
<b>Color</b>	Oak
<b>Special Feature</b>	Height Adjustable, Tilttable Top, Mobile (Casters)
<b>Assembly Required</b>	Yes (Recommended 2 people)

## WARRANTY AND SUPPORT

### Return Policy

This product is subject to a 30-day return/replacement policy from the date of purchase. Please refer to the retailer's specific return guidelines for detailed information.

### Protection Plans

Extended protection plans may be available for this product, offering additional coverage beyond the standard return policy. Options may include:

- 2-Year Protection Plan
- 3-Year Protection Plan
- Complete Protect (monthly renewal)

For details on purchasing or activating a protection plan, please consult your retailer or the plan provider.

## **Customer Support**

For any questions, assistance with assembly, or to report missing/damaged parts, please contact soges customer support through the retailer's platform or the official soges website.