



Manuals.plus /

- › **Bosch** /
- › Bosch SMV46KX04E Fully Integrated Dishwasher User Manual

## Bosch SMV46KX04E

# Bosch SMV46KX04E Fully Integrated Dishwasher User Manual

MODEL: SMV46KX04E

Brand: Bosch

## 1. INTRODUCTION AND OVERVIEW

This manual provides essential information for the safe and efficient operation, installation, and maintenance of your Bosch SMV46KX04E fully integrated dishwasher. Please read this manual thoroughly before using the appliance for the first time and keep it for future reference.

The Bosch SMV46KX04E is a full-size, fully integrated dishwasher designed to blend seamlessly with your kitchen cabinetry. It offers a capacity of 13 place settings and operates at a quiet 46 dB, ensuring effective cleaning with minimal disturbance.



Figure 1: Front view of the Bosch SMV46KX04E fully integrated dishwasher with the door open, revealing the interior racks.

## 2. SAFETY INFORMATION

Always adhere to the following safety guidelines to prevent injury or damage:

- **Electrical Safety:** Ensure the appliance is correctly earthed and connected to a suitable power supply (250V). Do not use extension cords.
- **Water Safety:** Connect the water inlet and outlet hoses securely to prevent leaks. Turn off the water supply when the dishwasher is not in use for extended periods.
- **Child Safety:** Keep children away from the dishwasher, especially when it is operating or contains detergents. Detergents are corrosive.
- **Sharp Objects:** Load sharp items like knives with the points facing downwards to avoid injury.
- **Appliance Use:** This appliance is intended for household use only. Do not sit or stand on the open door.

Refer to local regulations and installation instructions for specific safety requirements in your region.

### 3. SETUP AND INSTALLATION

The Bosch SMV46KX04E is designed for full integration into your kitchen. Professional installation is recommended to ensure proper fit and function.

#### 3.1 Dimensions and Weight

- **Width:** 59.8 cm
- **Depth:** 55 cm
- **Height:** 81.5 cm (adjustable)
- **Weight:** 36 kg



Dieses Szenebild ist beispielhaft. Alle Informationen entnehmen Sie bitte der Artikelbeschreibung.

Figure 2: Installation dimensions diagram. Ensure cabinet opening matches these specifications for proper fit.

#### 3.2 Connections

Ensure water inlet, water outlet, and electrical connections are accessible and correctly installed according to local plumbing and electrical codes.

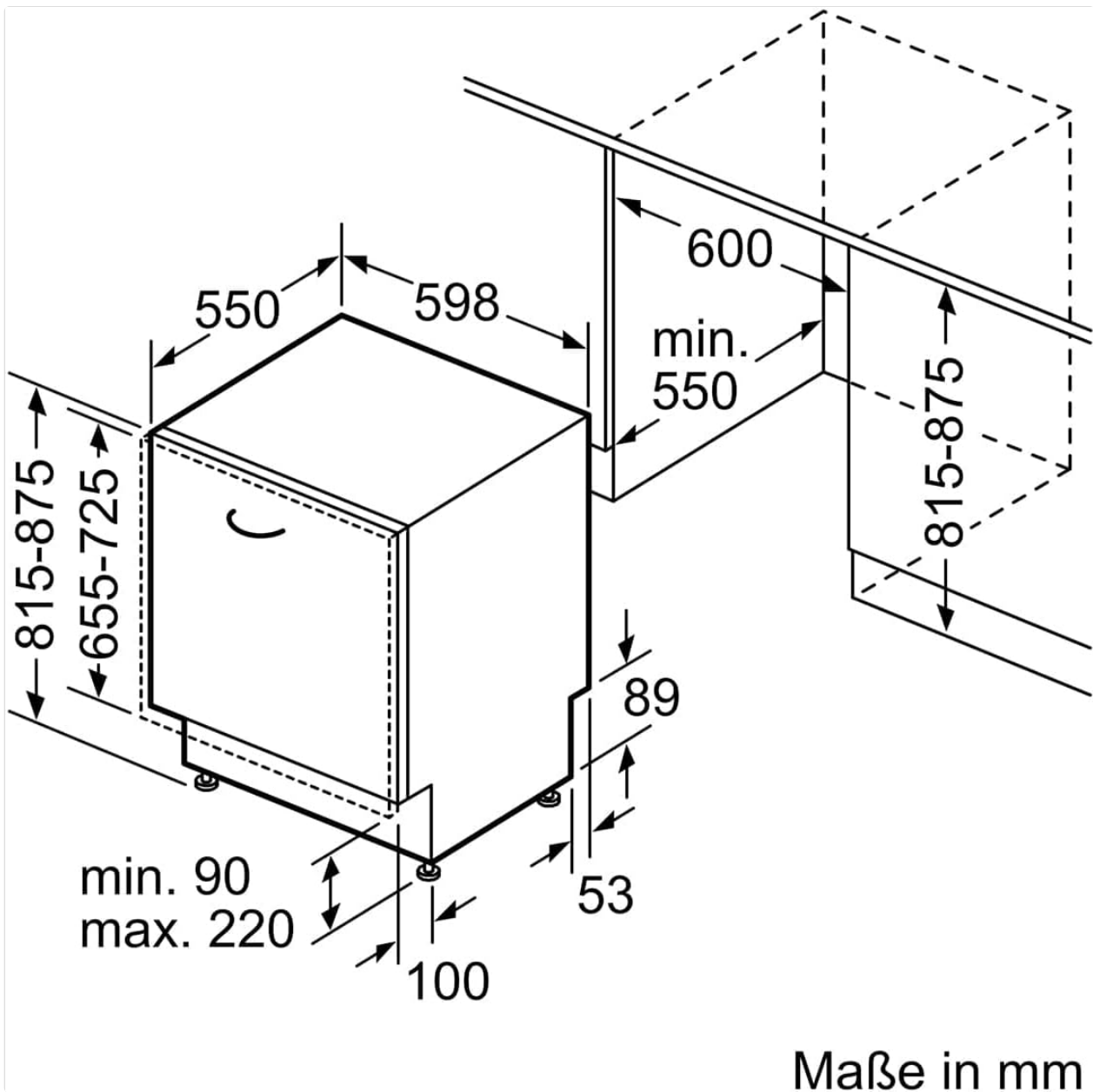


Figure 3: Diagram illustrating water and electrical connection points for installation.

### 3.3 Panel Integration

A custom kitchen panel is required for the front of the dishwasher. During installation, it may be necessary to adjust or cut the plinth beneath the cabinet to allow the dishwasher door to open fully without obstruction.



Dieses Szenebild ist beispielhaft. Alle Informationen entnehmen Sie bitte der Artikelbeschreibung.

Figure 4: Example of the dishwasher fully integrated into kitchen cabinetry.

### 3.4 Initial Setup

Before first use, fill the salt reservoir and rinse aid dispenser. Note that a salt funnel is not included with the appliance. It is recommended to run an empty wash cycle to remove any manufacturing residues and strong plastic odors.

## 4. OPERATING INSTRUCTIONS

Your dishwasher features an intuitive LED display and control panel for easy program selection and monitoring.



Figure 5: Detail of the control panel with program selection buttons and LED display.

## 4.1 Program Selection

The dishwasher offers 5 cycle options, including:

- **Normal:** Standard wash for daily soiled dishes.
- **Eco:** Energy-efficient program for normally soiled dishes, optimized for water and energy consumption.
- **Silent:** Reduced noise program, ideal for night-time operation.
- **Drying:** An additional drying option for enhanced results.

Select your desired program using the control panel buttons. The LED display will show the remaining time or program status.

## 4.2 Loading the Dishwasher

Proper loading ensures optimal cleaning and drying results. The dishwasher features adjustable baskets and a dedicated cutlery tray.



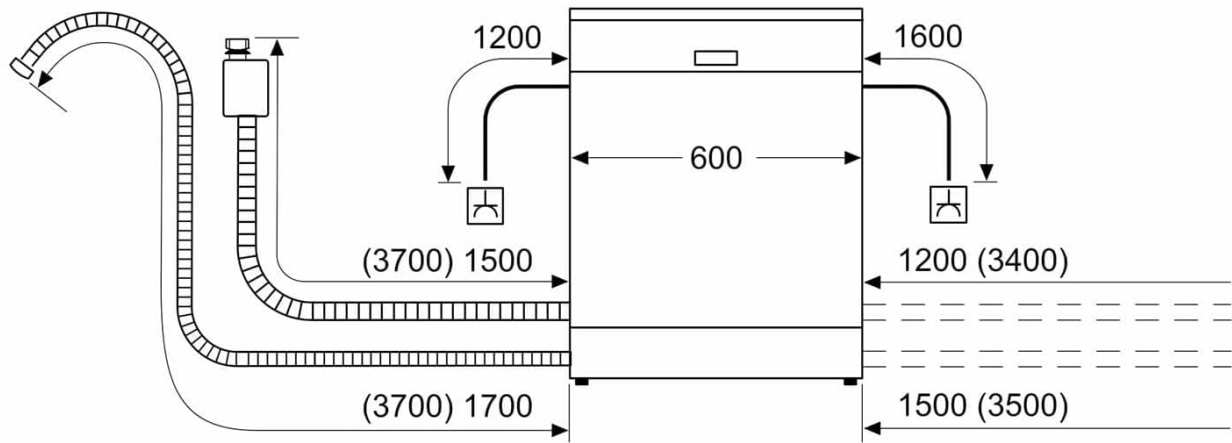
Dieses Szenebild ist beispielhaft. Alle Informationen entnehmen Sie bitte der Artikelbeschreibung.

Figure 6: Interior view highlighting the flexible loading options with adjustable racks.

### Cutlery Tray

Place cutlery individually in the top tray to ensure thorough cleaning and drying.

Maße in mm



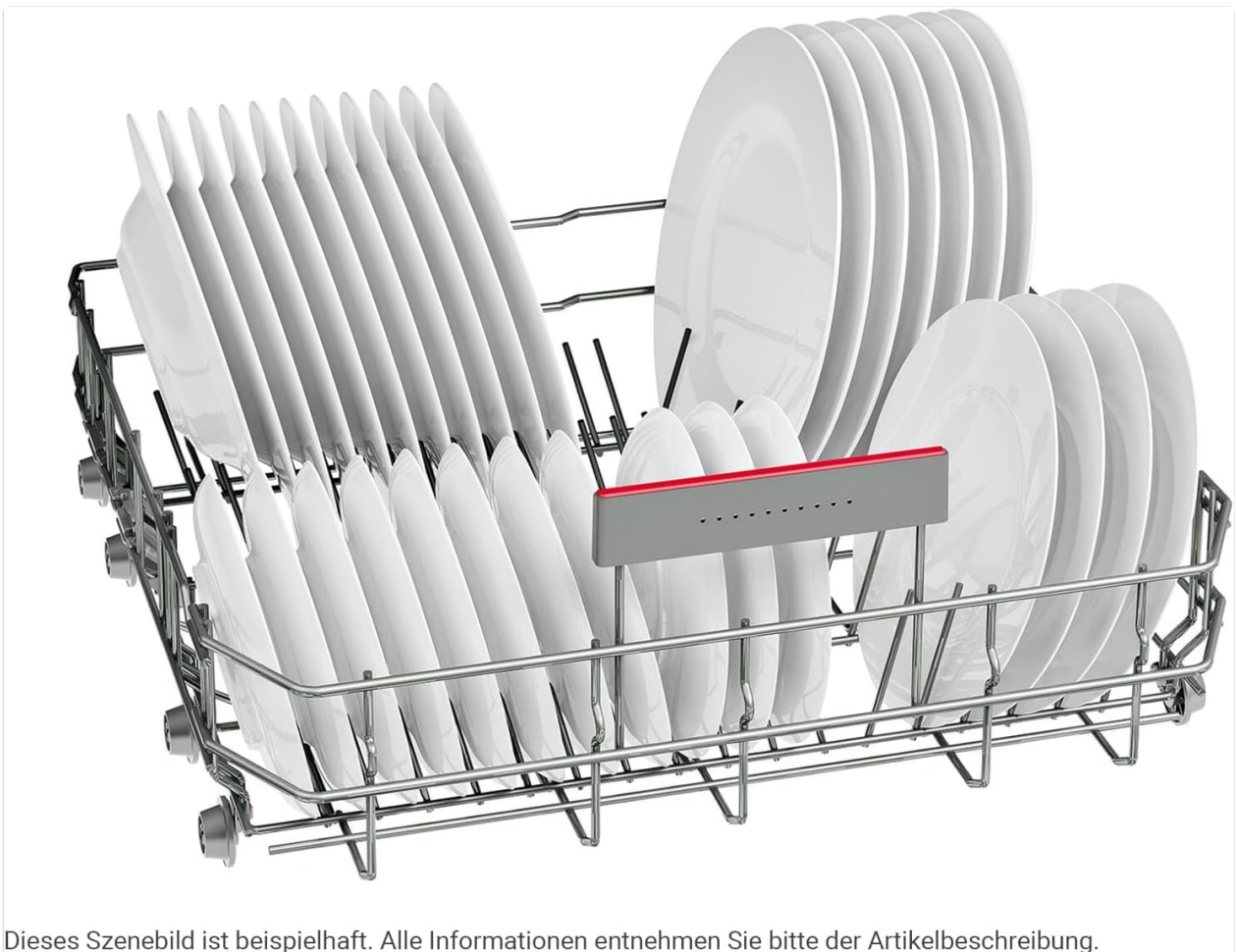
⚡ Steckdose

( ) Werte mit Verlängerungssatz

Figure 7: The dedicated cutlery tray for organized and effective cleaning of utensils.

### Upper Basket

Ideal for glasses, cups, and smaller bowls. The height of the upper basket can be adjusted to accommodate taller items in the lower basket.



Dieses Szenebild ist beispielhaft. Alle Informationen entnehmen Sie bitte der Artikelbeschreibung.

Figure 8: Example of loading the upper basket with glasses and cups.

### Lower Basket

Suitable for larger items such as plates, serving dishes, and pots. Foldable tines provide flexibility for different

load sizes.

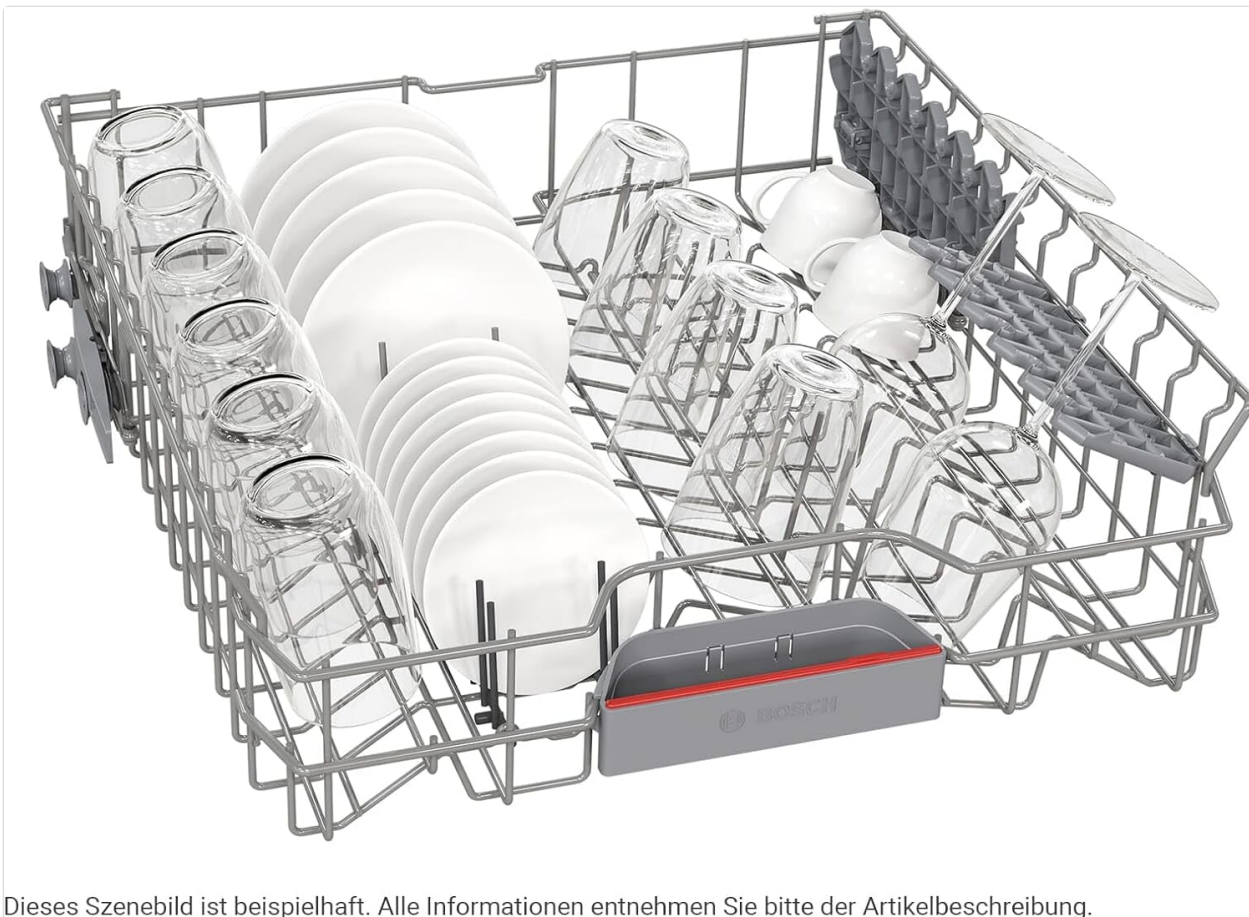


Figure 9: Example of loading the lower basket with dinner plates.

## 5. MAINTENANCE AND CARE

Regular maintenance ensures the longevity and performance of your dishwasher.

- **Cleaning Filters:** Periodically check and clean the filters at the bottom of the dishwasher to prevent blockages and ensure efficient water circulation.
- **Salt and Rinse Aid:** Monitor the indicator lights for salt and rinse aid levels and refill as needed. Using appropriate dishwasher salt prevents limescale buildup, and rinse aid improves drying performance.
- **Appliance Exterior:** Wipe the exterior and control panel with a soft, damp cloth. Avoid abrasive cleaners.
- **Interior Cleaning:** Run a dishwasher cleaner cycle occasionally to remove grease and odors.

## 6. TROUBLESHOOTING

Before contacting customer service, review the following common issues and solutions:

Problem	Possible Cause	Solution
Dishes not drying completely / Door remains wet	Residual steam trapped inside; insufficient rinse aid.	Slightly open the dishwasher door immediately after the cycle finishes to allow steam to escape. Ensure rinse aid dispenser is filled. Consider using the 'Extra Drying' function if available.
Strong odor of rinse aid	Rinse aid dispenser setting too high; combination of rinse aid and detergent capsule.	Adjust the rinse aid dispenser to a lower setting. If using all-in-one detergent capsules, you may not need additional rinse aid.
Unusual noises or vibrations	Improper loading; foreign object in pump; appliance not level.	Ensure dishes are not obstructing spray arms. Check the filter area for any foreign objects. Verify the dishwasher is level during installation.
Poor cleaning results	Incorrect program selection; overloaded baskets; blocked spray arms; insufficient detergent/salt.	Select an appropriate program for the soil level. Do not overload. Ensure spray arms can rotate freely. Check detergent and salt levels.

For issues not listed here or if problems persist, please contact Bosch customer support or a qualified service technician.

## 7. SPECIFICATIONS

Feature	Specification
Model Number	SMV46KX04E
Installation Type	Fully Integrated
Dimensions (W x D x H)	59.8 x 55 x 81.5 cm
Weight	36 kg
Capacity	13 Place Settings
Noise Level	46 dB
Energy Efficiency Class	E (formerly A++)
Energy Consumption per Cycle	0.92 kWh
Water Consumption per Cycle	9.5 L
Number of Programs	5 (Normal, Eco, Silent, Drying options)
Display Type	LED
Voltage	250V
Included Components	Cutlery basket, dish racks, drain hose, inlet hose

## **8. WARRANTY AND SUPPORT**

For warranty information, please refer to the documentation provided with your purchase or visit the official Bosch website for your region. Details regarding spare parts availability are typically provided by the manufacturer or authorized service centers.

For technical support or service requests, please contact Bosch customer service. Ensure you have your model number (SMV46KX04E) and purchase date available when contacting support.