

Manuals+

[Q & A](#) | [Deep Search](#) | [Upload](#)

manuals.plus /

> [Moen](#) /

> [Moen Align Brushed Nickel Non-Diverter 1/2-Inch Slip-Fit Tub Spout \(Model 195827BN\) User Manual](#)

Moen 195827BN

Moen Align Brushed Nickel Non-Diverter 1/2-Inch Slip-Fit Tub Spout (Model 195827BN) User Manual

Model: 195827BN

INTRODUCTION

This manual provides instructions for the installation, operation, and maintenance of the Moen Align Brushed Nickel Non-Diverter 1/2-Inch Slip-Fit Tub Spout, Model 195827BN. Please read these instructions carefully before beginning installation to ensure proper function and longevity of your product.



Image 1: The Moen Align Brushed Nickel Non-Diverter 1/2-Inch Slip-Fit Tub Spout, featuring a modern design and brushed nickel finish.

SETUP AND INSTALLATION

The Moen Align Tub Spout features a 1/2-inch slip-fit (CC) connection type, designed for straightforward installation onto a copper pipe extending from the wall. This non-diverter model is intended for use in bathtub applications where a separate shower diverter is present or not required.

Required Tools (Not Included):

- 5/32-inch Hex Wrench (Allen Key)
- Plumber's Tape (optional, for threaded connections if applicable)
- Soft Cloth

Installation Steps:

1. **Prepare the Water Supply:** Ensure the main water supply to the bathtub is turned off before beginning installation.
2. **Prepare the Pipe:** The copper pipe extending from the wall should be clean and free of debris. Ensure it extends an appropriate length for the slip-fit connection.

3. **Install the Spout:** Slide the tub spout over the copper pipe. The internal O-ring will create a seal.
4. **Secure the Spout:** Locate the hex screw on the underside of the tub spout. Use a 5/32-inch hex wrench to tighten this screw, securing the spout firmly to the copper pipe. Do not overtighten.
5. **Test for Leaks:** Turn the main water supply back on and check for any leaks around the connection point. If leaks occur, gently tighten the hex screw further.

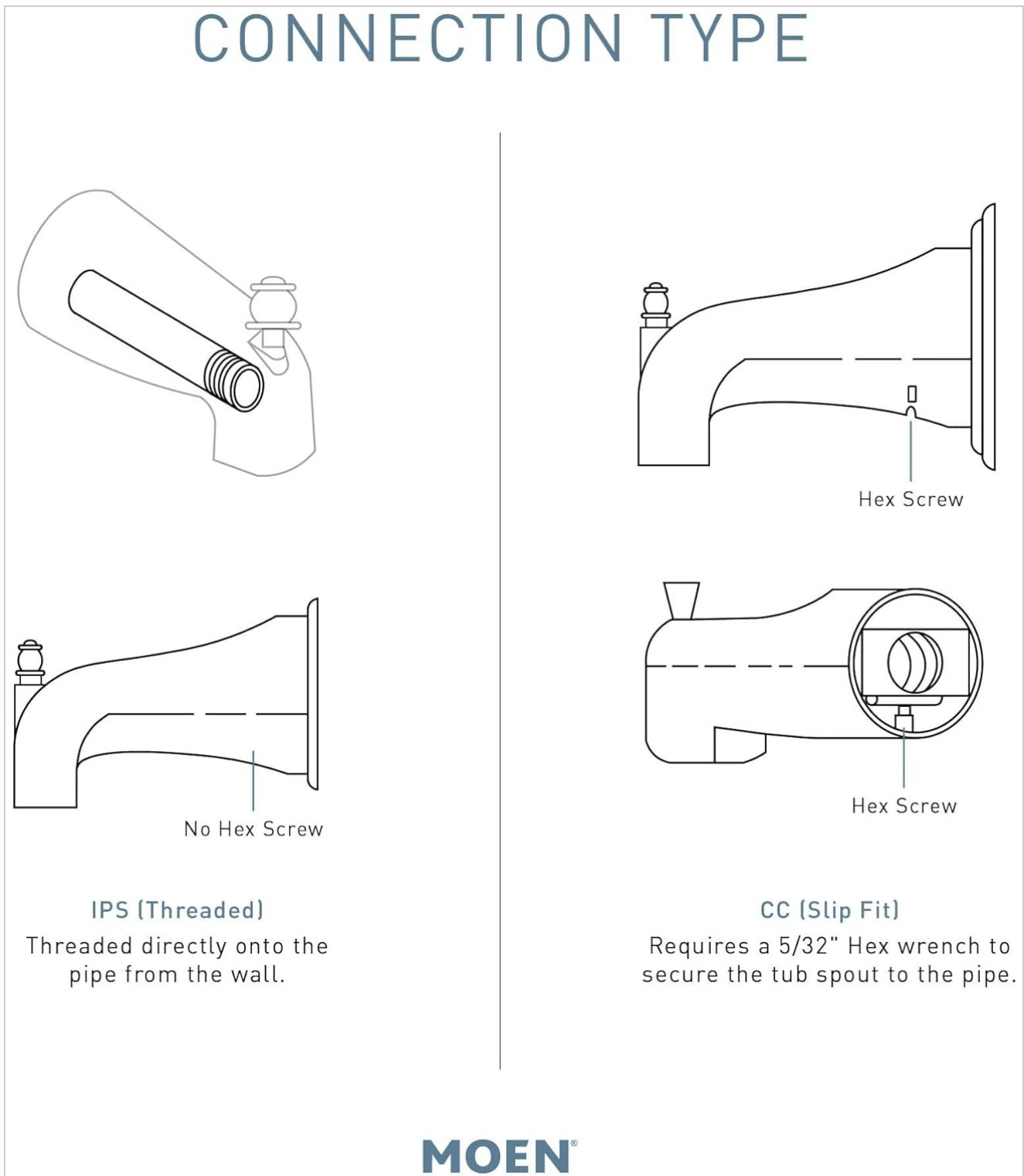


Image 2: This diagram illustrates different tub spout connection types. The Moen Align 195827BN uses the CC (Slip Fit) connection, which requires a 5/32-inch hex wrench to secure the tub spout to the pipe.

OPERATING INSTRUCTIONS

This is a non-diverter tub spout, meaning it does not have a mechanism to redirect water flow to a showerhead.

Water will flow directly from the spout when the bathtub faucet handles are opened. Ensure your shower system has a separate diverter if a shower function is desired.

MAINTENANCE

To maintain the finish and performance of your Moen Align tub spout, follow these guidelines:

- **Cleaning:** Clean the spout regularly with a soft, damp cloth. Avoid abrasive cleaners, harsh chemicals, or scouring pads, as these can damage the brushed nickel finish.
- **Spot Cleaning:** For water spots or fingerprints, use a mild soap solution and a soft cloth, then rinse thoroughly and dry.
- **Avoid Damage:** Do not use tools or excessive force when cleaning or performing any maintenance, as this may scratch or dent the finish.

TROUBLESHOOTING

If you encounter issues with your tub spout, refer to the following common problems and solutions:

Problem	Possible Cause	Solution
Water leaks from the base of the spout	Loose hex screw or damaged O-ring	Tighten the hex screw on the underside of the spout. If leaking persists, the internal O-ring may need replacement. Contact Moen support.
Low water flow from the spout	Debris in the water line or spout	Turn off water supply, remove the spout, and check for any obstructions in the pipe or the spout's interior. Flush the line if necessary.
Spout is loose on the pipe	Hex screw is not sufficiently tightened	Tighten the hex screw on the underside of the spout with a 5/32-inch hex wrench.

SPECIFICATIONS

Feature	Detail
Brand	Moen
Model Number	195827BN
Finish Type	Brushed Nickel
Material	Nickel
Connection Size	1/2 inch
Connection Type	Slip-fit (CC)
Mounting Type	Deck Mount (Wall-mounted pipe connection)

Feature	Detail
Product Dimensions	7.13 x 2.84 x 2.84 inches
Item Weight	1.66 pounds
Included Components	Tub Spout

WARRANTY INFORMATION

This Moen product is backed by Moen's Limited Lifetime Warranty. For specific details regarding warranty coverage and terms, please refer to the official Moen warranty documentation or visit the Moen website.

SUPPORT

For further assistance, technical support, or to order replacement parts, please contact Moen customer service. Contact information can typically be found on the official Moen website or on the product packaging.

