

[Manuals.plus](#) /

> [AMI PARTS](#) /

> AMI PARTS Dishwasher Upper Rack Wheel Replacement Manual for Kenmore, KitchenAid, Whirlpool (Model 8268743)

AMI PARTS 8268743

AMI PARTS Dishwasher Upper Rack Wheel Replacement Manual

Model: 8268743

1. PRODUCT OVERVIEW

The AMI PARTS 8268743 Dishwasher Upper Rack Wheel is a replacement component designed to restore the smooth operation of your dishwasher's upper rack. This part is crucial for the rack to slide in and out correctly, ensuring efficient loading and unloading of dishes. It is manufactured from durable ABS plastic to provide wear resistance and long-lasting performance.

Key features of this replacement part include:

- High-quality ABS plastic construction for durability.
- Designed for wear resistance and to prevent cracking.
- Facilitates smooth movement of the upper dish rack.

2. COMPATIBILITY

This 8268743 dishwasher upper rack wheel is compatible with various dishwasher models from brands such as Whirlpool, KitchenAid, and Kenmore. It replaces multiple part numbers, including 830899, AP6012252, PS11745459, EAP11745459, and WP8268743VP.

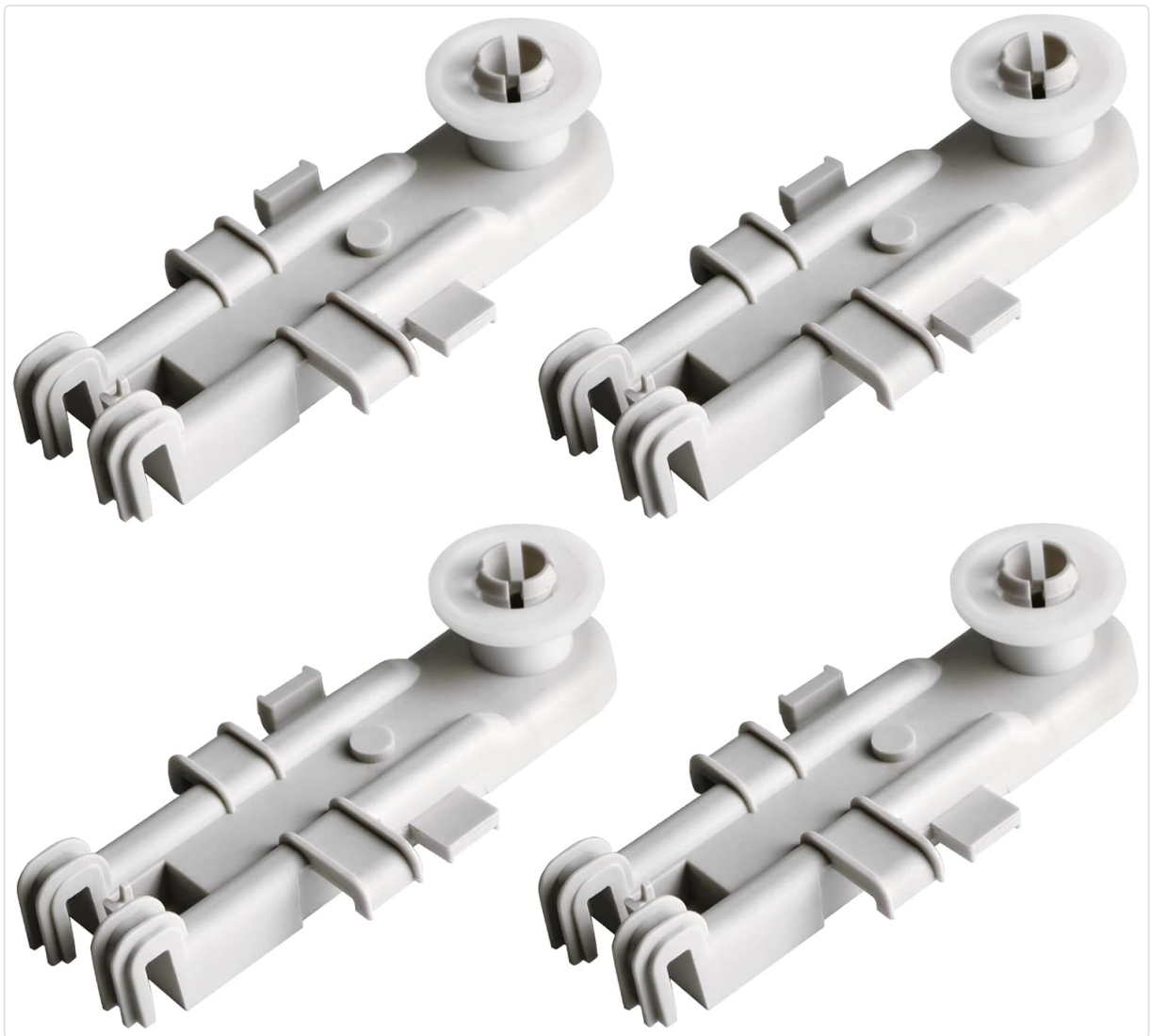
Some compatible models include (but are not limited to):

- Whirlpool: 7GU3200XTSS0, 7GU3200XTSS1, GU3200XTPQ3, GU640XTLQ0, GU640XTLQ1, GU3200XTPB3, GU3200XTPS3, 7DU1100XTSQ0, 7DU1100XTSQ1, 7DU1100XTSQ2, 7DU1100XTSQ5.
- Kenmore: 66513212K901, 66513212K902, 66513213K902, 66513219K901, 66513219K902, 66513472N412, 66513473N412.

If you are unsure about compatibility, please refer to your appliance's model number or contact customer support.

3. PACKAGE CONTENTS

Each package typically contains four (4) AMI PARTS 8268743 Dishwasher Upper Rack Wheels.



This image displays a set of four AMI PARTS 8268743 dishwasher upper rack wheels, which are replacement parts designed to facilitate the smooth movement of the dishwasher's upper rack.

4. SETUP & INSTALLATION

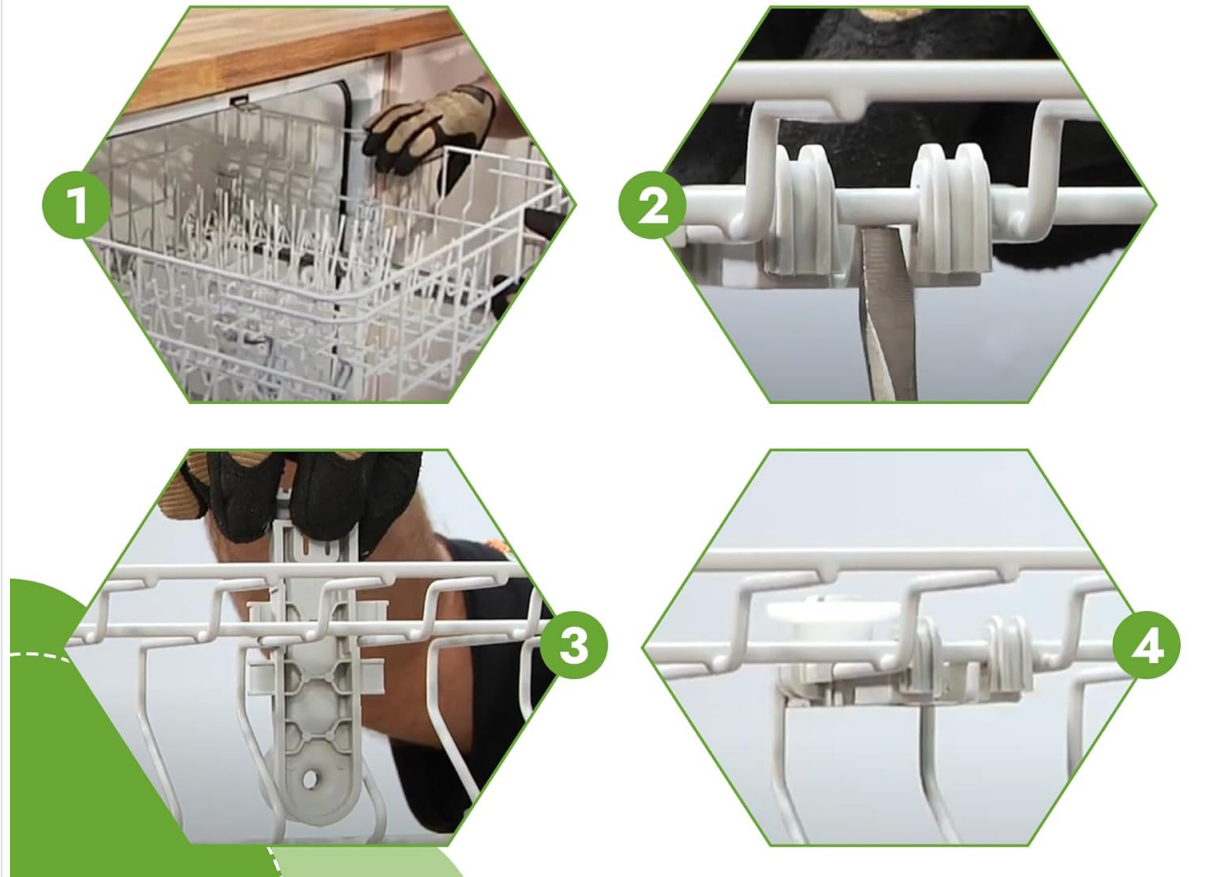
Safety Precaution: Before beginning any repair, always unplug the dishwasher from its power source and shut off the water supply to prevent electrical shock or water damage.

Follow these general steps for installation:

1. Carefully pull out the upper dish rack from the dishwasher.
2. Locate the clips at the end of the rack track that secure the old rollers. Gently remove these clips.
3. Slide out the old, damaged upper rack wheels.
4. Slide the new AMI PARTS 8268743 wheels into position on the rack track.
5. Ensure the locking tab on the new holder is pushed up to secure it in place.
6. Re-install the clips at the end of the track.
7. Carefully slide the upper rack back into the dishwasher.

EASY DIY FIX

Please unplug and turn off the water supply to the dishwasher before repairing



This visual guide provides four steps for installing the dishwasher upper rack wheel. Step 1 shows removing the upper rack, Step 2 shows detaching the old wheel, Step 3 shows attaching the new wheel, and Step 4 shows securing the new wheel in place.

Your browser does not support the video tag.

This video provides a general overview of AMI PARTS' commitment to quality and customer service, which is relevant when considering replacement parts for your appliances.

5. OPERATING INSTRUCTIONS

Once installed, the new upper rack wheels will allow your dishwasher's upper rack to glide smoothly along its tracks. No special operating procedures are required for the wheels themselves; they integrate seamlessly with your dishwasher's existing functionality.

6. MAINTENANCE

The 8268743 dishwasher upper rack wheels are designed for long-term use with minimal maintenance. Periodically inspect the wheels for any signs of wear or damage. Ensure that no food debris or foreign objects are obstructing their movement along the rack tracks. Cleaning the wheels and tracks with a damp cloth can help maintain their smooth operation.

MADE OF ABS PLASTIC MATERIAL

Well-tested by the manufacturer



This image contrasts a new, clean dishwasher wheel made of ABS plastic with an old, corroded wheel, highlighting the durability and wear resistance of the replacement part.

7. TROUBLESHOOTING

Replacing the 8268743 upper rack wheels can resolve several common dishwasher issues related to the upper rack's functionality. These symptoms include:

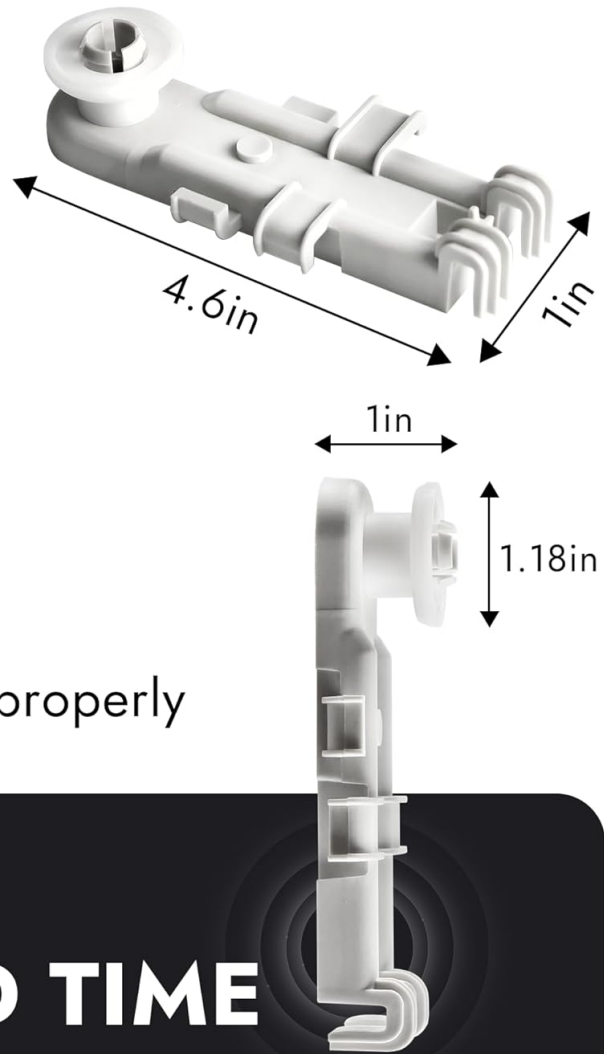
- **Door won't close:** Damaged wheels can prevent the rack from fully retracting, obstructing the door.
- **Noisy operation:** Worn or broken wheels can cause grinding or squeaking sounds when moving the rack.
- **Not cleaning dishes properly:** If the rack is not positioned correctly due to faulty wheels, water spray may not reach all dishes effectively.
- **Door latch failure:** In some cases, a misaligned or obstructed rack can interfere with the door latch mechanism.

DISHWASHER WHEEL

8268743 Wheel

**FIXES THE
FOLLOWING
SYMPTOMS:**

- 01 Noisy
- 02 Door latch failure
- 03 Door won't close
- 04 Not cleaning dishes properly



**SAVE YOUR
MONEY AND TIME**

This diagram illustrates the dimensions of the 8268743 dishwasher wheel, measuring 4.6 inches in length and 1 inch in width, along with a list of common dishwasher issues that this part is designed to resolve, such as noise, door latch failure, door not closing, and improper dish cleaning.

8. SPECIFICATIONS

Brand	AMI PARTS
Model Number	8268743
Replaces Part Numbers	830899, AP6012252, PS11745459, EAP11745459, WP8268743VP
Material	ABS Plastic
Item Dimensions (Length x Diameter)	4.6 inches x 1 inch (11.7 cm x 2.5 cm)
Item Weight	4 ounces (per 4-pack)
Color	White
UPC	757818007645

9. WARRANTY AND SUPPORT

AMI PARTS is committed to customer satisfaction. If you encounter any questions or issues regarding your 8268743 dishwasher upper rack wheels, please contact our customer service team through your order details. We aim to respond and resolve your concerns within 24 hours.