



[Manuals.plus](#) /

> [SARTODOORS](#) /

> SARTODOORS Quadro 4111 Sliding Closet Bypass Doors 72x80 Installation and User Manual

SARTODOORS 4111

SARTODOORS Quadro 4111 Sliding Closet Bypass Doors 72x80 Installation and User Manual

Model: Quadro 4111 | Size: 72" x 80" (2x 36"x80")

INTRODUCTION

This manual provides detailed instructions for the installation, operation, and maintenance of your SARTODOORS Quadro 4111 Sliding Closet Bypass Doors. Please read all instructions carefully before beginning installation to ensure proper function and safety. These doors are designed for interior closet applications, offering a modern aesthetic and efficient space utilization.



Image: Front view of the SARTODOORS Quadro 4111 Sliding Closet Bypass Doors.

SAFETY INFORMATION

- Always wear appropriate personal protective equipment (PPE) such as safety glasses and gloves during installation.
- Ensure the installation area is clear of obstructions and well-lit.
- Verify that the wall structure can support the weight of the doors and hardware.
- Use caution when handling door panels to prevent injury or damage.

- Keep small parts and tools out of reach of children.

PACKAGE CONTENTS

The SARTODOORS Quadro 4111 Sliding Closet Bypass Door set includes the following components:

- 2 x White Door Panels (36"x80" each)
- 2 x Aluminum Tracks
- 4 x Ball Bearing Wheel Door Hangers
- 1 x Door Guide Set
- 1 x Door Stop
- 2 x Satin Nickel Pulls
- 1 x Adjustment Wrench
- All necessary mounting screws

SET | INCLUDES:



Image: All hardware components included in the SARTODOORS bypass door set.

PRODUCT SPECIFICATIONS

Feature	Specification
Brand	SARTODOORS
Model	Quadro 4111

Feature	Specification
Door Dimensions (each)	36" W x 80" H
Total Opening Width (Recommended)	71"
Total Opening Height (Recommended)	82 1/2"
Material	Solid MDF with Eco-Veneer finish
Color	White Ash
Door Thickness	1 3/5"
Item Weight	120 Pounds (total)
Assembly Required	Yes
UPC	798418856004



SCHEME | OF DOOR:



Image: Scheme illustrating the construction of a SARTODOORS door panel.

INSTALLATION INSTRUCTIONS

Follow these steps for proper installation of your SARTODOORS bypass doors. It is recommended to have two people for certain steps.

1. Prepare the Opening

1. Measure your closet opening. The recommended opening for this 72"x80" door set is 71" wide by 82 1/2" high.
2. Ensure the opening is plumb, level, and square.

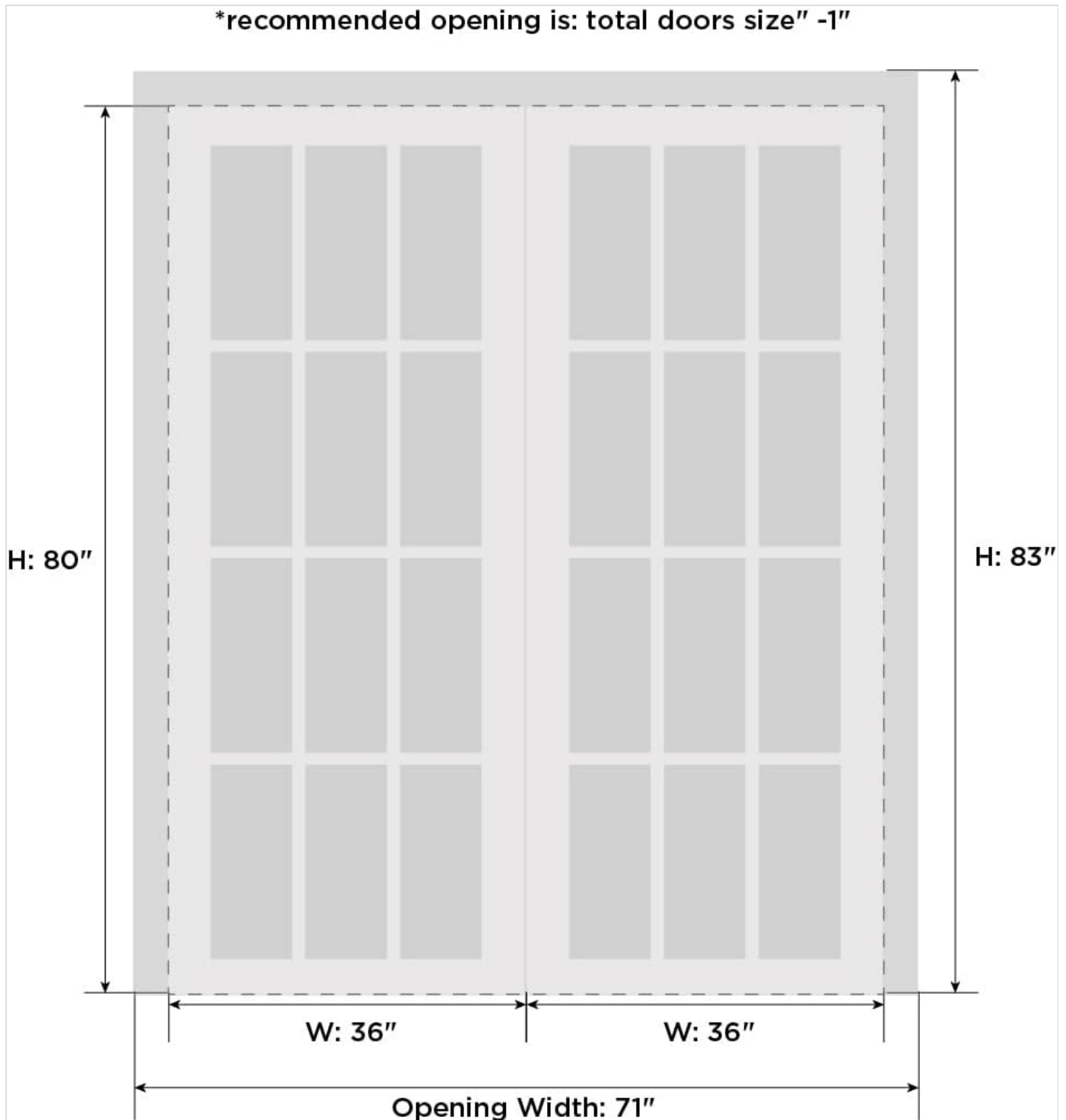


Image: Recommended opening dimensions for the 72"x80" bypass door set.

2. Install the Tracks

1. Mount the aluminum tracks securely to the header of your closet opening using the provided screws. Ensure the tracks are level and properly aligned.

2. The top-hung hardware means all door weight is suspended from the track.



Image: Diagram showing the top-hung hardware installation with precision extruded jump-proof box track.

3. Prepare the Doors

1. The door panels come without pre-drilled holes for hardware. You will need to drill a groove for the floor guide.
2. Attach the ball bearing wheel door hangers to the top edge of each door panel. These hangers are height adjustable.
3. Install the satin nickel pulls at your desired height on the door panels.

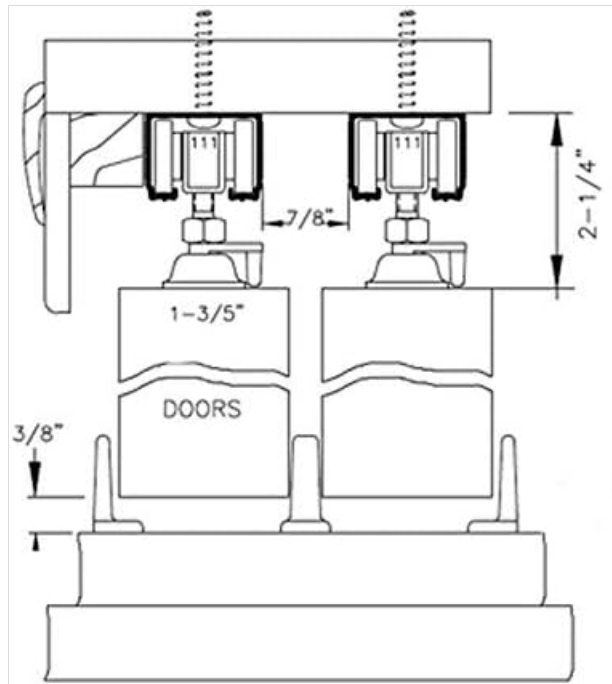


Image: Technical diagram detailing door thickness (1-3/5") and clearance dimensions for the hangers and floor guide.

4. Hang the Doors

1. Carefully lift each door panel and engage the door hangers with the tracks.
2. Adjust the height of the doors using the adjustable hangers to ensure they clear the floor and operate smoothly.

5. Install Door Guide and Stops

1. Install the door guide set on the floor to prevent the doors from swinging. The adjustable door guide accommodates various door thicknesses.
2. Place the door stops at the ends of the tracks to prevent the doors from rolling off.



Image: SARTODOORS Quadro 4111 bypass doors shown installed in a closet, demonstrating their functionality.

OPERATION

Your SARTODOORS Quadro 4111 bypass doors are designed for smooth and quiet operation. To open or close the doors, gently slide them along the tracks using the installed pulls. The bypass design allows one door to slide in front of the other, providing full access to your closet space.

MAINTENANCE

- **Cleaning:** Wipe door surfaces with a soft, damp cloth. Avoid abrasive cleaners or harsh chemicals that may damage the eco-veneer finish.
- **Track Maintenance:** Periodically inspect the tracks for any debris or dust. Clean the tracks with a vacuum or a damp cloth to ensure smooth gliding.
- **Hardware Check:** Annually check all screws and hardware for tightness. Tighten any loose fasteners to maintain stability and proper function.
- **Lubrication:** If the doors begin to stick or become difficult to slide, apply a silicone-based lubricant to the wheel hangers and tracks.

TROUBLESHOOTING

- **Doors are difficult to slide:** Check tracks for obstructions or dirt. Lubricate hangers and tracks. Verify that the doors are properly aligned and not rubbing against each other or the frame.
- **Doors are uneven:** Use the adjustment wrench to fine-tune the height of the ball bearing wheel door hangers until the doors are level.
- **Doors come off track:** Ensure door stops are securely in place. Check if the hangers are properly seated in the track. The jump-proof design minimizes this issue, but extreme force or improper installation can still cause it.
- **Doors do not close completely:** Inspect the floor guide for proper installation and alignment. Ensure no debris is blocking the door's path.

WARRANTY AND SUPPORT

SARTODOORS products are manufactured to high-quality standards. For specific warranty details or technical support, please refer to the warranty card included with your purchase or contact SARTODOORS customer service directly. A full range of hardware and customization options are available to meet your needs.

For further assistance, visit the official SARTODOORS website or contact their support team.