

Manuals+

[Q & A](#) | [Deep Search](#) | [Upload](#)

manuals.plus /

› [Creavit](#) /

› [CREAVIT FE322 Wall-Hung Rimless Bidet Toilet with Soft-Close Seat Instruction Manual](#)

Creavit FE322

CREAVIT FE322 Wall-Hung Rimless Bidet Toilet with Soft-Close Seat

Model: FE322 (Reference: 2Z-GKS8-NLDC)

1. INTRODUCTION

Thank you for choosing the CREAVIT FE322 Wall-Hung Rimless Bidet Toilet. This manual provides essential information for the safe installation, proper operation, and effective maintenance of your new toilet. Please read these instructions carefully before installation and retain them for future reference.

2. SAFETY INFORMATION

- Installation should be performed by a qualified professional plumber to ensure correct setup and prevent water damage.
- Ensure the main water supply is turned off before beginning any installation or maintenance work.
- Handle ceramic components with care as they are heavy and fragile. Use appropriate lifting techniques.
- Do not use abrasive cleaners or harsh chemicals on any part of the toilet, as this may damage the finish or internal components.
- Ensure all connections are watertight to prevent leaks.

3. PACKAGE CONTENTS

Please verify that all components are present and undamaged before proceeding with installation.

- CREAVIT FE322 Wall-Hung Toilet Bowl (Ceramic)
- Duroplast Soft-Close Toilet Seat and Cover
- Installation hardware (typically included with wall-hung toilets, though not explicitly detailed in product specifications)

4. SETUP AND INSTALLATION

4.1 Pre-Installation Checklist

- Confirm availability of a suitable wall-mounting frame (concealed cistern system) compatible with standard wall-hung toilets.
- Ensure water supply lines and waste pipe connections are correctly positioned according to the toilet's dimensions.
- Gather necessary tools: wrench, screwdriver, level, measuring tape, sealant, drill (if required for frame installation).

4.2 Installation Steps

1. **Prepare the Wall Frame:** Install the wall-mounting frame and concealed cistern according to the manufacturer's instructions. Ensure it is securely fixed and level.
2. **Connect Water Supply:** Connect the water supply line to the bidet function's inlet on the toilet bowl. Ensure a watertight seal.
3. **Connect Waste Pipe:** Attach the waste pipe to the toilet outlet, ensuring a secure and leak-free connection to the wall-mounted waste system.
4. **Mount the Toilet Bowl:** Carefully lift the toilet bowl and align it with the mounting bolts on the wall frame. Slide the bowl onto the bolts.
5. **Secure the Toilet:** Attach the washers and nuts to the mounting bolts and tighten them evenly until the toilet is firmly secured to the wall. Do not overtighten.
6. **Apply Sealant:** Apply a bead of silicone sealant around the perimeter where the toilet meets the wall for a clean finish and added stability.
7. **Install the Soft-Close Seat:** Follow the instructions provided with the seat for proper attachment to the toilet bowl.
8. **Test Connections:** Turn on the main water supply and check all connections for leaks. Flush the toilet and test the bidet function.

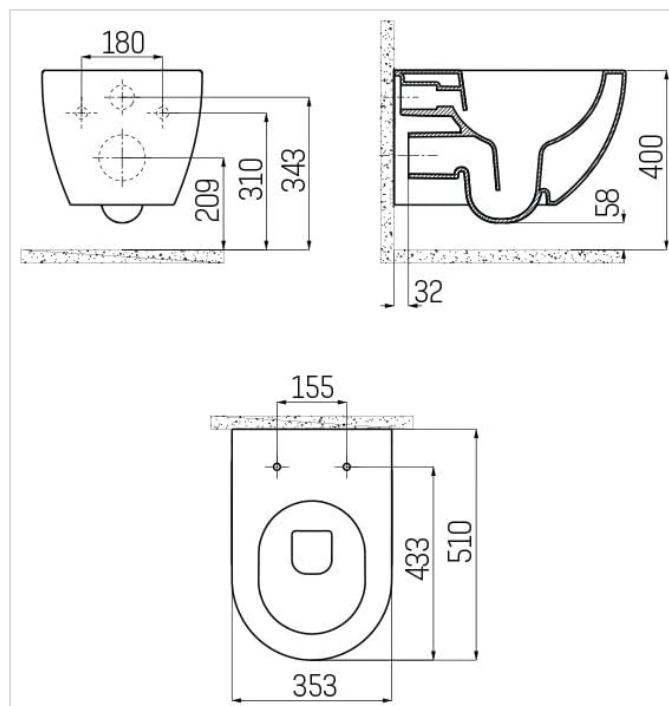


Figure 1: Installation Dimensions Diagram. This diagram illustrates the critical measurements for the wall-hung toilet, including

front, side, and top views, to assist with accurate rough-in and mounting.

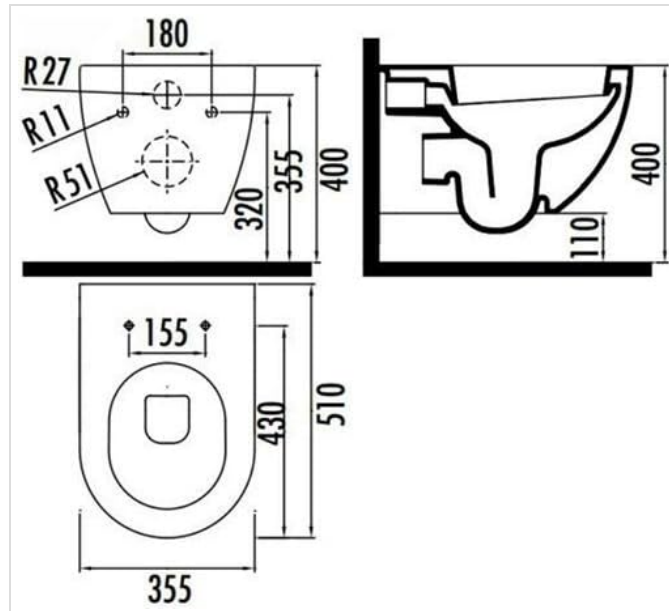


Figure 2: Additional Installation Dimensions. This diagram provides further dimensional details, potentially offering alternative or more specific measurements for the wall-hung toilet's mounting points and overall size.

5. OPERATING INSTRUCTIONS

5.1 Flushing

The CREAMIT FE322 is designed for use with a concealed cistern and flush plate (not included). Operate the flush mechanism according to the instructions provided with your chosen flush plate.

5.2 Bidet Function (Taharet)

The integrated Taharet bidet function provides a hygienic wash. To activate, use the control knob or lever typically located on the side of the toilet or integrated into the wall-mounted flush plate system. Adjust water pressure and temperature (if applicable to your plumbing setup) as desired.



Figure 3: Bidet Nozzle Detail. This image shows a top-down view of the toilet bowl with the seat raised, highlighting the integrated bidet nozzle for the Taharet function.

5.3 Soft-Close Seat

The Duroplast soft-close seat and cover are designed to close slowly and quietly, preventing slamming. Simply push the seat or cover down gently, and it will lower itself automatically.



Figure 4: Soft-Close Seat. A side profile view of the toilet seat, demonstrating its design and the soft-close mechanism.

6. CARE AND MAINTENANCE

6.1 Cleaning the Ceramic

Clean the ceramic surface regularly with a soft cloth and a mild, non-abrasive bathroom cleaner. Avoid using harsh chemicals, abrasive pads, or scouring powders, as these can damage the glaze.

6.2 Cleaning the Bidet Nozzle

Periodically clean the bidet nozzle. Most bidet nozzles are self-cleaning or can be gently wiped with a soft cloth and mild soap. Refer to your bidet control system's manual for specific cleaning instructions if available.

6.3 Seat Maintenance

Clean the Duroplast seat and cover with a soft cloth and mild soap or a specialized toilet seat cleaner. Do not use strong disinfectants or abrasive cleaners, as they can discolor or damage the plastic.

7. TROUBLESHOOTING

Issue	Possible Cause	Solution
Water leak from connections	Loose connections, damaged seals	Turn off water supply. Tighten connections. Replace seals if damaged. Consult a plumber if necessary.
Weak bidet spray	Low water pressure, clogged nozzle	Check household water pressure. Clean the bidet nozzle for mineral deposits.
Toilet seat not soft-closing	Hinge mechanism obstruction or damage	Check hinges for obstructions. Clean hinges. If damaged, contact manufacturer for replacement parts.

Issue	Possible Cause	Solution
Toilet not flushing properly	Issue with concealed cistern or flush plate	Refer to the instruction manual for your concealed cistern and flush plate.

8. TECHNICAL SPECIFICATIONS

Feature	Specification
Brand	Creavit
Model Number	FE322 (Reference: 2Z-GKS8-NLDC)
Product Type	Wall-Hung Rimless Bidet Toilet
Installation Method	Wall-mounted
Material (Toilet Bowl)	Ceramic
Material (Toilet Seat)	Duroplast (Soft-Close)
Color	White
Shape	Oval
Dimensions (L x W x H)	51 x 35 x 34 cm
Weight	28 Kilograms
Included Components	Toilet with Soft-Close Seat



Figure 5: CREAVIT FE322 Product View. This image displays the overall design and appearance of the wall-hung rimless bidet toilet with its soft-close seat.

9. WARRANTY AND CUSTOMER SUPPORT

Information regarding the product warranty and availability of spare parts is not provided in the current product details. For warranty claims, technical assistance, or to inquire about spare parts, please contact your retailer or the manufacturer, Creavit, directly.

