

[Manuals.plus](#) /

> [BLACK+DECKER](#) /

> BLACK+DECKER dustbuster AdvancedClean+ Cordless Handheld Vacuum HHVK515JP07 Instruction Manual

BLACK+DECKER HHVK515JP07

BLACK+DECKER dustbuster AdvancedClean+ Cordless Handheld Vacuum

Model: HHVK515JP07

PRODUCT OVERVIEW

The BLACK+DECKER dustbuster AdvancedClean+ Cordless Handheld Vacuum is designed for efficient cleaning, especially for pet owners. This portable and rechargeable vacuum offers powerful suction with its 20V MAX* lithium-ion battery and features like POWERBOOST mode for enhanced cleaning. It includes an XL extendable crevice tool and is part of the BLACK+DECKER dustbuster family.



Image: The BLACK+DECKER dustbuster AdvancedClean+ Cordless Handheld Vacuum, showcasing its compact design and integrated pet brush.

INCLUDED COMPONENTS

Your BLACK+DECKER dustbuster AdvancedClean+ comes with the following components:

- HHVK515JP07 Hand Vacuum Unit
- Jack Plug Charger
- Motorized Pet Brush
- Washable Pre-filter + Filter (HHVKF10)
- XL Extendable Crevice Tool

Includes:



**Motorized
Pet Brush**



**Washable Filter +
Pre-Filter**



**XL Extendable
Crevice Tool**



Jack Plug Charger



Image: A visual representation of all components included with the vacuum: the main unit, motorized pet brush, washable filter and pre-filter, XL extendable crevice tool, and jack plug charger.

SETUP

Initial Charging

Before first use, fully charge the vacuum. The charging time is approximately 240 minutes (4 hours). Ensure the charger is correctly plugged into a working electrical outlet and the charger cord is not damaged.

Attaching Accessories

To attach the Motorized Pet Brush or XL Extendable Crevice Tool, align the accessory with the vacuum's nozzle and push firmly until it clicks into place. Ensure the unit is turned off when attaching or removing accessories.



POWERBOOST™ button for more suction with a push of a button

Image: A diagram highlighting key features such as the POWERBOOST button, washable bowl, pre-filter + filter, XL dustbin, XL extendable crevice tool, and motorized pet brush.

OPERATING INSTRUCTIONS

Powering On and Off

Press the power button once for standard suction. Press it again to activate POWERBOOST mode for increased suction power. Press a third time to turn the unit off. The vacuum has 2 speeds.

Using the XL Extendable Crevice Tool

To extend the crevice tool, pull it out from the vacuum nozzle until it clicks in place. To collapse it, push it into the vacuum nozzle until it clicks in place. This tool is ideal for reaching tight spaces in your home or car.



Motorized pet brush for stubborn pet hair

Image: A man demonstrating the use of the XL extendable crevice tool to clean hard-to-reach areas inside a car, highlighting its utility for automotive cleaning.

Using the Motorized Pet Brush

The motorized pet brush features rubber bristles designed to effectively lift stubborn debris and pet hair from carpets, furniture, and other surfaces. Attach the brush to the vacuum nozzle before use. Do not use directly on pets.



XL extendable crevice tool for hard-to-reach spaces

Image: A woman using the motorized pet brush attachment to clean a pet bed, demonstrating its effectiveness in removing pet hair from fabric surfaces.

Recommended Uses

This handheld vacuum is recommended for use on carpets, furniture, and general home cleaning. Its portable and lightweight design also makes it suitable for car interiors.



Image: A man cleaning a small rug with the BLACK+DECKER dustbuster, with a golden retriever dog observing nearby, illustrating its use for quick clean-ups.

MAINTENANCE

Emptying and Cleaning the Product

For optimal performance, the filters must be cleaned regularly. The dust bowl features a one-touch easy empty mechanism, allowing you to empty debris without touching it.

1. Hold the dust bowl over a trash can and press the dust bowl release button to release the dust bowl access door.
2. While holding the dust bowl over a trash can, lightly shake it to empty the dust bowl.
3. Lift the pre-filter out of the dust bowl.
4. Lift the filter out of the dust bowl.

5. While holding the dust bowl over a trash can, empty the dust bowl.
6. Install the filter into the dust bowl, then install the pre-filter.
7. Close the dust bowl access door until it clicks firmly into place.

WARNING: Never use the appliance without the filters. Optimum dust collection will only be achieved with a clean filter.

Removing Motorized Brush for Cleaning

The unit needs to be switched off when the motorized brush is attached or detached.

1. Pull the plastic retaining tabs outward, away from the recesses.
2. Pull the vacuum nozzle from the motorized brush.

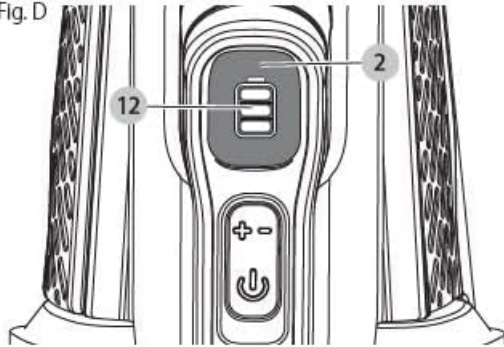
ENGLISH

The state of charge indicator is an indication of approximate levels of charge remaining in the battery pack according to the following indicators:

The LED battery indicator displays the remaining charge and warns you when the battery is low. The final LED will flash continuously when there is only 1 minute of runtime remaining. All LEDs will flash when the unit is discharged.

NOTE: The state of charge indicator is only an indication of the charge left on the battery. It does not indicate tool functionality and is subject to variation based on product components, temperature and end-user application.

Fig. D



Extendable Crevice Tool

1. To extend the crevice tool **4**, pull it out from the vacuum nozzle **3** until it clicks in place.
2. To collapse the crevice tool **4**, push it into the vacuum nozzle **3** until it clicks in place.

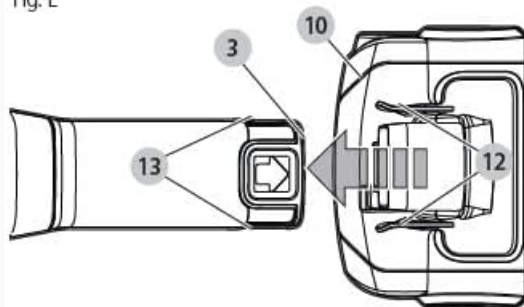
Attaching Motorized Brush (Fig. G)

CAUTION: The unit needs to be switched off when the motorized brush is attached or detached.

NOTE: Do not use directly on pets.

1. Slide the vacuum nozzle **3** into the opening of the motorized brush **10**.
2. Ensure that the plastic retaining tabs **12** engage with the recesses **13**. An audible click will be heard.

Fig. E



Removing motorized brush

CAUTION: The unit needs to be switched off when the motorized brush is attached or detached.

1. Pull the the plastic retaining tabs **12** outward, away from the recesses **13**.
2. Pull the vacuum nozzle **3** from the motorized brush **10**.

Dry pick up

For everyday spills of dry material.

- Do not fill the dust bowl **5** beyond the end of the filter.

Optimizing the suction force

In order to keep the suction force optimized, the filters must be cleared regularly during use.

Emptying and cleaning the product.

Removing the dust bowl and filter (Fig. E, F)

WARNING: The filter is reusable and should be cleaned regularly.

1. Hold the dust bowl over a trash can before pressing the dust bowl release button **6** to release the dust bowl access door **11** as shown in figure E.
2. While holding the dust bowl over a trash can, lightly shake it to empty the dust bowl **5**.
3. Lift the prefilter **12** out of the dust bowl **5** as shown in figure F.
4. Lift the filter **13** out of the dust bowl **5**.
5. While holding the dust bowl over a trash can, empty the dust bowl **5**.
6. Install the filter **13** into the dust bowl **5**, then install the prefilter **12** into the dust bowl **5**.
7. Close the dust bowl access door **11** until it clicks firmly into place.

WARNING: Never use the appliance without the filters. Optimum dust collection will only be achieved with a clean filter.

Fig. E

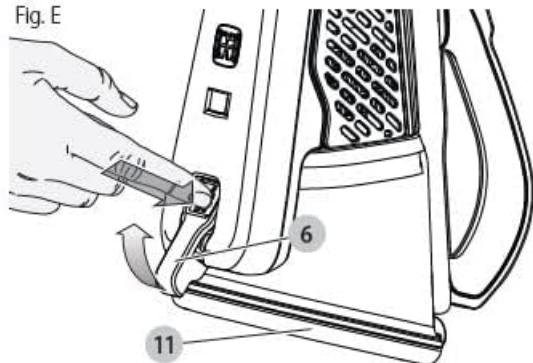


Image: A section from the product manual detailing instructions for removing the motorized brush and emptying/cleaning the dust bowl and filter.

TROUBLESHOOTING

If the product does not work, check the following:

- The charger was correctly plugged in for recharge. (It may feel slightly warm to the touch.)
- The charger cord is not damaged and is correctly attached.
- The charger is plugged into a working electrical outlet.

TROUBLESHOOTING

If the product does not work, check the following:

- The charger was correctly plugged in for recharge. (It feels slightly warm to the touch.)
- The charger cord is not damaged and is correctly attached.
- The charger is plugged into a working electrical outlet.

For assistance with your product, visit our website www.blackanddecker.com for the location of the service center nearest you or call the BLACK+DECKER help line at **1-800-544-6986**.

Image: A section from the product manual outlining common troubleshooting steps for the vacuum not operating.

SPECIFICATIONS

Model Name	HHVK515JP07
Brand	BLACK+DECKER
Form Factor	Handheld
Connectivity Technology	Cordless
Battery Type	Lithium-Ion (20V MAX*)
Charging Time	240 minutes
Battery Life	Approximately 20 minutes
Capacity	0.18 Gallons
Noise Level	78 dB
Item Weight	2.6 pounds
Product Dimensions	6.3"L x 3.15"W x 2.56"H
Filter Type	Replaceable, Reusable
Number of Speeds	2

WARRANTY INFORMATION

This BLACK+DECKER dustbuster AdvancedClean+ Handheld Vacuum (HHVK515JP07) is covered by a **2-year limited warranty**. Please retain your proof of purchase for warranty claims.

SUPPORT

For assistance with your product, including service center locations or further inquiries, please visit the official BLACK+DECKER website or contact customer support:

- **Website:** www.blackanddecker.com
- **Customer Service:** 1-800-544-6986