

Manuals+

[Q & A](#) | [Deep Search](#) | [Upload](#)

manuals.plus /

› [VINLUZ](#) /

› [VINLUZ 5 Light Contemporary Chandelier Instruction Manual \(Model 1810-5-11\)](#)

VINLUZ 1810-5-11

VINLUZ 5 Light Contemporary Chandelier Instruction Manual

Model: 1810-5-11

1. INTRODUCTION

Thank you for choosing the VINLUZ 5 Light Contemporary Chandelier. This manual provides essential information for the safe installation, operation, and maintenance of your new lighting fixture. Please read these instructions thoroughly before beginning installation and retain them for future reference.



Image 1: The VINLUZ 5 Light Contemporary Chandelier, featuring a black finish and clear glass shades.

2. SAFETY INFORMATION

WARNING: To reduce the risk of fire, electric shock, or personal injury, always follow these safety precautions:

- Always turn off the electrical supply at the main fuse or circuit breaker box before beginning installation.
- Consult a qualified electrician if you are not familiar with electrical wiring installation.
- All electrical connections must be in accordance with local codes, ordinances, or the National Electric Code (NEC).
- Use only the recommended bulb type and wattage (E26 base, 60W max per bulb).
- Do not connect this fixture to an ungrounded electrical system.
- Do not handle the fixture or bulbs with wet hands.
- Ensure the fixture is securely mounted to a structural element of the ceiling.

3. WHAT'S INCLUDED

Carefully unpack all components and inspect for any damage. Keep all packaging materials until you are satisfied with the product. The package should contain the following:

- Chandelier Fixture Body (with 5 light sockets)
- 5 Clear Glass Shades
- Mounting Hardware (canopy, mounting plate, screws, wire nuts)
- Adjustable Stems (four 10-inch hard stems for height adjustment)

Note: Light bulbs are not included.

4. INSTALLATION GUIDE

4.1 Pre-Installation

1. **Turn off Power:** Locate the circuit breaker or fuse box and turn off the power to the junction box where you will install the fixture.
2. **Prepare Tools:** Gather necessary tools (screwdriver, wire strippers, electrical tape, ladder).
3. **Unpack Components:** Carefully remove all parts from the packaging.

4.2 Assembly Steps

1. **Attach Stems:** Determine the desired hanging height. Connect the appropriate number of 10-inch stems to the fixture body and the canopy. Ensure all connections are secure. The design allows for no visible wiring, providing a clean finish.
2. **Mounting Plate:** Secure the mounting plate to the ceiling junction box using the provided screws.
3. **Electrical Connections:** Connect the fixture's wires to the house wires according to standard electrical practices (black to black, white to white, ground to ground). Use wire nuts to secure connections and wrap with electrical tape for added safety.
4. **Attach Canopy:** Carefully push the canopy up to the ceiling, covering the junction box, and secure it to the mounting plate with the provided screws.
5. **Install Glass Shades:** Gently attach each clear glass shade to its respective light socket holder on the fixture.
6. **Insert Bulbs:** Screw in E26 base bulbs (max 60W each, not included) into each socket.

Easy To Install



Vaulted or Sloped
Ceilings



High Quality Finish

E26 Base



Image 2: Visual guide for chandelier installation, highlighting features like vaulted ceiling compatibility and E26 bulb base.

4.3 Mounting Options

This chandelier is designed for versatility. It can be mounted on both flat and vaulted or sloped ceilings. The adjustable stems allow for various hanging heights to suit your space.



Image 3: The chandelier can be installed with the glass shades facing either upwards or downwards, offering aesthetic flexibility.

5. OPERATING INSTRUCTIONS

Once installed, restore power to the circuit. The chandelier operates via a standard wall switch. For dimming functionality, ensure you use dimmable E26 bulbs and a compatible dimmer switch (not included).



Image 4: The chandelier requires E26 base bulbs, with a maximum wattage of 60W per bulb, operating at 110V-120V.

6. MAINTENANCE

To maintain the appearance and functionality of your VINLUZ chandelier, follow these simple maintenance guidelines:

- **Cleaning:** Always turn off the power before cleaning. Wipe the metal parts with a soft, dry cloth. The clear glass shades can be removed and washed with mild soap and water, then dried thoroughly before reattaching.
- **Bulb Replacement:** Ensure the fixture is cool before replacing bulbs. Use only E26 base bulbs, not exceeding 60 watts.

7. TROUBLESHOOTING

If your chandelier is not functioning correctly, refer to the following common issues and solutions:

Problem	Possible Cause	Solution
---------	----------------	----------

Problem	Possible Cause	Solution
Light does not turn on	Power is off Loose wiring Faulty bulb	Check circuit breaker Verify all wire connections Replace bulb
Flickering lights	Loose bulb Incompatible dimmer switch/bulb	Tighten bulb Ensure dimmable bulbs are used with a compatible dimmer switch
Fixture is unstable	Improper mounting	Ensure mounting plate is securely fastened to the ceiling junction box and all stems are tightened

8. SPECIFICATIONS

Feature	Detail
Brand	VINLUZ
Model Number	1810-5-11
Color	Black
Material	Metal
Style	Contemporary
Light Fixture Form	Ceiling Chandelier
Product Dimensions (Max)	25"L x 25"W x 43.3"H
Item Weight	12 Pounds
Specific Uses	Indoor use only
Power Source	AC
Installation Type	Hanging / Flush Mount (with adjustable stems)
Special Feature	Dimmable (with compatible bulbs and switch)
Light Source Type	CFL/LED/Incandescent/Halogen
Shade Material	Clear Glass
Number of Light Sources	5
Voltage	120 Volts
Max Wattage (per bulb)	60 watts
Bulb Base	E26

DIMENSIONS

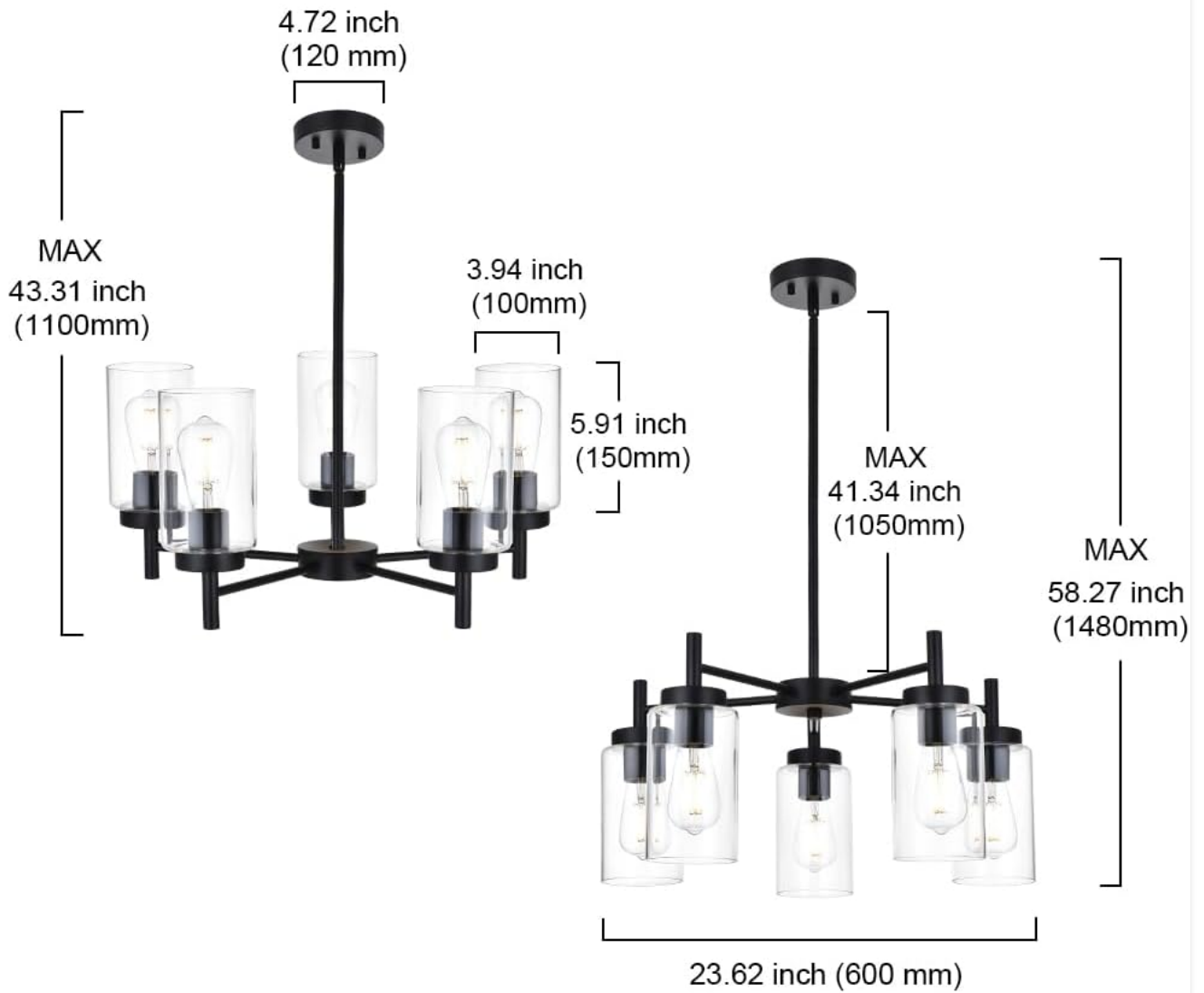


Image 5: Detailed dimensions of the chandelier, including overall height and shade measurements.

9. WARRANTY AND SUPPORT

This VINLUZ product comes with a manufacturer's warranty. For any quality issues, skill problems, or replacement parts (such as a broken glass shade), please contact the manufacturer directly.

To contact support, please visit the [VINLUZ Store on Amazon](#) and click on the "Ask a question" link to reach the original manufacturer quickly.