

Manuals+

[Q & A](#) | [Deep Search](#) | [Upload](#)

[manuals.plus](#) /

› [Sweety Fox](#) /

› [Sweety Fox Baby High Chair Instruction Manual](#)

Sweety Fox Q1

Sweety Fox Baby High Chair Instruction Manual

Model: Q1

Brand: Sweety Fox

1. SAFETY GUIDELINES

The Sweety Fox Baby High Chair is designed with your child's safety as a top priority. Please read and follow all instructions carefully before assembly and use.

- All high chairs are ASTM F404-certified, ensuring compliance with safety standards.
- The plastic tray is BPA-free for your child's health.
- The high chair is suitable for babies and children up to 30 lb (15 kg).
- Always secure your child with the 5-point harness system when using the high chair.
- Ensure the high chair is placed on a stable, flat surface.
- Never leave your child unattended in the high chair.
- Keep children away from the high chair during folding and unfolding to prevent injury.

2. PRODUCT FEATURES & COMPONENTS

The Sweety Fox high chair is designed for versatility and ease of use, adapting as your child grows.



Figure 1: Assembled Sweety Fox Baby High Chair with toy arch.

- **Adjustable Height:** Offers 7 different seat heights to match various table levels or for floor-level use.
- **Reclining Seat:** Features 5 positions for the reclining seat back, allowing for comfortable feeding or resting.
- **Adjustable Footrest:** Includes 3 positions for the footrest to provide optimal support for your child's legs.
- **Removable Tray:** Equipped with a removable, BPA-free plastic tray for easy cleaning and versatile use. The tray has 3 distance levels for adjustment.
- **Easy to Clean:** The high chair cover is made of polyurethane, and the tray is dishwasher-safe, allowing for quick and easy cleaning.
- **Compact Folding:** The high chair can be folded in seconds for space-saving storage.
- **Toy Arch:** Comes with a detachable toy arch to keep your little one entertained.
- **5-Point Harness:** Ensures ultimate safety by securely strapping your child into the chair.

Adjustable baby chair

6-36 months

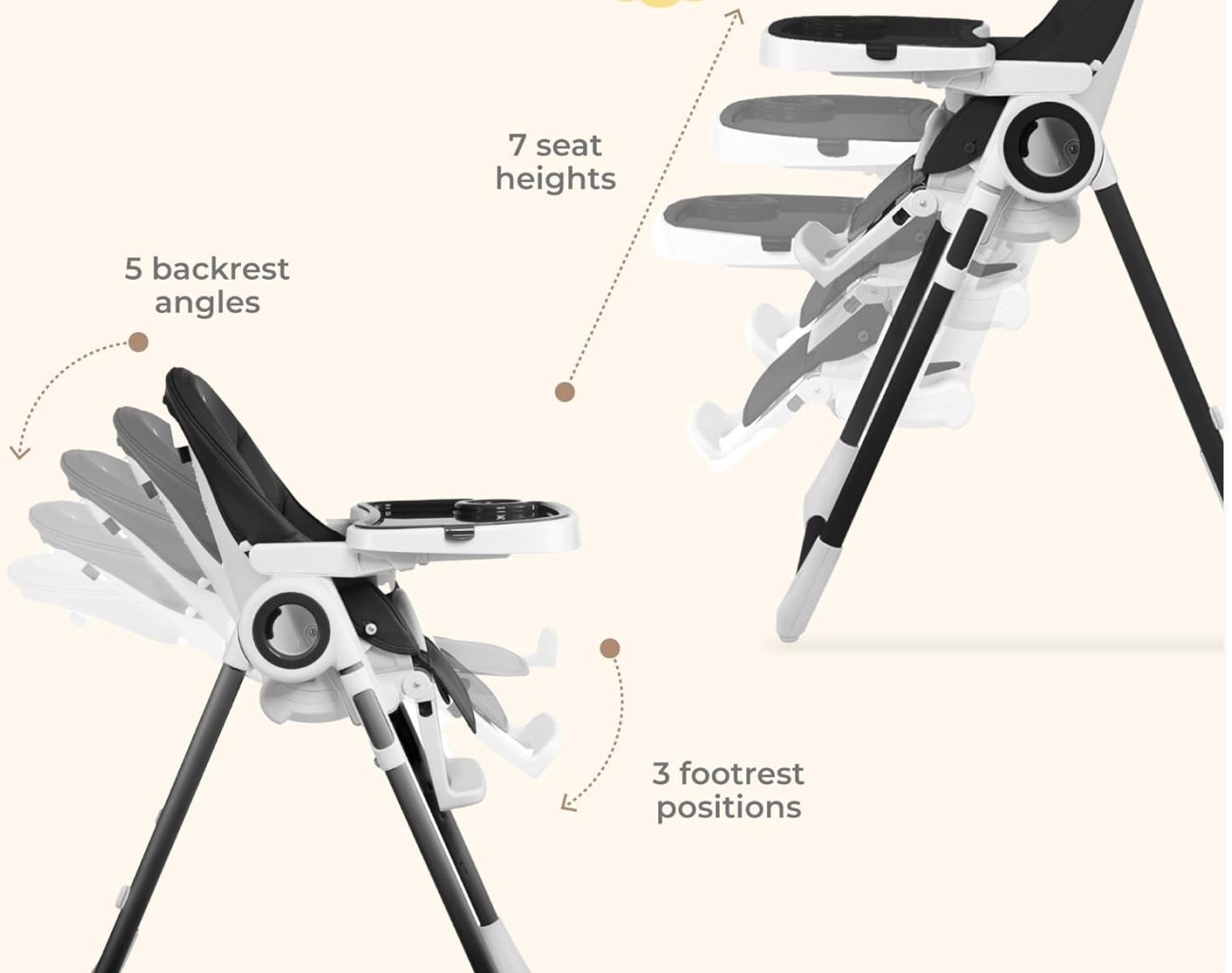


Figure 2: Illustration of the high chair's adjustable features, including 7 seat heights, 5 backrest angles, and 3 footrest positions.

Practical removable tray

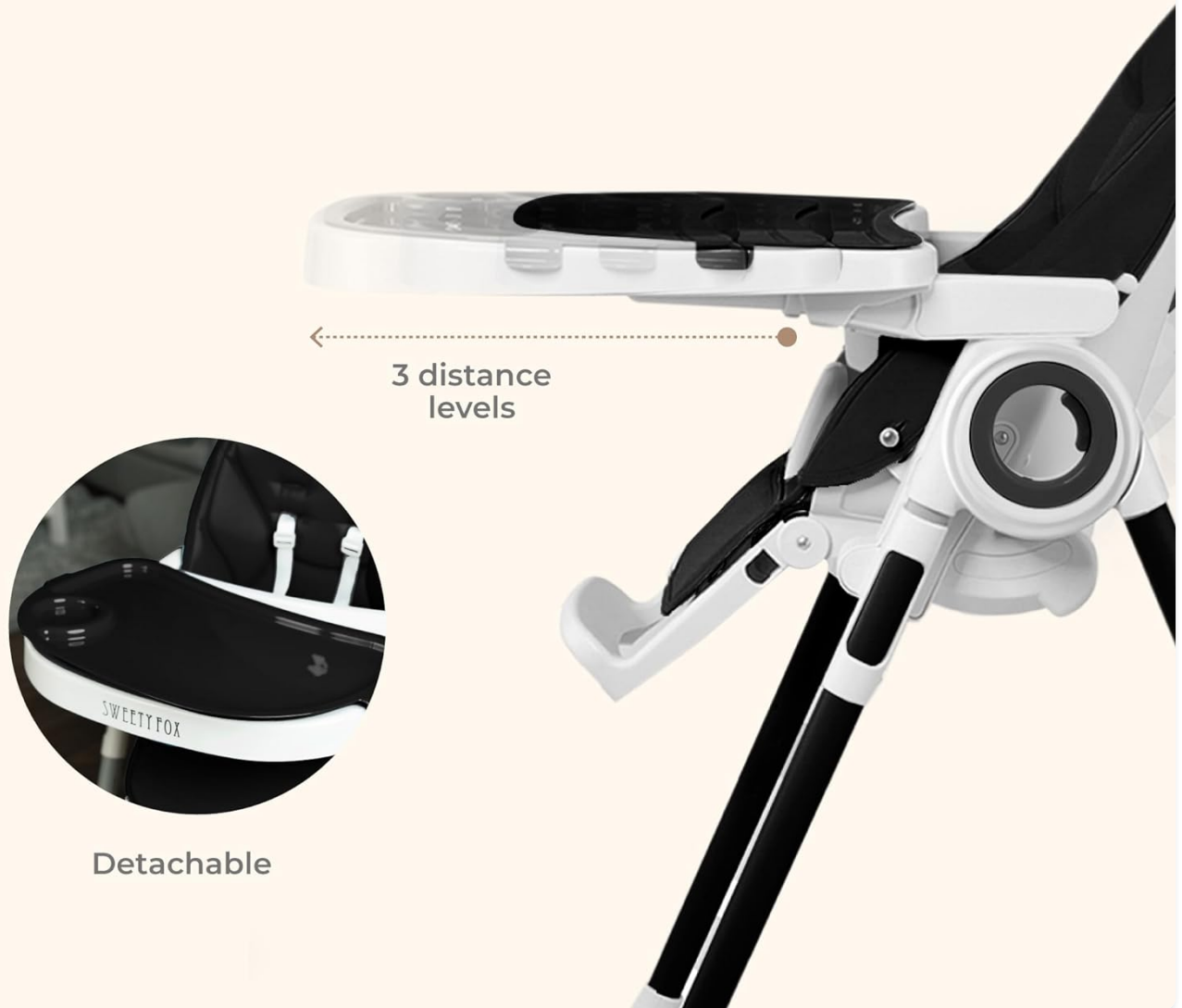


Figure 3: The practical removable tray, showing its three adjustable distance levels from the child.

Baby arch included



Figure 4: The included baby arch with hanging toys, providing entertainment for your child.

3. ASSEMBLY INSTRUCTIONS

The Sweety Fox high chair is designed for quick and easy assembly. Most components come pre-assembled.

1. Unfold the high chair frame until it locks securely into place.
2. Attach the seat unit to the frame, ensuring all connection points are firm.
3. Slide the footrest into its desired position.
4. Attach the removable tray by aligning it with the side slots and pushing down until it clicks.
5. If desired, attach the toy arch to the designated slots on the high chair frame.

For a visual guide on assembly and features, an independent reviewer demonstrates the process in a video. The video shows the high chair's initial setup, including unfolding the frame, attaching the seat, and demonstrating the

various adjustment features. It also highlights the ease of removing and cleaning the tray, and the compact folding mechanism.

4. OPERATING INSTRUCTIONS

Adjusting the high chair to suit your child's needs and different situations is simple.

- **Adjusting Seat Height:** Locate the levers on the back of the high chair legs. Pull them up and adjust the seat to one of the 7 available height settings. Ensure both sides are adjusted evenly and click into place.
- **Adjusting Recline Position:** Find the black lever on the back of the seat. Pull it up to release the recline mechanism, then adjust the seat to one of the 5 recline angles. Release the lever to lock the position.
- **Adjusting Footrest:** On either side of the footrest, locate the small black levers. Press them to adjust the footrest to one of the 3 available positions.
- **Attaching/Removing Tray:** To attach, align the tray with the armrests and push down until it clicks. To remove, press the release buttons on the sides of the tray and lift it off. The tray can be adjusted to 3 different distances from the child.
- **Using the Harness:** Secure your child using the 5-point harness. The shoulder straps and waist straps connect to a central buckle. Adjust the straps for a snug, secure fit.

5. CLEANING & MAINTENANCE

Regular cleaning ensures hygiene and extends the life of your high chair.

Easy to clean



Dishwasher-safe



Figure 5: The removable tray is dishwasher-safe for convenient cleaning.

- **Tray Cleaning:** The removable plastic tray is dishwasher-safe. For quick clean-ups, simply wipe it down with a damp cloth.
- **Seat Fabric Cleaning:** The polyurethane high chair cover is wipeable. Use a damp cloth with mild soap to clean any spills or messes. Avoid harsh chemicals.
- **Frame Cleaning:** Wipe down the plastic and metal parts of the frame with a damp cloth as needed.
- **Storage:** To save space, the high chair can be folded compactly. Press the black buttons on either side of the frame to initiate folding. The tray can also be folded up with the chair.

Effortless folding

Easy to carry



Figure 6: The high chair folds effortlessly for compact storage, making it ideal for smaller spaces.

6. SPECIFICATIONS

Feature	Detail
Product Dimensions	40.55 x 27.95 x 20.47 inches (unfolded)
Item Model Number	Q1
Maximum Weight Recommendation	15 Kilograms (30 lbs)
Material Type	Plastic
Number Of Items	1

Batteries Required	No
Is Portable	Yes
Item Weight	21 pounds
Color	Deep Black

7. TROUBLESHOOTING

If you encounter any issues with your Sweety Fox Baby High Chair, please refer to the following common solutions:

- **Chair not unfolding/folding smoothly:** Ensure all locking mechanisms are disengaged. Check for any obstructions in the folding joints. Apply gentle, even pressure.
- **Tray not attaching/detaching:** Verify that the tray is aligned correctly with the armrest slots. Press the release buttons firmly when detaching.
- **Harness issues:** Ensure all buckles are clean and free of food debris. Adjust straps to fit your child snugly but comfortably.
- **Stability concerns:** Always place the high chair on a flat, level surface. Ensure all legs are fully extended and locked.

8. CUSTOMER SUPPORT

At Sweety Fox, we are committed to providing the best products and support to you and your family. If you have any questions or require assistance, please do not hesitate to contact us. We strive to reply within 24 hours to ensure your complete satisfaction.

For further assistance, please refer to the official user manual (PDF) available for download from the product page.