

Faber 2156 Lg/X A90

Faber 2156 Lg/X A90 Hood User Manual

Model: 2156 Lg/X A90 (Part No. 3150547817 VE19GZ)

1. INTRODUCTION

This user manual provides essential information for the safe and efficient installation, operation, and maintenance of your Faber 2156 Lg/X A90 kitchen extractor hood. Please read these instructions carefully before using the appliance and retain them for future reference. This hood is designed for versatile integration into various kitchen environments, with its front panel adapting seamlessly to kitchen cabinetry when in the resting position.

2. SAFETY INFORMATION

General Safety:

- Ensure the appliance is installed by a qualified technician in accordance with local regulations.
- Always disconnect the appliance from the power supply before cleaning or performing any maintenance.
- Do not flambé under the range hood.
- Never leave frying pans unattended during use, as overheated oil can ignite.
- The air discharged must not be conveyed into a duct used for exhausting fumes from appliances burning gas or other fuels.
- Maintain a minimum distance between the cooking surface and the lower part of the hood as specified in the installation section.

Electrical Safety:

- Verify that the mains voltage corresponds to the voltage indicated on the rating plate inside the hood.
- The electrical installation must comply with all applicable standards.
- Do not use extension cords or multiple adapters.

3. PRODUCT OVERVIEW

The Faber 2156 Lg/X A90 is a built-in kitchen extractor hood designed for efficient air purification. It features a robust alloy steel construction and user-friendly push-button controls.

Key Features:

- **Design:** Recessed/Built-in for seamless integration into kitchen cabinetry.
- **Material:** Durable Alloy Steel construction.
- **Controls:** Intuitive Push-button operation.
- **Speed Settings:** 2 fan speeds for varying ventilation needs.
- **Noise Level:** Operates at 72 Decibels.

Components:

The hood typically consists of the main body, grease filters, a motor assembly, lighting, and a control panel. The exhaust duct connection is located at the top of the unit.

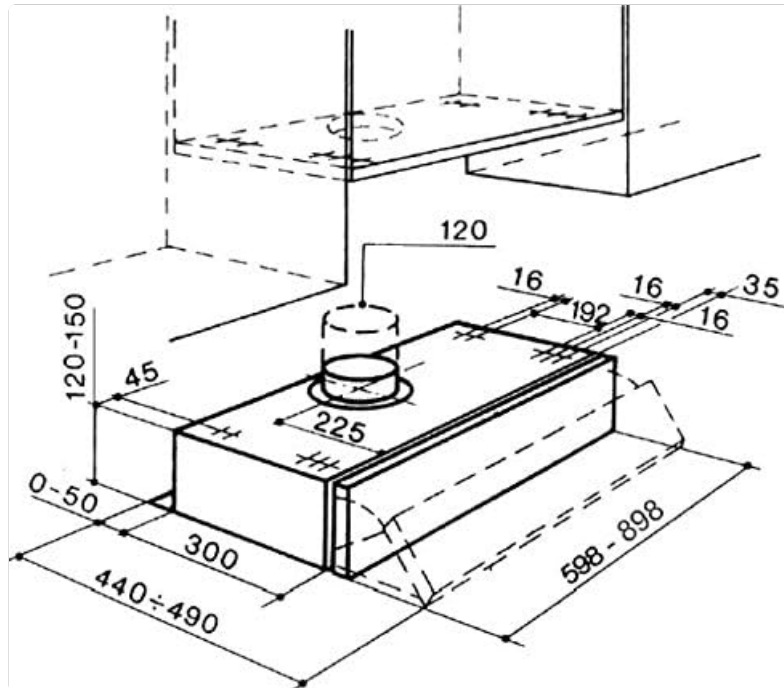


Image: Front view of the Faber 2156 Lg/X A90 Hood, showcasing its integrated design and control panel.

4. SETUP AND INSTALLATION

The Faber 2156 Lg/X A90 hood is designed for recessed or built-in installation within kitchen cabinetry. Proper installation is crucial for optimal performance and safety. It is recommended that installation be carried out by a qualified professional.

Installation Steps (General Guidelines):

1. **Preparation:** Ensure the cabinet opening dimensions match the hood's requirements. The minimum distance between the cooking surface and the hood must be observed (refer to local regulations and the diagram below).
2. **Mounting:** Secure the hood firmly within the cabinet using appropriate fasteners.
3. **Ducting Connection:** Connect the exhaust duct to the hood's outlet (typically 120mm diameter, as indicated in the diagram) and route it to the exterior or a recirculation system. Ensure airtight connections.
4. **Electrical Connection:** Connect the hood to the mains power supply. Ensure the power is off during connection.
5. **Testing:** After installation, test all functions of the hood (fan speeds, lighting) to ensure proper operation.



Image: Technical diagram illustrating the installation dimensions for the Faber 2156 Lg/X A90 Hood. Key dimensions include a height range of 120-150mm for the exhaust duct connection, a duct diameter of 120mm, a hood depth of 300mm, a width range of 440-490mm, and an overall length range of 598-898mm. Mounting points are indicated with specific measurements (e.g., 16mm, 35mm, 192mm).

5. OPERATING INSTRUCTIONS

The Faber 2156 Lg/X A90 hood is operated via push-button controls located on the front panel.

Fan Operation:

- **Power On/Off:** Press the designated power button to turn the hood on or off.
- **Speed Selection:** Use the speed selection buttons to choose between the 2 available fan speeds. Select a lower speed for light cooking and a higher speed for intense cooking or strong odors.

Lighting:

Press the light button to turn the integrated lighting on or off, illuminating your cooking area.

6. MAINTENANCE

Regular maintenance ensures the longevity and efficient operation of your hood.

Cleaning the Grease Filters:

The metal grease filters trap airborne grease particles. They should be cleaned regularly (approximately every 2 months, or more frequently with heavy use) to prevent grease buildup and maintain suction efficiency.

1. Disconnect the hood from the power supply.
2. Remove the grease filters by releasing their latches.
3. Wash the filters by hand in hot water with a mild detergent, or in a dishwasher on a low-temperature cycle.
4. Allow the filters to dry completely before reinserting them.

Cleaning the Exterior:

Clean the exterior surfaces of the hood with a soft cloth dampened with a mild, non-abrasive detergent. Avoid using abrasive cleaners, corrosive products, or alcohol-based solutions.

Charcoal Filters (if applicable for recirculation mode):

If your hood operates in recirculation mode, it will be equipped with activated charcoal filters. These filters cannot be washed and must be replaced every 3-6 months, depending on usage.

7. TROUBLESHOOTING

Before contacting customer service, please check the following common issues:

Problem	Possible Cause	Solution
Hood does not turn on	No power supply Faulty switch	Check power connection and circuit breaker Contact a qualified technician
Low suction power	Clogged grease filters Obstruction in ducting Incorrect installation height	Clean or replace grease filters Check ducting for blockages Verify installation height against recommendations
Excessive noise	Loose components Fan obstruction Improper ducting	Check for loose screws or parts Inspect fan for foreign objects Ensure ducting is correctly installed and sized

8. SPECIFICATIONS

Specification	Detail
Brand	Faber
Model Number	3150547817 VE19GZ
ASIN	B07R3SL9ZC
Material	Alloy Steel
Noise Level	72 Decibels
Mounting Type	Recessed / Built-in
Control Type	Push Button
Number of Speeds	2
Dimensions (W x D x H)	898 x 440 x 150 mm (approximate, refer to installation diagram for detailed ranges)

9. WARRANTY AND SUPPORT

For warranty information, technical support, or service requests, please refer to the warranty card included with your product or contact Faber customer service directly. Ensure you have your model number and purchase details available when contacting support.

Faber Official Website: www.faberhoods.com

