

Suptek MD6SB

Suptek MD6SB Dual Monitor Arm Pole Mount Instruction Manual

Model: MD6SB | Brand: Suptek

1. INTRODUCTION

This manual provides detailed instructions for the installation, operation, and maintenance of your Suptek MD6SB Dual Monitor Arm. This product is designed to mount two monitors to a pole, optimizing your workspace and improving viewing ergonomics. Please read this manual thoroughly before installation and keep it for future reference.

2. PRODUCT OVERVIEW

2.1. Key Features

- **Pole Mounting:** Designed for secure attachment to poles with a diameter of 35mm.
- **Dual Monitor Support:** Accommodates two monitors simultaneously.
- **Wide Compatibility:** Supports monitors from 13 to 27 inches.
- **High Load Capacity:** Each arm can support up to 10kg (22 lbs).
- **VESA Compliance:** Compatible with VESA 75x75mm and 100x100mm mounting patterns.
- **Multi-Angle Adjustment:** Features $\pm 90^\circ$ tilt, $\pm 90^\circ$ swivel, and 360° rotation for optimal viewing angles.
- **Cable Management:** Integrated cable clips help organize and protect monitor cables.
- **Space Saving:** Frees up desk space by elevating monitors.

2.2. Package Contents

Verify that all components are present before beginning installation:

- VESA Plate x 2
- Arm Cord Bushing x 4
- Hex Wrench x 1
- Rotating Arm x 1 (Main Assembly)
- M4 x 30mm Screws x 8
- M4 x 12mm Screws x 8

- Spacers x 8
- Red Washers x 8
- Black Washers x 8
- Nuts x 2

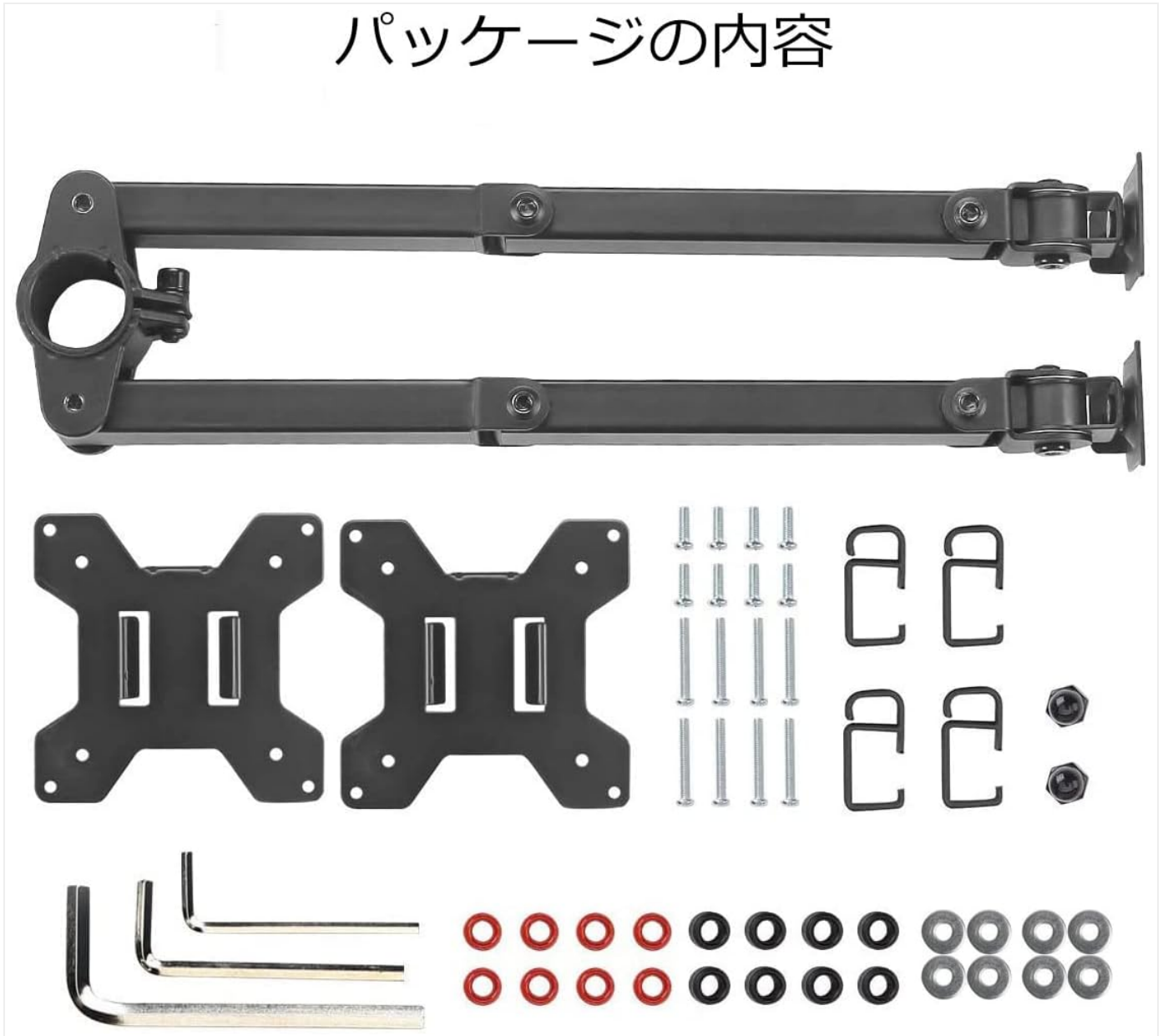


Figure 1: Package Contents. Includes VESA plates, arm assembly, various screws, washers, spacers, nuts, and a hex wrench.

3. SAFETY INFORMATION

- Do not exceed the maximum load capacity of 10kg (22 lbs) per arm.
- Ensure the mounting pole is stable and capable of supporting the combined weight of the arm and monitors.
- Always use the provided hardware. If your monitor requires different screws, consult the monitor's manual.
- Perform installation with at least two people to prevent injury or damage.
- Keep children and pets away during installation.
- Tighten all screws firmly, but do not overtighten to avoid stripping threads.
- Regularly check the arm and monitor connections for security.

4. SETUP AND INSTALLATION

4.1. Pre-Installation Check

- Confirm your monitor's weight and size are within the specified limits (13-27 inches, max 10kg per arm).
- Verify your monitor has VESA 75x75mm or 100x100mm mounting holes.
- Ensure your pole has a diameter of 35mm.

4.2. Attaching the Arm to the Pole

1. Loosen the screws on the pole clamp of the rotating arm assembly.
2. Position the rotating arm assembly at the desired height on the 35mm diameter pole.
3. Tighten the screws on the pole clamp securely to fix the arm in place.

4.3. Attaching VESA Plates to Monitors

1. Carefully place your monitor face down on a soft, clean surface.
2. Align a VESA plate with the mounting holes on the back of your monitor.
3. Use the appropriate M4 screws (M4 x 12mm or M4 x 30mm) and washers/spacers if needed, to secure the VESA plate to the monitor. Do not overtighten.
4. Repeat for the second monitor.

4.4. Mounting Monitors to the Arm

1. With assistance, carefully lift a monitor with the attached VESA plate.
2. Slide the VESA plate onto the VESA head of one arm until it clicks into place or is securely fastened with the locking mechanism (if present).
3. Ensure the monitor is firmly attached before releasing it.
4. Repeat for the second monitor on the other arm.



Figure 2: Assembled Dual Monitor Arm. Shows the main arm structure with VESA plates ready for monitor attachment.

5. OPERATING INSTRUCTIONS

5.1. Adjusting Monitor Position

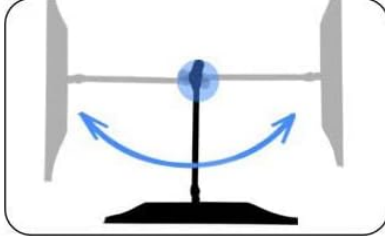
The monitor arm allows for flexible adjustment to achieve optimal viewing comfort.

- **Tilt Adjustment:** Gently push or pull the top or bottom of the monitor to adjust the tilt angle by $\pm 90^\circ$.
- **Swivel Adjustment:** Rotate the monitor left or right by $\pm 90^\circ$ at the arm joint.
- **Rotation:** Rotate the monitor 360° to switch between landscape and portrait orientations.
- **Arm Extension/Retraction:** Move the arm segments to extend or retract the monitors, adjusting the distance from your viewing position.

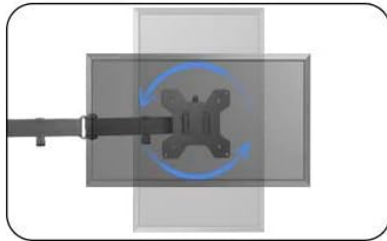
アームが自由に角度調節



±90°左右調節



モニター360°回転



±90°前後傾斜

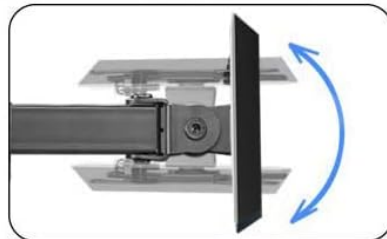


Figure 3: Angle Adjustment. Shows how monitors can be tilted and swiveled.

最大110°まで回転可能



Figure 4: 360° Monitor Rotation. Demonstrates switching between landscape and portrait modes.

5.2. Cable Management

Utilize the integrated cable clips along the arm to route and secure your monitor cables. This helps maintain a tidy workspace and prevents cable damage.

6. MAINTENANCE

- **Regular Checks:** Periodically inspect all screws and connections to ensure they remain tight and secure.
- **Cleaning:** Clean the monitor arm with a soft, damp cloth. Avoid abrasive cleaners or solvents that could damage the finish.
- **Lubrication:** No lubrication is typically required for the moving parts. If movement becomes stiff, contact support.

7. TROUBLESHOOTING

7.1. Monitor Sags or Does Not Hold Position

- **Check Weight:** Ensure the monitor weight does not exceed 10kg per arm.
- **Tighten Joints:** Use the provided hex wrench to tighten the tension screws at the arm joints and VESA head. Refer to the assembly diagrams for screw locations.

7.2. Arm is Loose on the Pole

- **Tighten Pole Clamp:** Ensure the screws on the pole clamp are fully tightened.
- **Check Pole Diameter:** Confirm the pole diameter is 35mm. If it's smaller, the arm may not secure properly.

7.3. Difficulty Attaching VESA Plate to Monitor

- **Correct Screws:** Ensure you are using the correct M4 screws (12mm or 30mm) and spacers if necessary, to match your monitor's VESA mounting depth.

8. SPECIFICATIONS

Model	MD6SB
Material	Alloy Steel
Color	Black
Mounting Type	Pole Mount
Compatible Pole Diameter	35mm (round pole)
Number of Screens	2
VESA Compatibility	75x75mm, 100x100mm
Compatible Monitor Size	13-27 inches
Load Capacity (per arm)	10kg (22 lbs)
Arm Length	736mm (28.97 inches)
Movement Range	Tilt: $\pm 90^\circ$, Swivel: $\pm 90^\circ$, Rotation: 360°

サイズ (mm/in)

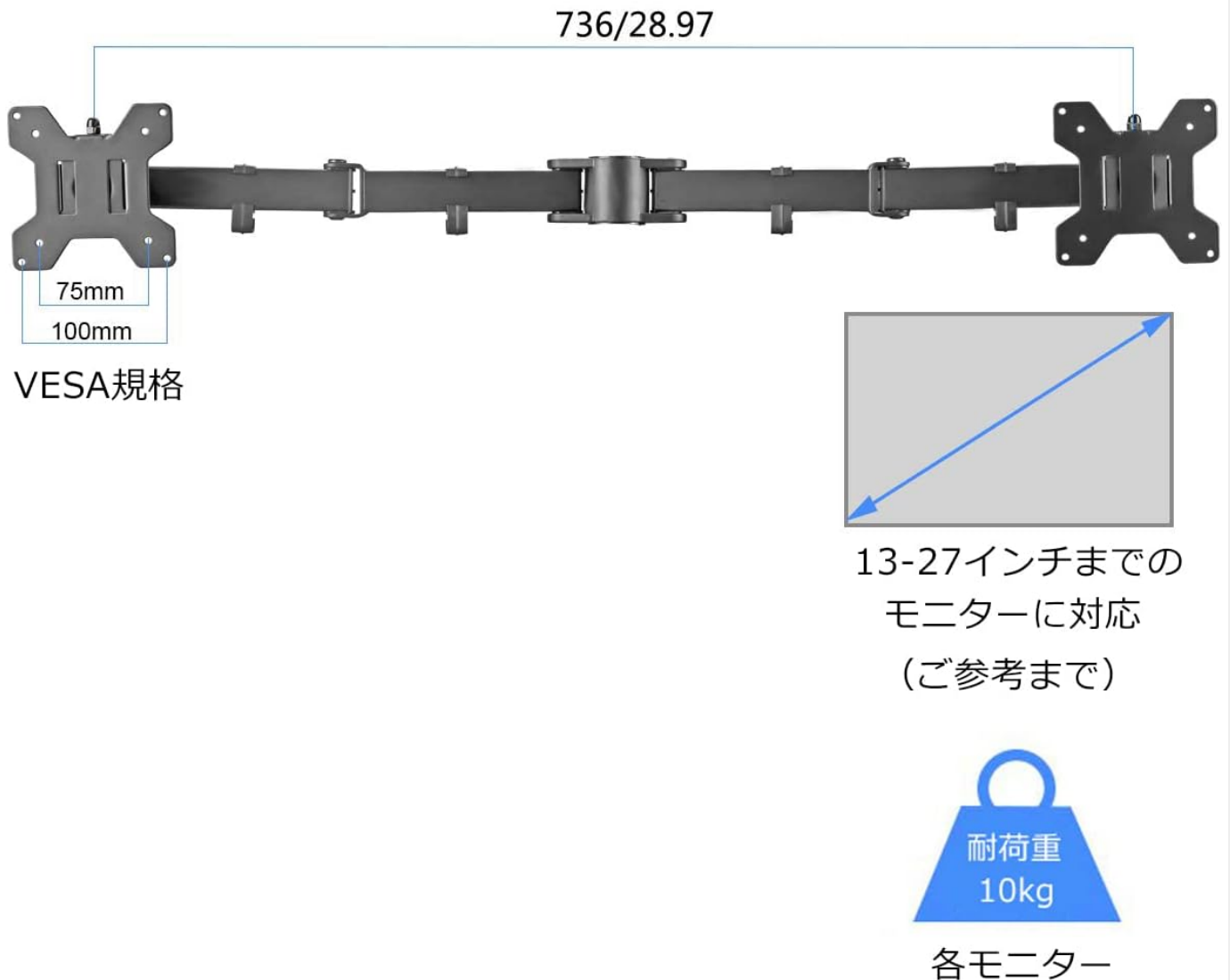


Figure 5: Product Dimensions and VESA Compatibility. Illustrates overall arm length and VESA mounting hole patterns.

9. WARRANTY AND SUPPORT

9.1. Warranty Information

This Suptek product comes with a **one-year warranty** from the date of purchase. This warranty covers defects in materials and workmanship under normal use.

9.2. Customer Support

If you encounter any issues or have questions regarding your Suptek product within the warranty period, please contact us through the following steps:

1. Log in to your Amazon account.
2. Go to "Account Service" (or "Your Account").
3. Navigate to "Order History" (or "Your Orders").
4. Find your order for the Suptek MD6SB Dual Monitor Arm.
5. Click on the "Seller" link.

6. Select "Ask a question" to send a message to our support team.

Please include your order number in your message for faster service. Our team is committed to providing prompt and effective solutions to your concerns.