

[Manuals.plus](#) /

> [MEEDEN](#) /

> MEEDEN French Easel Instruction Manual

## MEEDEN French Easel

# MEEDEN French Easel Instruction Manual

Model: French Easel

## 1. PRODUCT OVERVIEW

The MEEDEN French Easel is a versatile, foldable, and portable art easel designed for artists and hobbyists. Crafted from natural beechwood, it features a built-in storage box, an adjustable canvas support, and telescopic legs, allowing for use in various settings, including field painting, studio work, or as a tabletop easel. It accommodates canvases up to 34 inches in height.



Image 1.1: The MEEDEN French Easel showing overall dimensions and key features. Max canvas height is 34 inches, easel height adjusts from 57 to 72 inches.

## 2. COMPONENTS

Familiarize yourself with the main components of your MEEDEN French Easel:

- **Upper Slider:** Holds the top of the canvas.
- **Lifting Rod:** Adjusts the height of the upper slider.
- **Box Buckle:** Secures the easel box when folded.
- **Support Tray:** Holds the bottom of the canvas.
- **Storage Box:** Integrated compartment for art supplies, with removable slats.
- **Front Legs:** Two adjustable front legs for stability.
- **Rear Leg:** Single adjustable rear leg for stability.
- **Bracket Height Adjustment Nut:** Secures the height of the canvas support.

- **Angle Adjustment Nut:** Adjusts the tilt angle of the easel board.
- **Non-slip Tipped Feet:** Rubber feet on the legs for stability and floor protection.
- **Aluminum Side Tray:** An additional tray for supplies, attachable to either side.
- **Wooden Palette:** Included for mixing paints.
- **Leather Handle & Shoulder Strap:** For comfortable carrying.

Your browser does not support the video tag.

Video 2.1: This video demonstrates the various components of the MEEDEN French Easel and provides a visual guide to its setup process.

### 3. SETUP INSTRUCTIONS

---

The MEEDEN French Easel comes pre-assembled. Follow these steps to set up your easel for use:

#### 1. Unfolding the Legs:

- Place the easel box with the support side facing up on a flat surface.
- Loosen the root nuts on the left and right legs. Pull the legs out of their fixing holes and turn them into the designated slots. Tighten the root nuts to secure them.
- Pull the rear legs out of their slots. Open the folded sections of the rear legs, extending them fully. Fasten the nuts to secure the extended legs.

#### 2. Positioning the Easel:

- Carefully turn the easel stand upright on the ground, ensuring all three legs are stable.

#### 3. Adjusting the Easel Board:

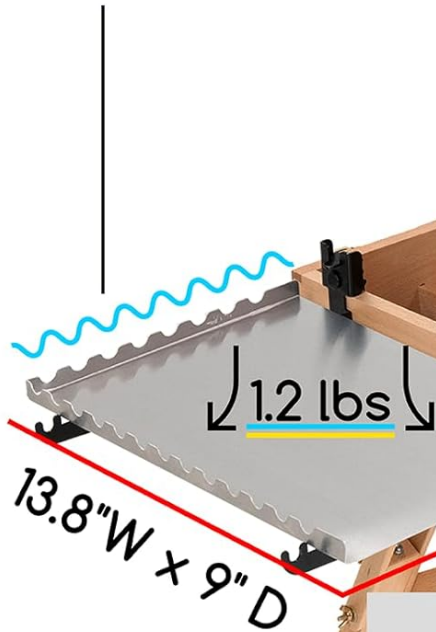
- Open the buckle of the storage box.
- Adjust the angle of the easel board using the angle adjustment nut to your desired working position (from tilt-forward to horizontal).
- Adjust the height of the canvas support box and the upper slider according to your canvas size and preference.

#### 4. Attaching the Side Tray (Optional):

- The aluminum side tray can be assembled on either the right or left side of the easel. Secure it using the provided hooks.



Unique aluminum side tray design with brush holders and two hooks



Removable drawer with customized dividers and built-in storage room help all your painting supplies organized.

Image 3.1: The easel with its unique aluminum side tray and removable drawer, providing additional space for art supplies.



## Portable & Foldable Leather haddle for easy carry Adjustable shoulder strap for immediate travel

Image 3.2: The easel is portable and foldable, featuring a comfortable leather handle and an adjustable shoulder strap for easy transport.

### 4. OPERATING INSTRUCTIONS

Once set up, the MEEDEN French Easel offers various configurations for your artistic needs:

- **Canvas Placement:**

- Place your canvas or board on the support tray. Adjust the upper slider to firmly hold the canvas in place. The easel can hold canvases up to 34 inches.

- **Height Adjustment:**

- The easel's height is adjustable from 57 inches to 72 inches, accommodating both sitting and standing painting positions. Loosen the bracket height adjustment nuts on the legs and the lifting rod to modify the height, then tighten securely.

- **Angle Adjustment:**

- The easel board's angle can be adjusted from 0 to 90 degrees, suitable for various painting techniques including

pastel work, acrylic, oil, and watercolor. Loosen the angle adjustment nut, set the desired angle, and tighten.

- **Tabletop Easel Mode:**

- The easel can be converted into a tabletop easel by folding its legs. This mode is ideal for working on smaller pieces or in confined spaces. The drawer remains accessible in this configuration.

- **Storage Box Usage:**

- The integrated storage box features 4 compartments with 3 removable slats, perfect for organizing paints, brushes, and other art supplies.

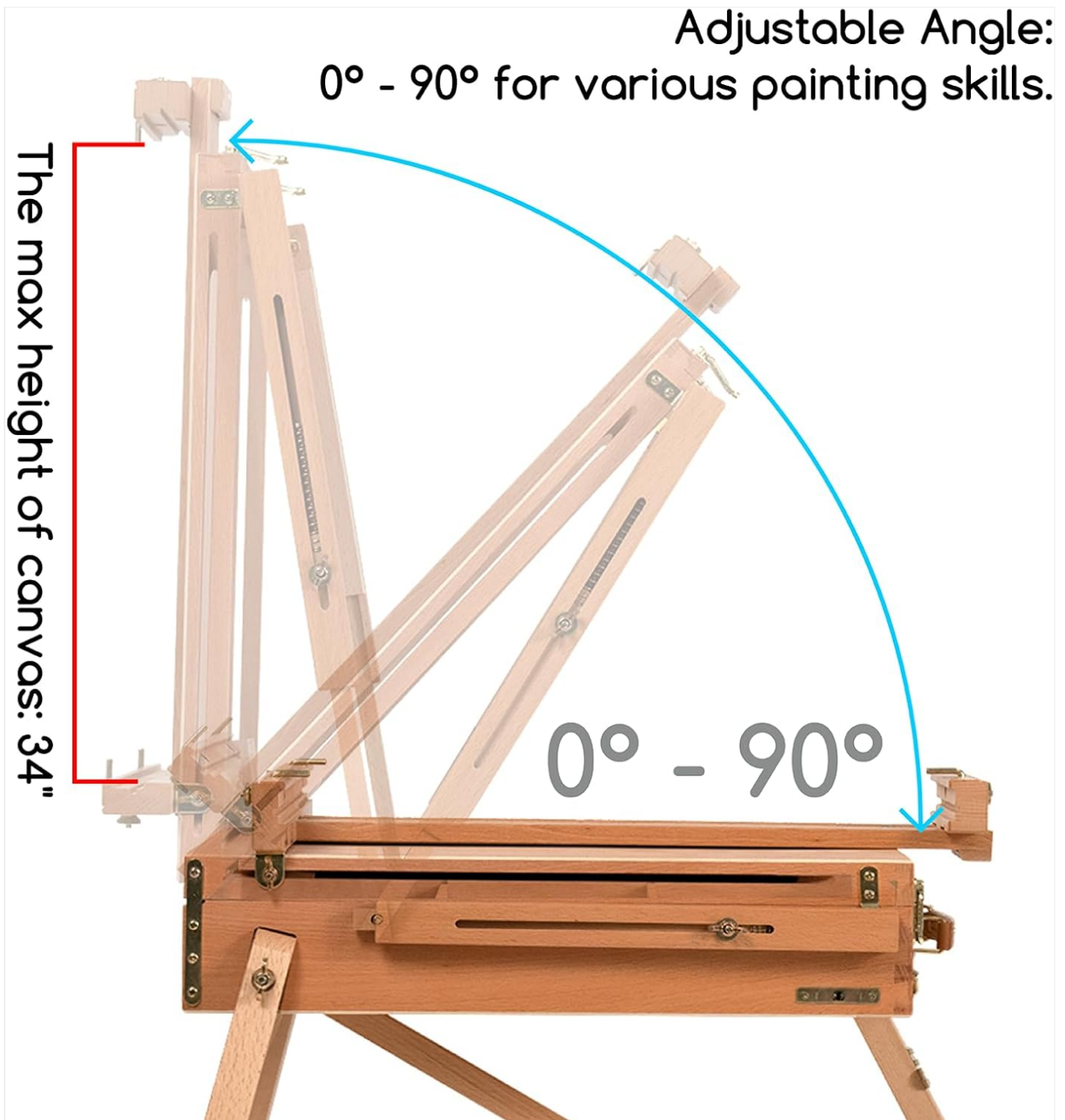


Image 4.1: The easel offers an adjustable angle from 0 to 90 degrees, providing flexibility for various painting styles and preferences.

## 5. MAINTENANCE

Proper maintenance ensures the longevity and optimal performance of your MEEDEN French Easel:

- **Cleaning:** Wipe down the beechwood surfaces with a soft, dry cloth. For stubborn marks, use a slightly damp cloth and dry immediately. Avoid harsh chemicals or abrasive cleaners.
- **Wood Care:** As the easel is made of natural beechwood, occasional treatment with wood oil (e.g., linseed oil) can help maintain its finish and prevent drying or cracking.
- **Hardware:** Periodically check all nuts, bolts, and clasps to ensure they are tight. Tighten any loose hardware to maintain stability.
- **Storage:** When not in use, fold the easel and store it in a dry environment to protect the wood from humidity and extreme temperature changes.

## 6. TROUBLESHOOTING

---

If you encounter any issues with your easel, consider the following:

- **Easel Feels Wobbly:**
  - Ensure all leg extension nuts and bracket height adjustment nuts are securely tightened.
  - Verify that the non-slip rubber feet are properly seated on a flat, stable surface.
  - Check that the legs are fully extended and locked into their respective slots.
- **Difficulty Adjusting Height/Angle:**
  - Ensure all relevant adjustment nuts (bracket height, angle adjustment) are sufficiently loosened before attempting to move components.
  - Apply gentle, even pressure when adjusting. Do not force components.
- **Drawer Sticking:**
  - Check for any obstructions inside or around the drawer.
  - Ensure the easel is on a level surface.

## 7. SPECIFICATIONS

---

| Feature                        | Detail                              |
|--------------------------------|-------------------------------------|
| Brand                          | MEEDEN                              |
| Model                          | French Easel                        |
| Material                       | Beechwood                           |
| Product Dimensions (D x W x H) | 37"D x 33"W x 72"H (fully extended) |
| Item Weight                    | 16 Pounds                           |
| Max Canvas Height              | 34 inches                           |
| Adjustable Easel Height        | 57" - 72"                           |
| Adjustable Easel Angle         | 0 - 90 degrees                      |
| Assembly Required              | Yes (initial setup)                 |



## FSC Certified German Beech Wood



Quality-guaranteed,  
solid and durable,  
hand-sanded smooth  
surface with natural texture

Image 7.1: The easel is crafted from FSC Certified German Beech Wood, known for its durability and smooth, natural texture.

## 8. WARRANTY AND SUPPORT

For warranty information or product support, please refer to the documentation included with your purchase or contact MEEDEN customer service directly. Keep your purchase receipt for any warranty claims.

