

## Manuals+

[Q & A](#) | [Deep Search](#) | [Upload](#)

manuals.plus /

- › [Simple Trending](#) /
- › [Simple Trending Standard Rod Clothing Garment Rack Instruction Manual](#)

## Simple Trending SZSG001

# Simple Trending Standard Rod Clothing Garment Rack Instruction Manual

Model: SZSG001

Brand: Simple Trending

### PRODUCT OVERVIEW

The Simple Trending Standard Rod Clothing Garment Rack is designed to provide efficient and versatile storage for your clothing. This rolling organizer is suitable for various spaces, including laundry rooms, bedrooms, and student dormitories, offering a practical solution for organizing and creating additional hanging space.

Key features include an extensible top horizontal rod, durable metal construction with a premium chrome finish, and 360-degree swivel wheels for easy mobility.



*Image: The Simple Trending Garment Rack shown in various settings such as a bedroom, living room, laundry room, and retail store, highlighting its versatility.*

## ASSEMBLY INSTRUCTIONS

Assembly of your Simple Trending Garment Rack is straightforward and requires no special tools beyond those provided. Please follow these steps carefully:

### 1. Unpack Components

Carefully remove all parts from the packaging. Verify that all components listed in the assembly manual are present. The package includes two wrenches and an assembly manual.



*Image: All parts of the garment rack, including the chrome-plated metal tubes, wheels, and assembly tools, neatly arranged on the floor before assembly.*

### 2. Attach Wheels to Base

Attach the four 360-degree swivel wheels to the base frame using the provided screws and wrench. Ensure they are securely fastened for stable movement.



*Image: A close-up view of a hand attaching one of the 360-degree swivel wheels to the base of the garment rack using a screw and a small wrench.*

### 3. Connect Vertical Support Rods

Insert the vertical support rods into the designated slots on the base. Press the spring buttons to secure them in place. The design allows for easy, tool-free connection.

## Super easy assembly



*Image: A visual guide demonstrating the simple process of connecting the metal tubes by pressing a button and sliding them together until they lock.*

### **4. Attach Top Horizontal Rod**

Attach the top horizontal rod to the vertical supports. This rod is extensible, adjusting from 30.5 inches to 47.5 inches to suit your needs. It features integrated circular tubing and stoppers to prevent hangers from falling off.

# Extensible Length

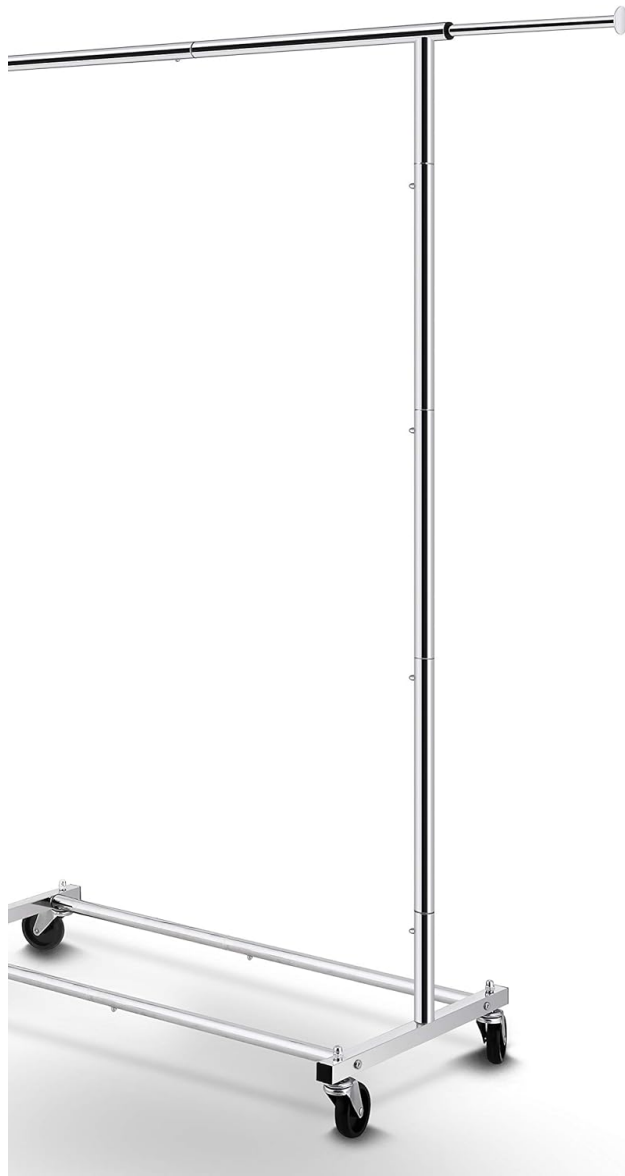
An option for more space



*Image: A detailed view of the extensible top horizontal rod, illustrating how it can be extended by 8.5 inches and featuring stoppers on each side to keep hangers in place.*

## 5. Final Check

Ensure all connections are secure and the rack is stable before hanging clothes. The rack is designed to be durable and sturdy, made from highly resistant metal with a premium heavy gauge chromium plating for enhanced protection against rust and corrosion.



4 wheels

Easily mobile  
and stationary



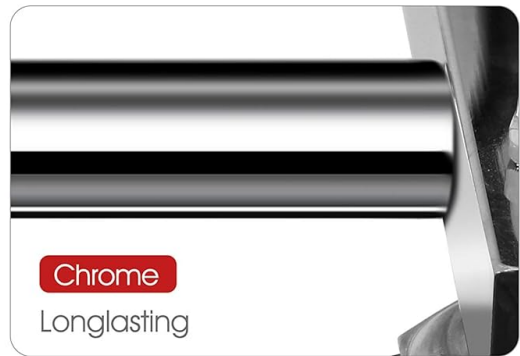
Smart Rail Ends

Prevent hangers from falling off



Chrome

Longlasting



*Image: The fully assembled garment rack, showcasing its four 360-degree wheels for mobility, smart rail ends to prevent hangers from slipping, and a long-lasting chrome finish.*

## Assembly Video

For a visual guide on assembling the Simple Trending Standard Rod Clothing Garment Rack, please watch the video below:

Your browser does not support the video tag.

*Video: An official seller video demonstrating the assembly process of the Simple Trending Standard Rod Clothing Garment Rack.*

## OPERATING INSTRUCTIONS

The Simple Trending Garment Rack is designed for ease of use and versatility. Follow these guidelines for optimal operation:

- **Loading Clothes:** Hang clothes evenly across the horizontal rod to distribute weight and maintain stability. The extensible rod allows for increased hanging space as needed.
- **Mobility:** Utilize the four 360-degree swivel wheels to easily move the rack between rooms or locations. The wheels are designed for smooth and quiet movement.
- **Weight Capacity:** Do not exceed the maximum load capacity of 150 pounds to ensure the

longevity and stability of the rack.

- **Stoppers:** The integrated stoppers on the top horizontal rod prevent hangers from sliding off the ends, keeping your clothes secure.



*Image: A close-up of the garment rack's wheels, highlighting their 360-degree rotation and quiet operation for easy movement.*

## MAINTENANCE

To ensure your Simple Trending Garment Rack remains in excellent condition and provides long-lasting service, follow these simple maintenance tips:

- **Cleaning:** Wipe down the chrome-plated metal surfaces with a soft, damp cloth. Avoid abrasive cleaners or harsh chemicals that could damage the finish.
- **Inspection:** Periodically check all screws and connections to ensure they are tight. Re-tighten if necessary to maintain stability.
- **Rust Prevention:** The premium chromium plating enhances protection against rust and corrosion. However, avoid prolonged exposure to excessive moisture to further preserve the finish.
- **Wheel Care:** Keep the wheels free of debris to ensure smooth rolling. If wheels become stiff, a small amount of silicone lubricant can be applied.

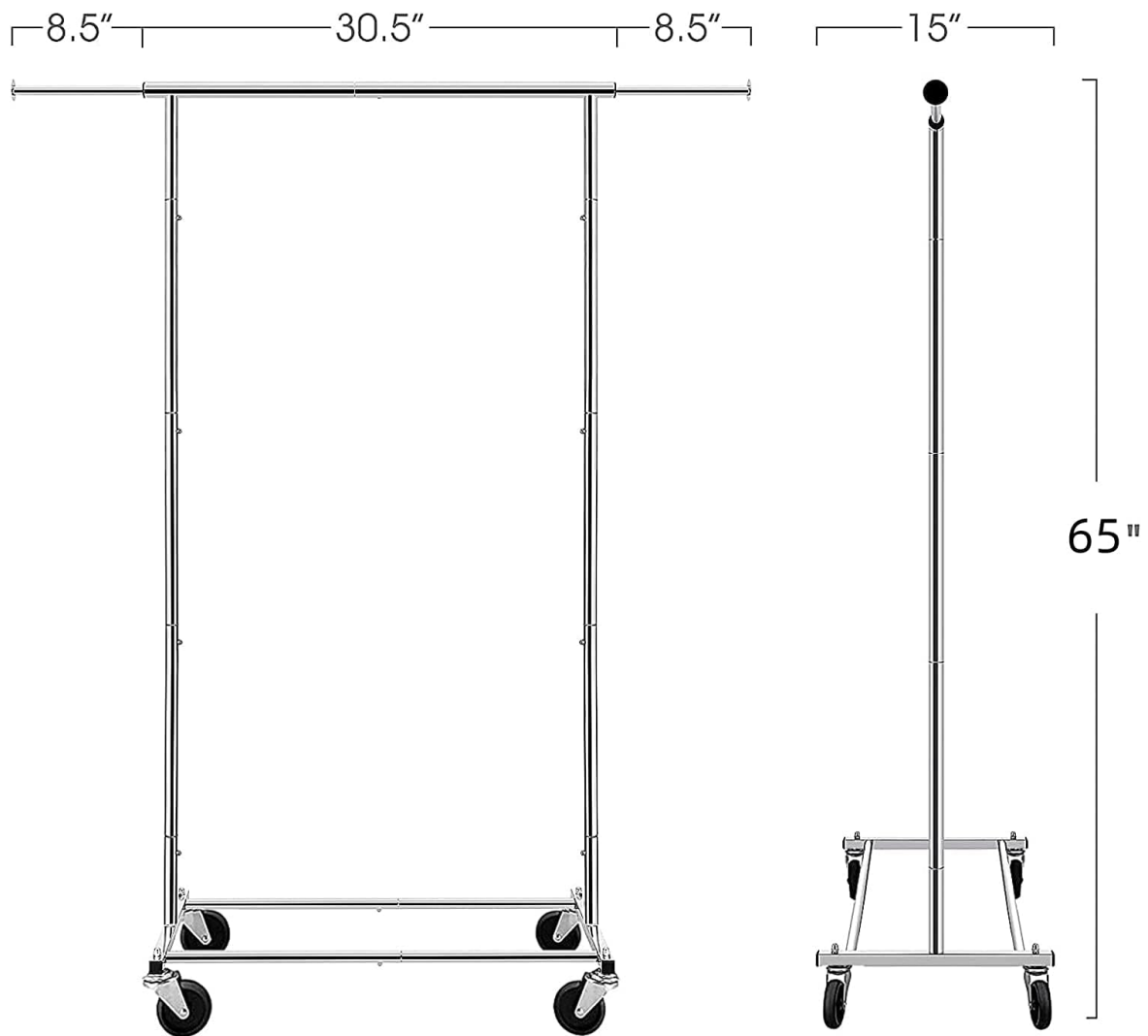
## TROUBLESHOOTING

If you encounter any issues with your garment rack, refer to the following common troubleshooting solutions:

- **Rack is Unstable/Wobbly:**
  - Ensure all connections are fully engaged and the spring buttons are locked into place.
  - Check that all screws, especially those on the base and wheels, are tightened securely.
  - Verify that the rack is placed on a flat, even surface.
- **Wheels Not Rolling Smoothly:**
  - Inspect wheels for any trapped debris (e.g., hair, lint) and remove it.
  - Apply a small amount of lubricant to the wheel axles if they are stiff.
- **Hangers Sliding Off:**
  - Confirm that the top horizontal rod is fully extended and the integrated stoppers are in place at both ends.

## SPECIFICATIONS

<b>Brand</b>	Simple Trending
<b>Model Number</b>	SZSG001
<b>Material</b>	Metal
<b>Finish Type</b>	Chrome
<b>Product Dimensions (Width x Height)</b>	15"W x 65"H
<b>Extensible Rod Length</b>	30.5" to 47.5"
<b>Load Capacity</b>	150 Pounds
<b>Special Features</b>	Durable, Lightweight, 360° Swivel Wheels
<b>Assembly Required</b>	Yes (Tools included)



*Image: A technical diagram illustrating the precise dimensions of the garment rack, including its length, width, and height.*

## **WARRANTY AND SUPPORT**

For warranty information or customer support, please refer to the contact details provided with your product packaging or visit the official Simple Trending website. Ensure you have your model number (SZSG001) and proof of purchase available when contacting support.