

Indesit IFVR 800 H AN

Indesit IFVR 800 H AN Built-in Electric Ventilated Oven User Manual

INTRODUCTION

This manual provides essential information for the safe and efficient installation, operation, and maintenance of your Indesit IFVR 800 H AN built-in electric ventilated oven. Please read these instructions carefully before using the appliance and keep them for future reference.

SAFETY INSTRUCTIONS

Always follow basic safety precautions when using electrical appliances to reduce the risk of fire, electric shock, and injury to persons. This appliance is intended for domestic use only.

- Ensure the oven is correctly installed by a qualified technician before use.
- Do not touch hot surfaces. Use oven mitts or pot holders.
- Keep children away from the appliance during operation.
- Never use abrasive cleaners or sharp metal scrapers to clean the oven door glass, as they can scratch the surface, which may result in shattering of the glass.
- Disconnect the appliance from the power supply before performing any maintenance or cleaning.

SETUP AND INSTALLATION

The Indesit IFVR 800 H AN is a built-in electric oven designed for integration into kitchen cabinetry. Proper installation is crucial for performance and safety.

Installation Dimensions

Refer to the diagram below for precise measurements required for cabinet cut-outs and clearances. Ensure adequate ventilation around the appliance.

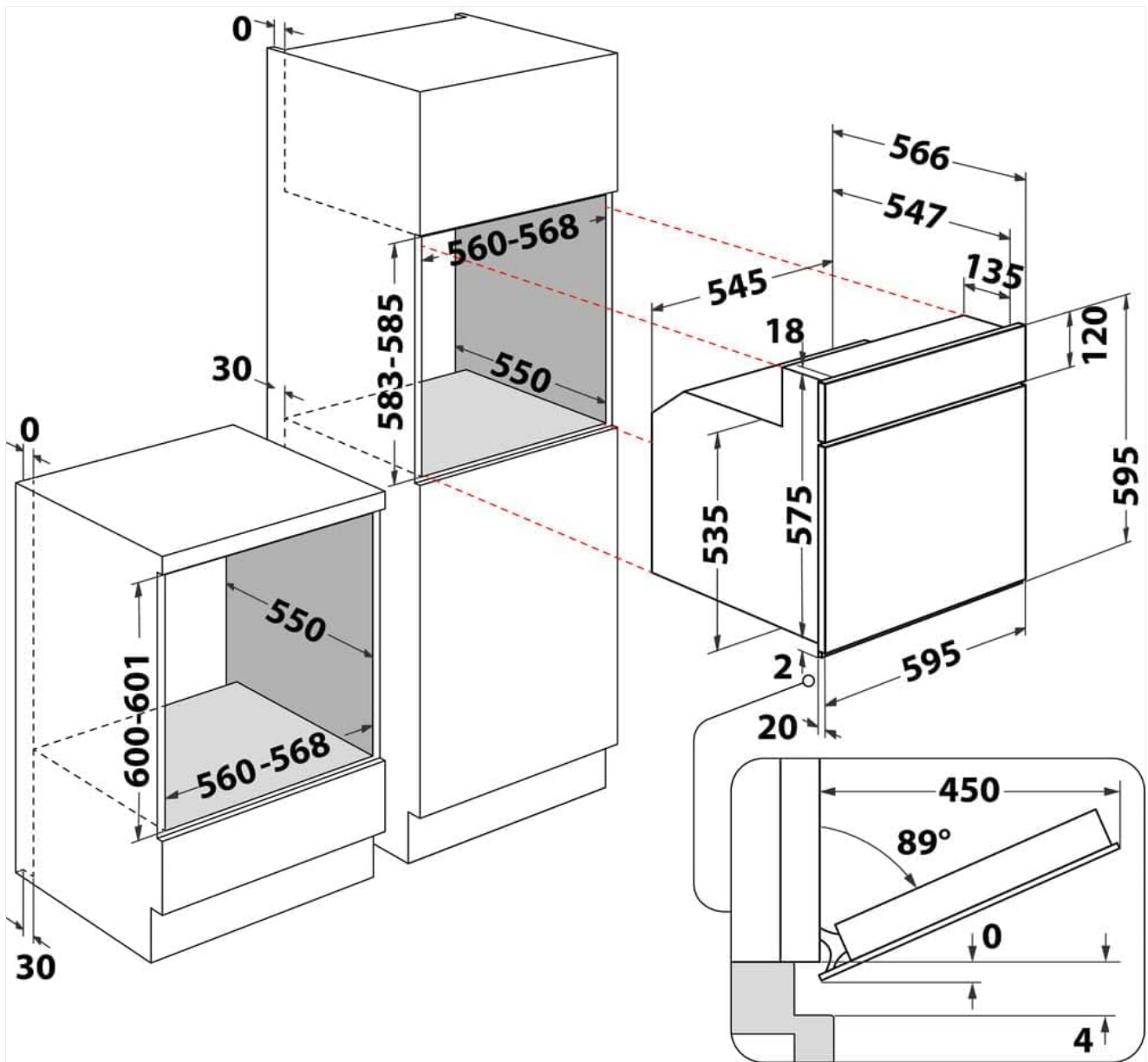


Image: Installation diagram showing the precise dimensions for built-in installation of the Indesit IFVR 800 H AN oven, including cabinet opening sizes and clearances. All measurements are in millimeters.

- **Cabinet Width:** 560-568 mm
- **Cabinet Height:** 583-585 mm (for under-counter) or 600-601 mm (for tall cabinet)
- **Oven Dimensions (H x W x D):** Approximately 595 x 595 x 564 mm
- Ensure a minimum clearance of 30 mm from the back wall.

OPERATING INSTRUCTIONS

Your Indesit IFVR 800 H AN oven features a user-friendly control panel for selecting cooking programs and temperature settings.



Image: The Indesit IFVR 800 H AN built-in oven, showcasing its design and integration into a kitchen environment.

Control Panel Overview



Image: Close-up view of the Indesit IFVR 800 H AN oven control panel, detailing the program selection knob (left), analog timer (center), and temperature control knob (right).

- **Left Knob:** Program Selector. Turn this knob to choose your desired cooking function.
- **Center Dial:** Analog Timer. Set the cooking duration or use it as a minute minder.
- **Right Knob:** Temperature Control. Adjust the oven temperature according to your recipe.

Cooking Programs

The oven offers up to 9 versatile cooking programs to suit various culinary needs:

- **Forced Air Ventilated:** For even cooking of multiple dishes simultaneously.
- **Pizza Mode:** Optimized for baking pizzas with a crispy crust.
- **Grill:** Ideal for grilling meat, toast, and browning dishes.
- **Defrost:** Gently thaws frozen foods.
- **Convection:** Circulates hot air for uniform cooking.
- **Gratin:** Combines grill and convection for browning and crisping.
- **Static:** Traditional cooking for single-shelf dishes.

To start cooking, select a program, set the desired temperature, and adjust the timer if needed. The oven will begin heating to the set temperature.

MAINTENANCE AND CLEANING

Regular cleaning and maintenance will ensure the longevity and optimal performance of your oven.

Steam&Clean Self-Cleaning Function

The oven features a Steam&Clean function for effortless cleaning. Pour 200 ml of water into the oven cavity. Activate the automatic program, which runs for 35 minutes at 90°C, using only steam to eliminate dirt without chemical detergents.

Reclinable Grill

For easier access to the top of the oven cavity, the grill can be unlatched and tilted outwards. This simplifies cleaning of the internal surfaces after use.

General Cleaning

- Clean the exterior surfaces with a soft cloth and mild detergent.
- For stubborn stains inside the oven, use specialized oven cleaners, following the product instructions carefully.
- Ensure the oven is cool before cleaning.

TROUBLESHOOTING

If you encounter issues with your oven, refer to the following common troubleshooting tips:

- **Oven not heating:** Check if the oven is properly plugged in and if the circuit breaker has tripped. Ensure the timer is not set to 'off' or 'zero'.
- **Uneven cooking:** Ensure food is placed centrally and that the oven racks are correctly positioned. Avoid overcrowding the oven.
- **Oven light not working:** The bulb may need replacement. Refer to the service section for bulb replacement instructions or contact customer support.
- **Excessive smoke:** This can be caused by food spills or residue. Clean the oven thoroughly. If smoke persists, discontinue use and contact service.

For problems not listed here or if issues persist, contact Indesit customer support.

SPECIFICATIONS

Feature	Detail
Brand	Indesit
Model Name/Number	IFVR 800 H AN / IFVR800HAN
Capacity	65 Liters
Color	New Anthracite
Heating Method	Convection
Fuel Type	Electric
Installation Type	Built-in
Electric Power	50 KW (Note: This value is provided in the product data. Typical domestic ovens are 2-3 KW.)
Special Features	Ventilated oven with grill function, Steam&Clean self-cleaning, Reclinable grill
Timer Function	Yes
Voltage	28 Volt (Note: This value is provided in the product data. Typical domestic ovens are 230V.)

Feature	Detail
Door Opening Direction	Right
Smart Home Compatibility	Not compatible
Lock Type	Mechanical or Electronic
Defrost	Automatic defrost
Item Weight	23 Kilograms
Manufacturer	Indesit
GTIN	08050147533246
Finish	Matte
Material	Metal

WARRANTY INFORMATION

The Indesit IFVR 800 H AN oven comes with a **2-year manufacturer's warranty**. Please retain your proof of purchase for any warranty claims. The warranty covers manufacturing defects and malfunctions under normal domestic use.

For detailed terms and conditions, please refer to the warranty card included with your product or visit the official Indesit website.

CUSTOMER SUPPORT

For technical assistance, spare parts, or further information regarding your Indesit oven, please contact Indesit customer service.

You can also visit the official Indesit store for product information and support resources: [Indesit Store](#)