

## beko DIN24C10

# Instruction Manual

## BEKO DIN24C10 DISHWASHER

### 1. INTRODUCTION

---

Thank you for choosing a BEKO appliance. This instruction manual provides comprehensive guidance for the safe and efficient use of your new DIN24C10 fully integrated dishwasher. Please read this manual thoroughly before operating the appliance and keep it for future reference. Proper installation, operation, and maintenance will ensure optimal performance and longevity of your dishwasher.

### 2. SAFETY INFORMATION

---

Your safety and the safety of others are paramount. This section contains important safety instructions. Failure to observe these instructions may result in injury or damage.

- **Electrical Safety:** Ensure the appliance is connected to a properly grounded outlet. Do not use extension cords. Disconnect power before any maintenance or cleaning.
- **Water Safety:** Ensure water connections are secure to prevent leaks. Do not operate the dishwasher if there is visible damage to the water inlet hose.
- **Child Safety:** Keep children away from the dishwasher, especially when it is operating. Detergents are corrosive; keep them out of reach of children.
- **General Use:** Only use detergents and rinse aids specifically designed for dishwashers. Do not open the door during operation, as hot water and steam may escape.

### 3. PRODUCT OVERVIEW

---

The BEKO DIN24C10 is a fully integrated dishwasher designed for efficient cleaning of your dishes. It features a 13-place setting capacity and operates with a noise level of 49 dB, ensuring quiet performance. The appliance is designed to be seamlessly integrated into your kitchen cabinetry.



Figure 3.1: Front view of the BEKO DIN24C10 Dishwasher, showcasing its integrated design and interior racks.

Key features include an intensive cycle option and a robust metal construction. The control panel is fully integrated, providing a sleek and modern appearance.

## 4. SETUP AND INSTALLATION

---

This section provides general guidelines for installing your BEKO DIN24C10 dishwasher. Professional installation is recommended to ensure proper functioning and safety.

### 4.1 Unpacking and Positioning

- Carefully remove all packaging materials.
- Position the dishwasher in the designated cabinet opening. Ensure there is sufficient space for ventilation and connections.

### 4.2 Dimensions and Integration

The dishwasher is designed for full integration. Refer to the diagram below for precise dimensions required for installation.

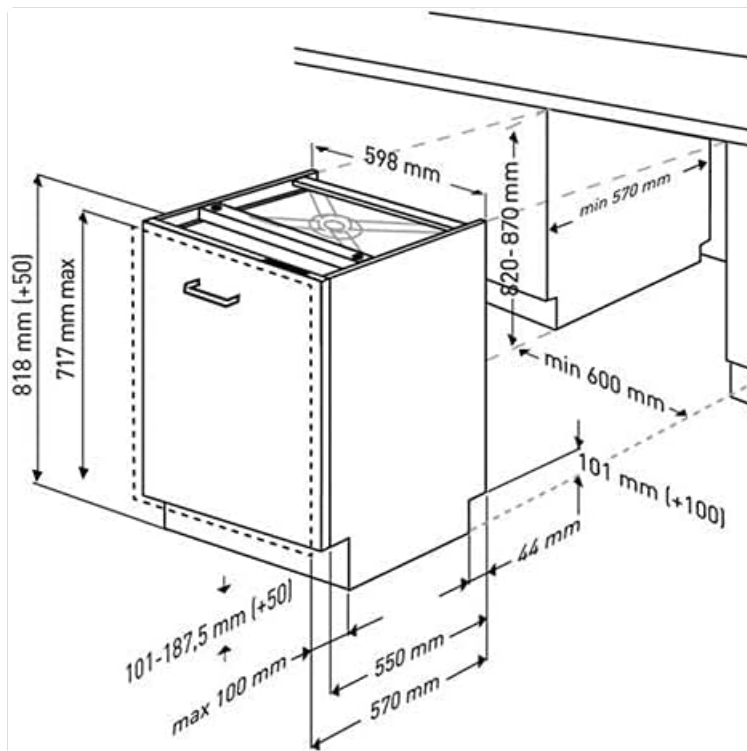


Figure 4.1: Installation dimensions for the BEKO DIN24C10 Dishwasher. Dimensions are in millimeters.

### 4.3 Connections

- **Water Supply:** Connect the water inlet hose to a cold water supply with a minimum pressure of 0.03 MPa and a maximum of 1 MPa.
- **Drainage:** Connect the drain hose to a suitable drain pipe, ensuring it is properly secured and free from kinks.
- **Electrical Connection:** Connect the appliance to a grounded electrical outlet as per local regulations. The voltage requirement is 230V.

## 5. OPERATING INSTRUCTIONS

Follow these steps for daily operation of your BEKO DIN24C10 dishwasher.

### 5.1 Loading the Dishwasher

- Scrape off large food particles from dishes.
- Place larger items (pots, pans, plates) in the lower rack.
- Place glasses, cups, and smaller bowls in the upper rack.
- Arrange cutlery in the provided cutlery basket, handles down for forks and spoons, handles up for knives.

### 5.2 Adding Detergent and Rinse Aid

- Fill the detergent dispenser with the appropriate amount of dishwasher detergent.
- Check the rinse aid indicator and refill the rinse aid dispenser if necessary. Rinse aid helps with drying and prevents spots.

### 5.3 Selecting a Program

Close the dishwasher door. The fully integrated control panel allows you to select the desired wash program. For heavily soiled items, the 'Intensive' cycle is recommended. Consult the program chart in your quick start guide for detailed program descriptions and durations.

## 5.4 Starting the Cycle

Press the Start button to begin the selected wash cycle. The dishwasher will automatically turn off upon completion of the cycle.

# 6. MAINTENANCE

---

Regular maintenance ensures the optimal performance and longevity of your dishwasher.

## 6.1 Cleaning Filters

- The filter system should be checked and cleaned regularly (e.g., weekly or bi-weekly).
- Remove the coarse filter, fine filter, and microfilter. Rinse them under running water to remove food particles.
- Reassemble the filters correctly before placing them back into the dishwasher.

## 6.2 Cleaning Spray Arms

Check the spray arm nozzles for blockages. If necessary, remove the spray arms and clean the nozzles with a thin object like a toothpick.

## 6.3 Adding Dishwasher Salt

If your water supply is hard, you may need to add dishwasher salt to prevent limescale buildup. The salt indicator light will illuminate when a refill is needed.

## 6.4 Exterior Cleaning

Wipe the exterior surfaces of the dishwasher with a soft, damp cloth. Do not use abrasive cleaners or solvents.

# 7. TROUBLESHOOTING

---

Before contacting service, please refer to the following common issues and their solutions.

Problem	Possible Cause / Solution
Dishwasher does not start	Check if the power cord is plugged in. Ensure the door is fully closed. Check the circuit breaker.
Dishes are not clean	Check if spray arms are blocked. Ensure filters are clean. Use adequate detergent. Load dishes correctly.
Water remains in the dishwasher	Check if the drain hose is kinked or blocked. Clean the filters.
Excessive noise	Ensure dishes are not rattling against each other or the spray arms. Check for foreign objects in the pump area.
Spots or streaks on dishes	Adjust rinse aid dosage. Check water hardness and add salt if necessary.

# 8. SPECIFICATIONS

---

Detailed technical specifications for the BEKO DIN24C10 dishwasher.

Specification	Value
Brand	Beko
Model Number	DIN24C10 (SSDI)
Installation Type	Built-in / Fully Integrated
Capacity	13 Place Settings
Noise Level	49 dB
Energy Consumption per 100 cycles	104 kWh
Water Consumption per cycle	11.5 L
Product Dimensions (W x H x D)	59.8 x 86.8 x 57 cm
Voltage	230V
Control Type	Fully Integrated
Material	Metal
Special Features	Ultraviolet sterilization (as per product data)

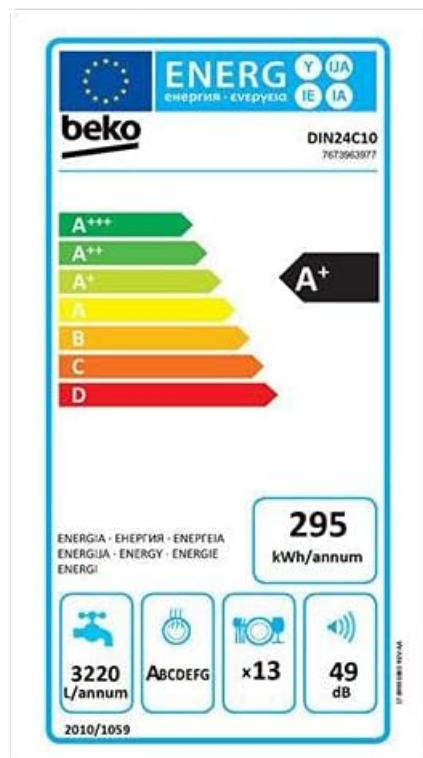


Figure 8.1: Energy Label for BEKO DIN24C10, indicating its energy efficiency and consumption ratings.

## 9. WARRANTY AND SUPPORT

For warranty information and customer support, please refer to the warranty card included with your appliance

or visit the official BEKO website. Keep your proof of purchase for any warranty claims.

If you encounter issues that cannot be resolved using the troubleshooting guide, please contact BEKO customer service for assistance. Provide your model number (DIN24C10) and serial number when contacting support.