



[Manuals.plus](#) /

› [SEAFLO](#) /

› SEAFLO 55-Series Washdown Pump Kit User Manual

SEAFLO SFWP1-055-070-55

SEAFLO 55-Series Washdown Pump Kit User Manual

Brand: SEAFLO | Model: SFWP1-055-070-55

1. INTRODUCTION

This manual provides detailed instructions for the installation, operation, and maintenance of your SEAFLO 55-Series Washdown Pump Kit. This 12V DC diaphragm pump system is designed for heavy-duty cleaning tasks in various environments, including marine, RV, off-grid, freshwater, and saltwater applications. Please read this manual thoroughly before installation and operation to ensure proper use and longevity of the product.

2. SAFETY INFORMATION

- Always disconnect power before performing any service or maintenance.
- Ensure proper ventilation during operation.
- Do not pump flammable liquids.
- Protect the pump from freezing temperatures.
- Use appropriate wiring and fuse protection as specified in the electrical requirements.
- Keep hands and loose clothing away from moving parts.

3. PACKAGE CONTENTS

Verify that all components listed below are present in your kit:

- (1) SEAFLO 55-Series 12V DC Washdown Pump (5.5 GPM, 70 PSI)
- (1) 25' Coiled Hose (UV Protected, 1/2")

- (1) High-Pressure Spray Nozzle with Quick Connect
- (1) Inline Strainer Filter (1/2" x 1/2")
- (2) 1/2" Barbed Fittings
- (1) Quick Connect Fitting

Included Components



(1) Heavy-Duty 5.5 GPM, 70 PSI Washdown Pump



(1) 1/2" x 1/2" Inline Strainer Filter



(1) Trigger Spray Nozzle with Quick Connect



(1) 25' Coiled Hose (UV Protected, 1/2")



(2) 1/2" Barbed Fittings

Image: All components included in the SEAFLO 55-Series Washdown Pump Kit, showing the pump, coiled hose, spray nozzle, inline filter, and various fittings.

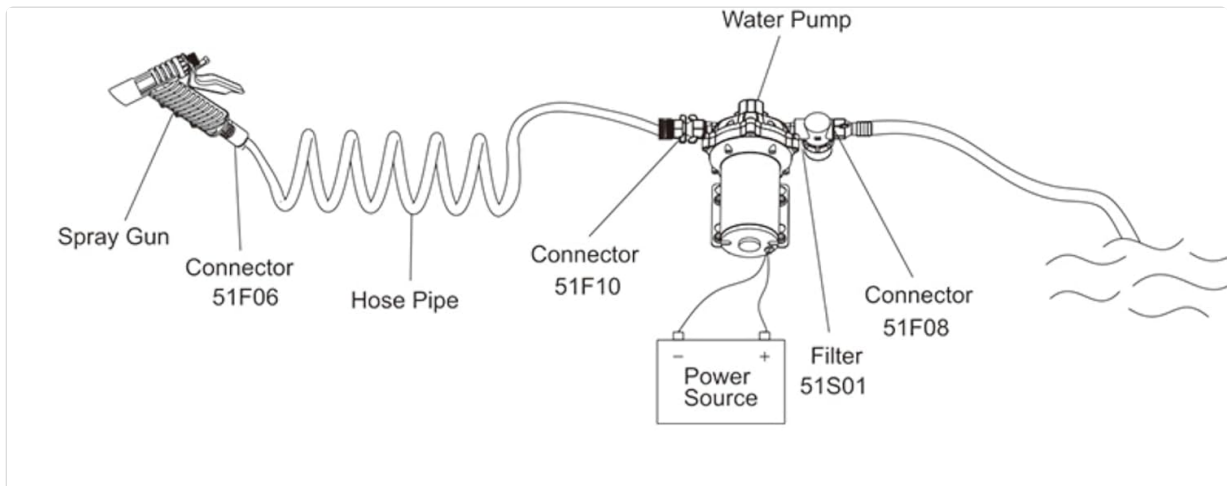
4. INSTALLATION

4.1 Mounting the Pump

1. Select a dry, well-ventilated location for mounting the pump.
2. Ensure the pump is mounted in a position that allows for easy access for maintenance and inspection.
3. Mount the pump vertically with the motor at the top, if possible, to prevent water from entering the motor in case of a leak.
4. Use the integrated rubber mounting base to reduce vibration and noise. Secure the pump using appropriate fasteners (not included).

4.2 Plumbing Connections

1. Install the inline strainer filter on the inlet side of the pump to protect it from debris. Ensure the arrow on the filter points towards the pump.
2. Connect the inlet hose from your water source (freshwater tank or saltwater intake) to the filter, and then to the pump's inlet port using the provided 1/2" barbed fittings.
3. Connect the coiled hose to the pump's outlet port.
4. Attach the high-pressure spray nozzle to the coiled hose using the quick connect fitting.
5. Ensure all connections are tight to prevent leaks. Use thread sealant tape on threaded connections if necessary.



Model Number	SFWP1-055-070-55
Voltage	12V DC
Open Flow	5.5 GPM (20.8 LPM)
Pressure	70 PSI (4.8 BAR)
Max-Draw	18.0A
Max Recommended Temperature	140°F (60°C)
Material	Santoprene (Diaphragm), EPDM (Valves)

Image: Diagram illustrating the typical installation of the SEAFLO washdown pump system, showing connections from a water source through the filter to the pump, and then to the hose and spray gun.

4.3 Electrical Connections

1. The pump operates on 12V DC power. Connect the positive (+) wire (red) from the pump to a fused 12V DC power source.
2. Connect the negative (-) wire (black) from the pump to a suitable ground.
3. Ensure the fuse size is appropriate for the pump's maximum current draw (18.0A). A 20A fuse is recommended.
4. All electrical connections should be waterproof and corrosion-resistant, especially in marine

environments.

5. OPERATING INSTRUCTIONS

1. **Priming the Pump:** The pump is self-priming up to 6 feet of vertical lift. To prime, ensure the inlet hose is submerged in water and all air is purged from the system. Open the spray nozzle to allow water to flow freely until a steady stream is achieved.
2. **Power On:** Turn on the 12V DC power supply to the pump. The pump will run until the system pressure reaches the set cut-off pressure (approximately 70 PSI).
3. **Using the Spray Nozzle:** Squeeze the trigger on the spray nozzle to begin spraying. The pump will automatically restart when the pressure drops. Release the trigger to stop spraying; the pump will shut off once pressure is restored.
4. **Adjusting Pressure:** The pump features an adjustable pressure switch. To adjust, locate the adjustment screw on the pressure switch and turn it clockwise to increase pressure or counter-clockwise to decrease pressure. Make small adjustments and test the pressure.
5. **Run-Dry Capability:** The pump is designed to run dry without damage, but prolonged dry running should be avoided.



Image: A user operating the high-pressure spray nozzle, demonstrating its extended spray range for

6. MAINTENANCE

- **Regular Inspection:** Periodically check all hoses, connections, and wiring for wear, leaks, or corrosion.
- **Filter Cleaning:** Regularly inspect and clean the inline strainer filter to prevent debris from entering the pump, which can reduce performance and cause damage.
- **Winterization:** In freezing climates, drain all water from the pump and hoses to prevent damage from ice expansion. Consider using RV/marine antifreeze if the system cannot be fully drained.
- **Saltwater Use:** After using the pump with saltwater, flush the system with fresh water to minimize salt buildup and corrosion.

7. TROUBLESHOOTING

Problem	Possible Cause	Solution
Pump does not run	No power, blown fuse, loose wiring, faulty switch	Check power supply, replace fuse, tighten connections, test switch
Low flow or pressure	Clogged filter, air leak in inlet, kinked hose, low voltage	Clean filter, check inlet connections, straighten hose, verify voltage
Pump runs continuously	Leak in system, open nozzle, faulty pressure switch	Check for leaks, close nozzle, inspect/replace pressure switch
Noisy operation	Air in system, loose mounting, debris in pump	Purge air, secure mounting, clean pump head

8. SPECIFICATIONS

Feature	Detail
Model Number	SFWP1-055-070-55
Voltage	12V DC
Open Flow Rate	5.5 GPM (20.8 LPM)
Pressure	70 PSI (4.8 BAR)
Max Current Draw	18.0A
Max Recommended Temperature	140°F (60°C)
Diaphragm Material	Santoprene
Valve Material	EPDM
Housing Material	Nylon / Polypropylene

Feature	Detail
Dimensions (L x W x H)	8.5" x 5.75" x 5.16"
Item Weight	7.5 Pounds



Image: Technical drawing showing the dimensions of the SEAFLO 55-Series Washdown Pump.

9. WARRANTY AND SUPPORT

The SEAFLO 55-Series Washdown Pump Kit is backed by SEAFLO's industry-leading 4-year warranty, ensuring peace of mind regarding product quality and performance. For warranty claims, technical support, or further assistance, please contact SEAFLO customer service or visit the official SEAFLO store online. For more information, visit the [SEAFLO Store](#).