

## HANNLOMAX HX-300CD

# HANNLOMAX HX-300CD CD Player Alarm Clock Radio User Manual

Model: HX-300CD

[Overview](#)

[Setup](#)

[Operation](#)

[Maintenance](#)

[Troubleshooting](#)

[Specifications](#)

## 1. PRODUCT OVERVIEW

The HANNLOMAX HX-300CD is a versatile alarm clock radio featuring a top-loading CD player, PLL FM radio, digital clock with a 1.2-inch white LED display, dual alarms, and dual USB charging ports. It is designed for ease of use with clear controls and a memory backup function.

### Key Features:

- **Top Loading CD Player:** Enjoy audio CDs with programmable functions and stereo sound.
- **PLL FM Radio:** Digital tuning with preset station memory and an external wire antenna for improved reception.
- **Digital Clock:** Large 1.2-inch white LED display with adjustable brightness (dimmer control).
- **Dual Alarms:** Set two independent alarms with options to wake to CD, radio, or buzzer.
- **Dual USB Charging Ports:** Two USB ports (2.1A and 1A) for charging smartphones and other devices.
- **Aux-in:** 3.5mm jack for connecting external audio devices.
- **Memory Backup:** Retains settings during power outages (requires 1 Lithium Metal battery, included).



Image 1.1: Front view of the HANNLOMAX HX-300CD unit, displaying the digital clock, USB charging ports, and control buttons.

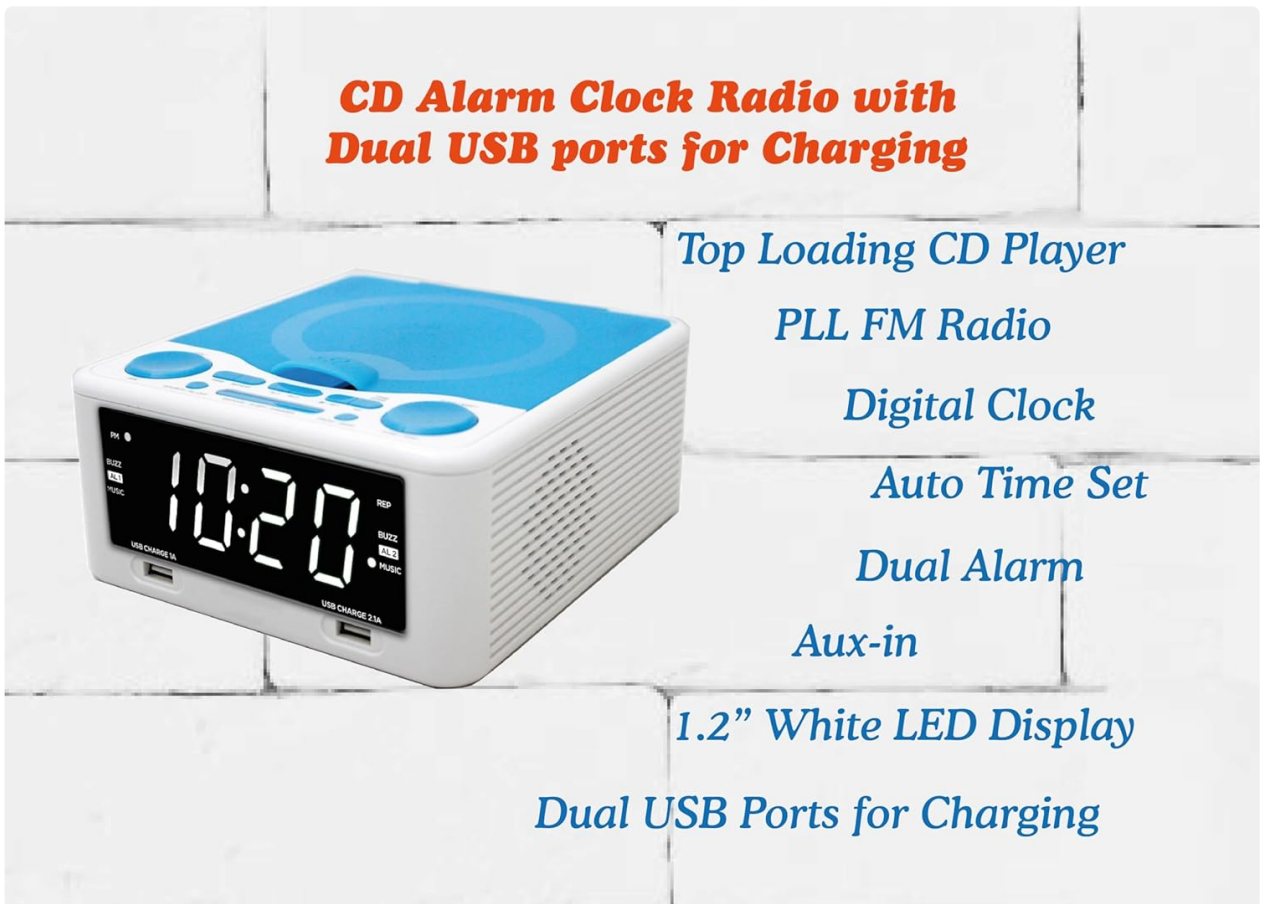


Image 1.2: Overview of the HANNLOMAX HX-300CD's main features, including Top Loading CD Player, PLL FM Radio, Digital Clock, Auto Time Set, Dual Alarm, Aux-in, 1.2" White LED Display, and Dual USB Ports for Charging.

## 2. INITIAL SETUP

---

## 2.1 Power Connection

1. Connect the supplied AC/DC adaptor to the DC IN jack located on the back of the unit.
2. Plug the adaptor into a standard AC wall outlet (100-240V, 50/60Hz).
3. The unit will power on, and the LED display will illuminate.

## 2.2 Battery Backup

The unit includes a Lithium Metal battery for memory backup. This battery preserves your clock and alarm settings during a power interruption. No user action is typically required for this feature, as the battery is pre-installed.

## 2.3 Setting the Time

Refer to the 'Operating the Clock' section for detailed instructions on setting the current time. The unit may feature an auto-time set function; however, manual adjustment might be necessary depending on your region or if the auto-set feature is not active.

# 3. OPERATION

---

## 3.1 Operating the CD Player

1. Gently open the top-loading CD compartment cover.
2. Place an audio CD onto the spindle with the label side facing up.
3. Close the CD compartment cover securely.
4. Press the **PLAY/PAUSE** button to start playback.
5. Use the **SKIP/SEARCH** buttons (|<< and >>|) to navigate between tracks.
6. Press the **STOP** button to end CD playback.
7. The CD player supports programmable playback. Consult the full manual for programming instructions.



Image 3.1: The HANNLOMAX HX-300CD with its top-loading CD compartment open, showing the CD spindle.

### 3.2 Operating the FM Radio

1. Extend the external FM wire antenna for optimal reception.
2. Press the **FM** button to switch to FM radio mode.
3. Use the **TUNE +/-** buttons to manually tune to a desired station.
4. To auto-scan and preset stations, press and hold the **SCAN** button (if available) or refer to the full manual for specific instructions on auto-tuning and saving presets.

### 3.3 Operating the Digital Clock

1. In standby mode, press and hold the **TIME SET** button. The hour digits will flash.
2. Use the **HOUR** and **MINUTE** buttons (or **TUNE +/-**) to adjust the hour and minute.
3. Press **TIME SET** again to confirm.
4. To adjust display brightness, press the **DIMMER** button repeatedly to cycle through brightness levels.

### 3.4 Setting Dual Alarms

The HX-300CD features two independent alarms (AL1 and AL2).

1. Press and hold the **ALARM 1 SET** or **ALARM 2 SET** button. The alarm time will flash.
2. Use the **HOURL** and **MINUTE** buttons to set the desired alarm time.
3. Press the respective **ALARM SET** button again to select the alarm source (CD, Radio, or Buzzer).
4. Press the **ALARM SET** button one more time to confirm and activate the alarm. An alarm indicator will appear on the display.
5. To turn off a sounding alarm, press the **ALARM OFF** button. To temporarily silence it, press the **SNOOZE** button.

### 3.5 Using USB Charging Ports

The unit provides two USB charging ports:

- One 2.1A port for faster charging of compatible devices.
- One 1A port for standard charging.

Simply connect your smartphone, tablet, or other USB-powered device to the appropriate USB port using its charging cable. Charging will begin automatically.

### 3.6 Aux-in Connection

To play audio from an external device:

1. Connect one end of a 3.5mm audio cable (not included) to the AUX-IN jack on the unit.
2. Connect the other end of the cable to the headphone jack or audio output of your external device (e.g., smartphone, MP3 player).
3. Press the **AUX** button on the unit to switch to Aux-in mode.
4. Control playback and volume from your external device.

## 4. MAINTENANCE

---

### 4.1 Cleaning the Unit

- Before cleaning, ensure the unit is unplugged from the power outlet.
- Use a soft, dry cloth to wipe the exterior surfaces.
- Do not use abrasive cleaners, waxes, or solvents as they may damage the finish.
- For the CD lens, use a specialized CD lens cleaner disc or a soft, lint-free cloth designed for optical lenses.

### 4.2 CD Care

- Handle CDs by their edges to avoid fingerprints on the playing surface.
- Store CDs in their cases when not in use to prevent scratches and dust accumulation.
- Clean dirty CDs with a soft, lint-free cloth, wiping gently from the center outwards.

## 5. TROUBLESHOOTING

---

Problem	Possible Cause	Solution
---------	----------------	----------

Problem	Possible Cause	Solution
Unit does not power on.	Power adaptor not connected or faulty outlet.	Ensure AC/DC adaptor is securely plugged into the unit and a working wall outlet.
No sound from CD player/radio.	Volume too low; incorrect mode selected; CD dirty/scratched; FM antenna not extended.	Increase volume. Ensure correct mode (CD/FM/AUX) is selected. Clean or replace CD. Extend FM antenna.
CD skips or does not play.	CD is dirty, scratched, or inserted incorrectly.	Clean the CD. Ensure it is placed correctly in the compartment. Try another CD.
Poor FM radio reception.	FM antenna not fully extended or unit placement.	Fully extend the FM wire antenna. Reposition the unit for better reception.
Alarm does not sound.	Alarm not set or activated; volume too low.	Verify alarm time and source are set correctly and activated. Increase alarm volume.
Display is too bright/dim.	Dimmer setting needs adjustment.	Press the <b>DIMMER</b> button to cycle through brightness levels.
USB charging not working.	Device not compatible; cable faulty; device fully charged.	Ensure device is compatible. Try a different USB cable. Check device charging status.

## 6. SPECIFICATIONS

Feature	Detail
Brand	HANNLOMAX
Model	HX-300CD
Display Type	Digital, 1.2" White LED
Power Source	AC/DC Adaptor, Corded Electric
Battery Backup	1 Lithium Metal battery (included)
USB Charging Ports	Dual (2.1A and 1A)
Audio Connectivity	Aux-in (3.5mm jack)
Product Dimensions	6.3"W x 3.27"H (approx. 160mm W x 85mm H)
Item Weight	2.35 Pounds
Material	Plastic (Frame), Metal (Speaker body)
Indoor/Outdoor Usage	Indoor

# Unit Dimensions

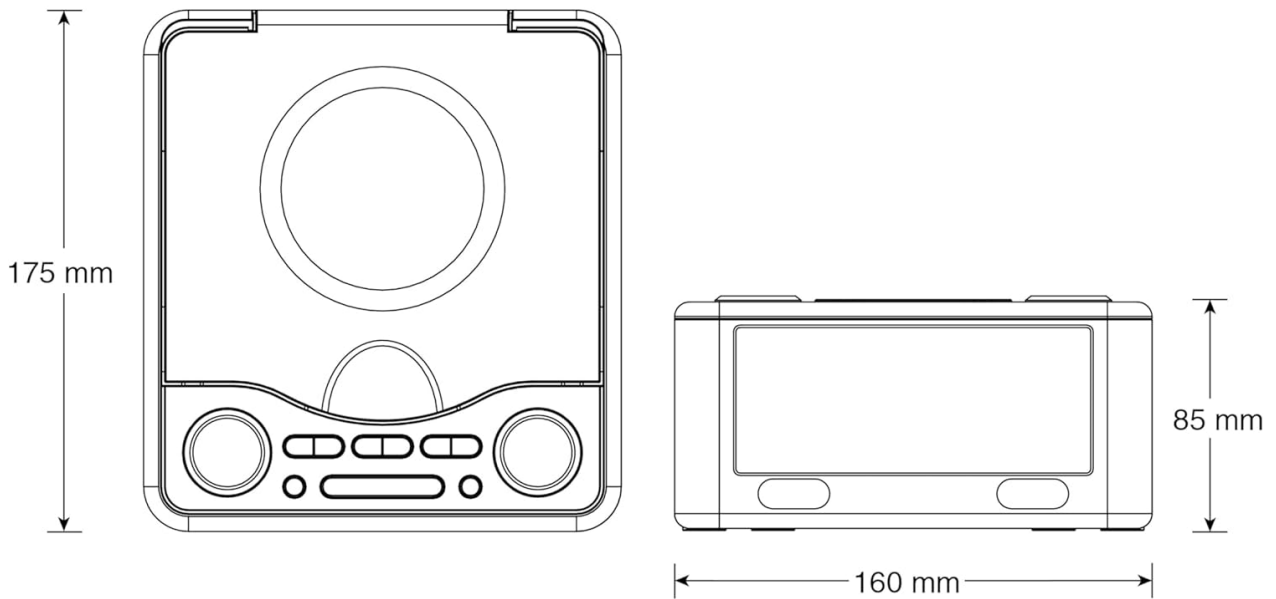


Image 6.1: Technical drawing showing the dimensions of the HANNLOMAX HX-300CD unit (160mm width, 175mm depth, 85mm height).

## 7. WARRANTY AND SUPPORT

For warranty information and customer support, please refer to the documentation included with your product or contact HANNLOMAX customer service directly. Details can typically be found on the manufacturer's official website or through your retailer.

Please retain your proof of purchase for any warranty claims.