

Manuals.plus /

› Rowood /

› Rowood LG501 Wooden Marble Run Model Kit Instruction Manual

Rowood LG501

Rowood LG501 Wooden Marble Run Model Kit Instruction Manual

Model: LG501 | Brand: Rowood

INTRODUCTION

This manual provides detailed instructions for the assembly, operation, and maintenance of your Rowood LG501 Wooden Marble Run Model Kit. Designed for adults and recommended for ages 14 and up, this 3D wooden puzzle offers an engaging building experience and a functional marble run display. Please read all instructions carefully before beginning assembly.

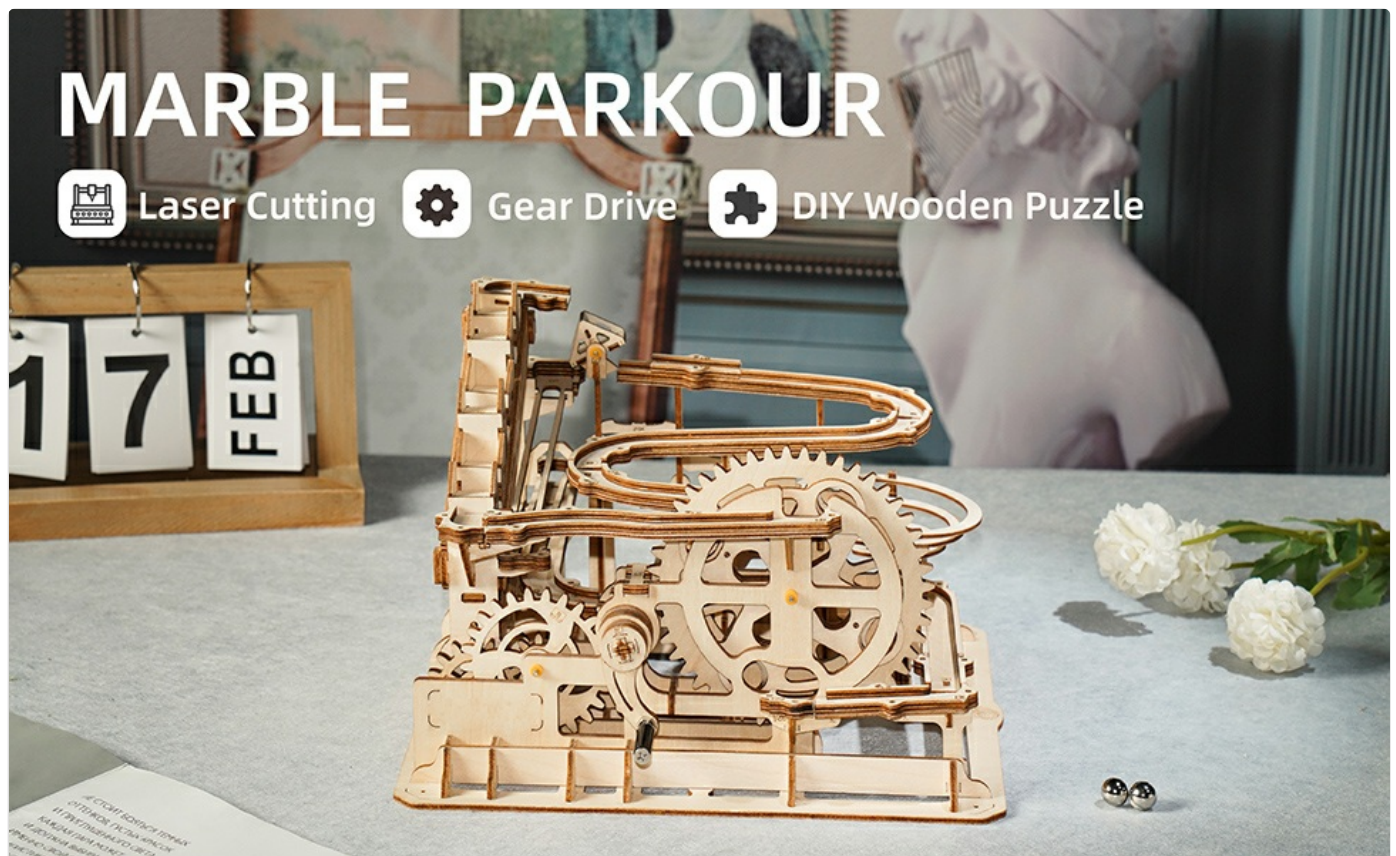


Figure 1: Fully assembled Rowood LG501 Wooden Marble Run Model Kit, showcasing its intricate design and marble tracks.

SAFETY INFORMATION

- **Recommended Age:** This kit is designed for individuals aged 14 years and older.
- **Small Parts:** The kit contains small parts and marbles which can be a choking hazard. Keep out of reach of small children.
- **Sharp Edges:** Some wooden pieces may have sharp edges. Handle with care during assembly.

WHAT'S IN THE BOX

Your Rowood LG501 kit includes the following components:

- 5 wooden sheets with pre-cut pieces
- 10 x metal balls (marbles)
- Miscellaneous hardware (e.g., shafts, connectors)
- Illustrated instruction manual
- Wax lubricant

SETUP AND ASSEMBLY

Assembly of the LG501 model kit requires patience and attention to detail. Follow the included illustrated instructions step-by-step for the best results.

1. **Preparation:** Carefully remove all pre-cut wooden pieces from their sheets. Use a craft knife or sandpaper if necessary to smooth any rough edges. Organize pieces by number as indicated in the manual.
2. **Following Instructions:** Refer to the detailed English instruction manual with pictures for each assembly step. Each piece is clearly marked and labeled.
3. **Connecting Pieces:** Some pieces may require gentle force to fit together. Avoid excessive force to prevent breakage. If a piece is too tight, lightly sand the edges.
4. **Lubrication:** Apply the provided wax lubricant to moving parts, especially gears and axles, as indicated in the instructions. This ensures smooth operation of the marble run.
5. **Delicate Parts:** Exercise caution when handling thin or intricate pieces, such as the spiral track components. If a piece breaks, wood glue can be used for repair.
6. **Teamwork (Optional):** For a more enjoyable experience, consider assembling the kit with another person. One person can identify and prepare pieces while the other focuses on assembly.

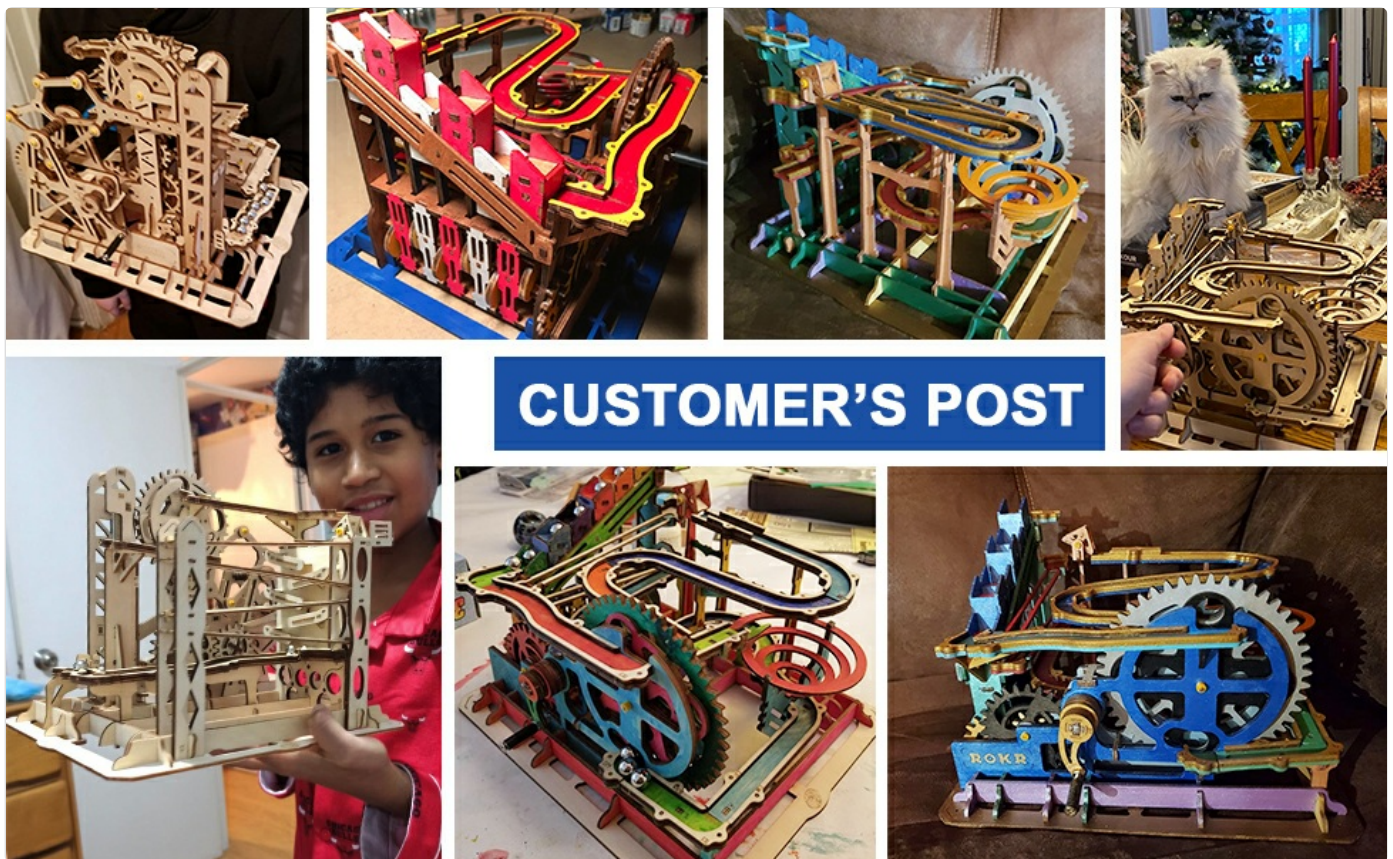


Figure 2: Example of assembly steps, showing the intricate construction process of the wooden marble run.

OPERATING INSTRUCTIONS

Once fully assembled, your Rowood LG501 Marble Run is ready for operation. The model features a hand crank and a series of gears and tracks to transport marbles.

1. **Loading Marbles:** Place the metal marbles into the designated loading area at the base of the marble lift mechanism.
2. **Activating the Mechanism:** Locate the hand crank on the side of the model. Gently turn the crank to engage the gears.
3. **Marble Movement:** As the gears turn, the marble lift mechanism will transport the marbles upwards. They will then travel through various tracks, including a cascade transmission, a flip-flop switch, and a spiral track, before returning to the base.
4. **Continuous Play:** Continue turning the hand crank to enjoy continuous marble movement through the intricate system.

Your browser does not support the video tag.

Video 1: Demonstration of the Rowood LG501 Marble Run in operation, showing the gears driving the marble lift and the marbles traversing the tracks.



Figure 3: Close-up of the hand crank and main gear wheel, which drives the marble lifting mechanism.

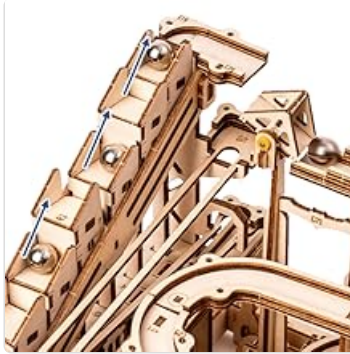


Figure 4: Detail of the cascade transmission, where marbles descend in a stepped sequence.

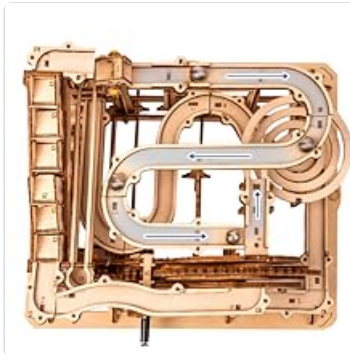


Figure 5: The flip-flop switch, which alternates the path of the marbles.

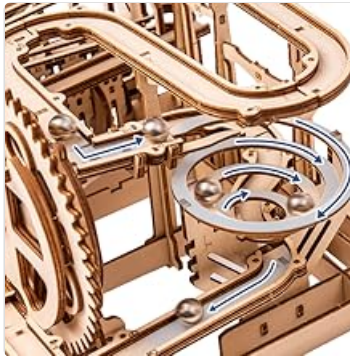


Figure 6: The spiral track, providing a circular descent for the marbles.

MAINTENANCE

To ensure the longevity and smooth operation of your wooden marble run, periodic maintenance is recommended.

- **Cleaning:** Dust the model regularly with a soft, dry cloth to prevent accumulation in moving parts and tracks.
- **Lubrication:** Reapply wax lubricant to gears, axles, and any other friction points if the mechanism starts to feel stiff or noisy.
- **Inspection:** Periodically check all connections and pieces for looseness or damage. Tighten any loose parts gently.
- **Storage:** Store the model in a dry environment away from direct sunlight and extreme temperature changes to

prevent warping or damage to the wood.

TROUBLESHOOTING

If you encounter any issues with your marble run, refer to the following common problems and solutions:

Problem	Possible Cause	Solution
Marbles get stuck on tracks.	Dust accumulation, insufficient lubrication, misaligned track pieces.	Clean tracks, apply wax lubricant, check and adjust track alignment.
Crank mechanism is stiff or noisy.	Lack of lubrication on gears/axles, tight connections.	Apply wax lubricant to all moving gear components. Ensure no pieces are overly tightened.
Wooden pieces break during assembly or use.	Excessive force, delicate nature of some parts.	Use wood glue to repair broken pieces. Handle with care.
Marbles fall off the track.	Improper assembly, loose track sections.	Re-examine the assembly steps for the affected section. Ensure all track pieces are securely fitted.

SPECIFICATIONS

- **Model Number:** LG501
- **Product Dimensions (Assembled):** 10 x 9.3 x 7.3 inches (25.4 x 23.6 x 18.5 cm)
- **Item Weight:** 1.85 pounds (0.84 kg)
- **Number of Pieces:** 254
- **Manufacturer Recommended Age:** 14 years and up
- **Material:** Wood

6
H

101
PCS

14+

Product Name: LG501

Assembly Size: 10.04 x 9.25 x 7.28inch

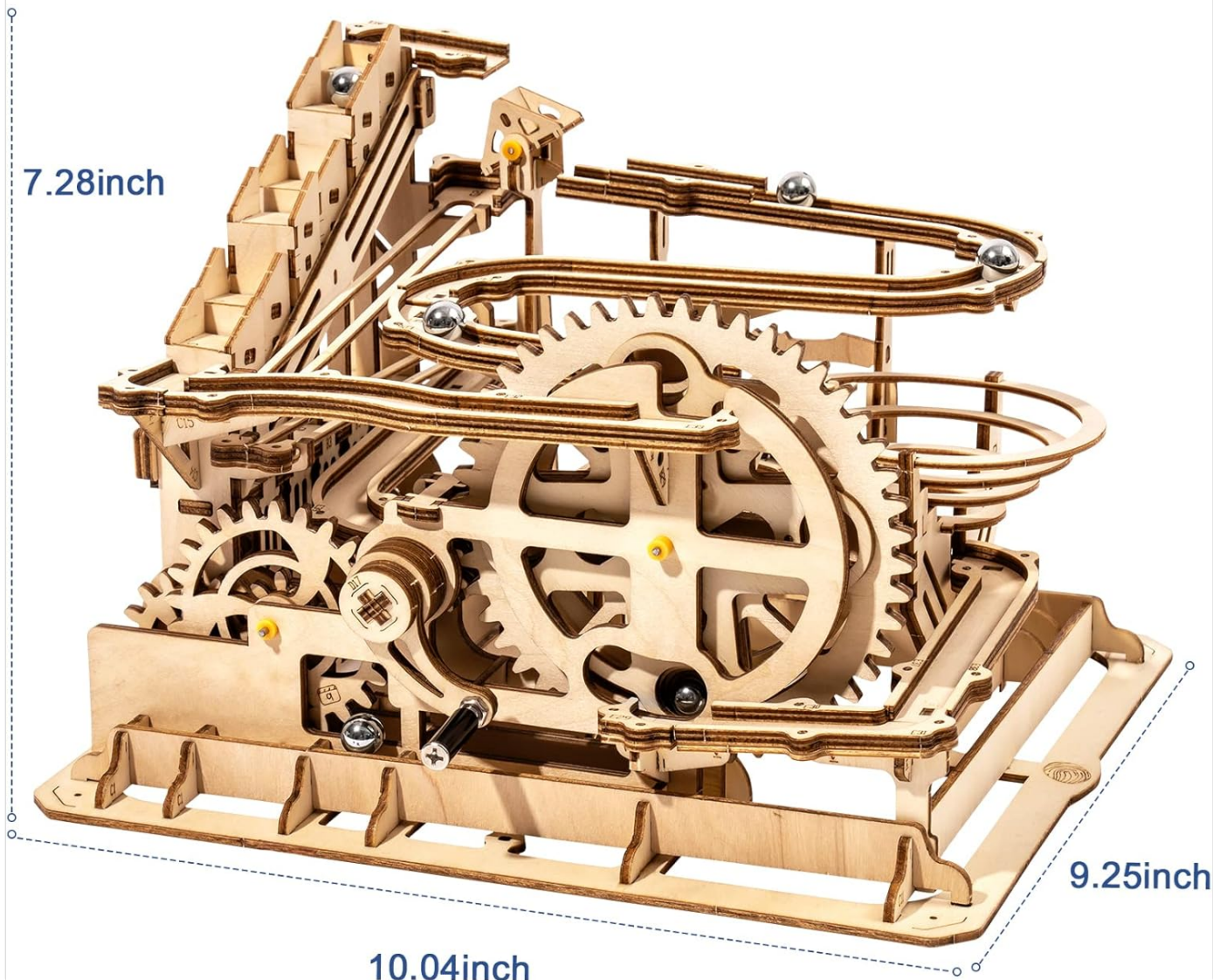


Figure 7: Diagram showing the assembled dimensions of the LG501 model kit.

WARRANTY AND SUPPORT

For any questions, concerns, or issues regarding your Rowood LG501 Wooden Marble Run Model Kit, please contact the manufacturer or seller directly. Refer to the product packaging or purchase details for specific contact information. We are committed to providing support for your product.