

Manuals.plus /

› Xanlite /

› Xanlite GU10 LED Spotlights 4.8W (50W Equivalent) Warm White - PACK5RCXG50S Instruction Manual

## Xanlite PACK5RCXG50S

# Xanlite GU10 LED Spotlights Instruction Manual

Model: PACK5RCXG50S

## INTRODUCTION

---

Thank you for choosing Xanlite GU10 LED Spotlights. This manual provides essential information for the safe installation, operation, and maintenance of your new LED bulbs. Please read these instructions carefully before use and retain them for future reference.

## SAFETY INFORMATION

---

- **Electrical Safety:** Always ensure the power supply is switched off at the mains before installing, removing, or cleaning the bulb. Failure to do so may result in electric shock.
- **Non-Dimmable:** These bulbs are **not compatible with dimmer switches**. Using them with a dimmer may cause damage to the bulb or the dimmer, and will void the warranty.
- **Heat:** Although LED bulbs generate less heat than traditional incandescent bulbs, they can still become warm during operation. Allow the bulb to cool completely before handling.
- **Indoor Use Only:** These spotlights are designed for indoor residential use. Do not expose them to moisture or outdoor elements.
- **Proper Fixture:** Ensure the fixture is suitable for GU10 base bulbs and has adequate ventilation.

## PRODUCT OVERVIEW

---

The Xanlite GU10 LED spotlight offers energy-efficient lighting with a warm white glow, ideal for various indoor settings. This pack includes 5 individual bulbs.



Image: The GU10 base features two pins for a secure twist-and-lock connection.



Image: Key specifications including power consumption, voltage, and expected lifespan.

Each bulb consumes only 4.8 Watts while providing light equivalent to a 50 Watt incandescent bulb. They emit a comfortable 2700 Kelvin warm white light with a brightness of 345 lumens and a 36-degree beam angle, suitable for focused illumination in living areas, hallways, or bedrooms.

## SPECIFICATIONS

---

<b>Brand</b>	Xanlite
<b>Model Number</b>	PACK5RCXG50S
<b>Light Type</b>	LED
<b>Bulb Base</b>	GU10
<b>Bulb Shape Size</b>	MR16
<b>Power Consumption</b>	4.8 Watts
<b>Equivalent Incandescent Power</b>	50 Watts
<b>Luminous Flux</b>	345 Lumens
<b>Color Temperature</b>	2700 Kelvin (Warm White)
<b>Beam Angle</b>	36 Degrees
<b>Voltage</b>	230 Volts
<b>Frequency</b>	50-60 Hertz
<b>Special Feature</b>	Non-Dimmable
<b>Lifespan</b>	15,000 Hours (approx.)
<b>Material</b>	Metal, Glass
<b>Indoor/Outdoor Use</b>	Indoor
<b>Energy Efficiency Class</b>	F

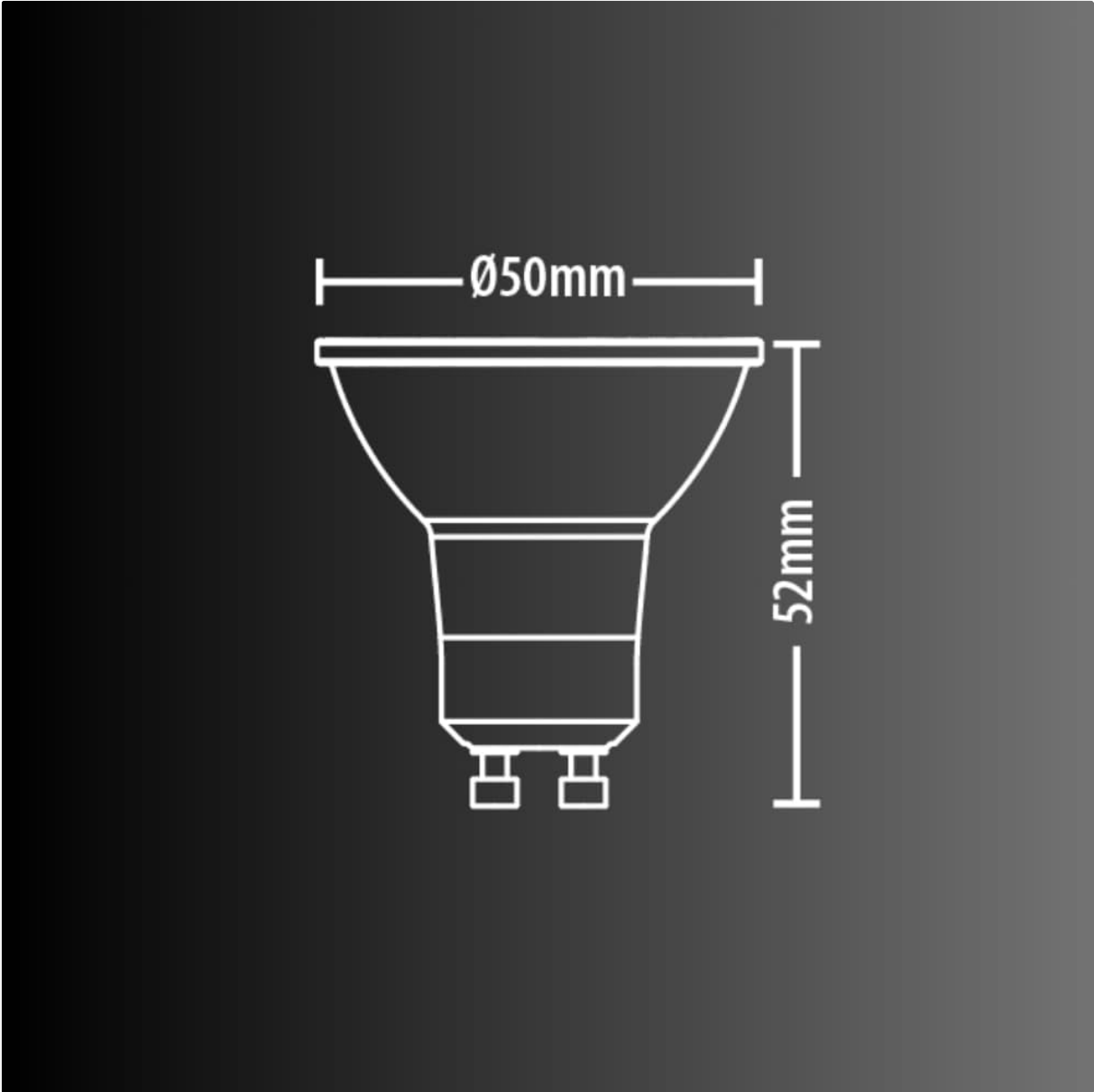


Image: Bulb dimensions (Diameter: 50mm, Height: 52mm).

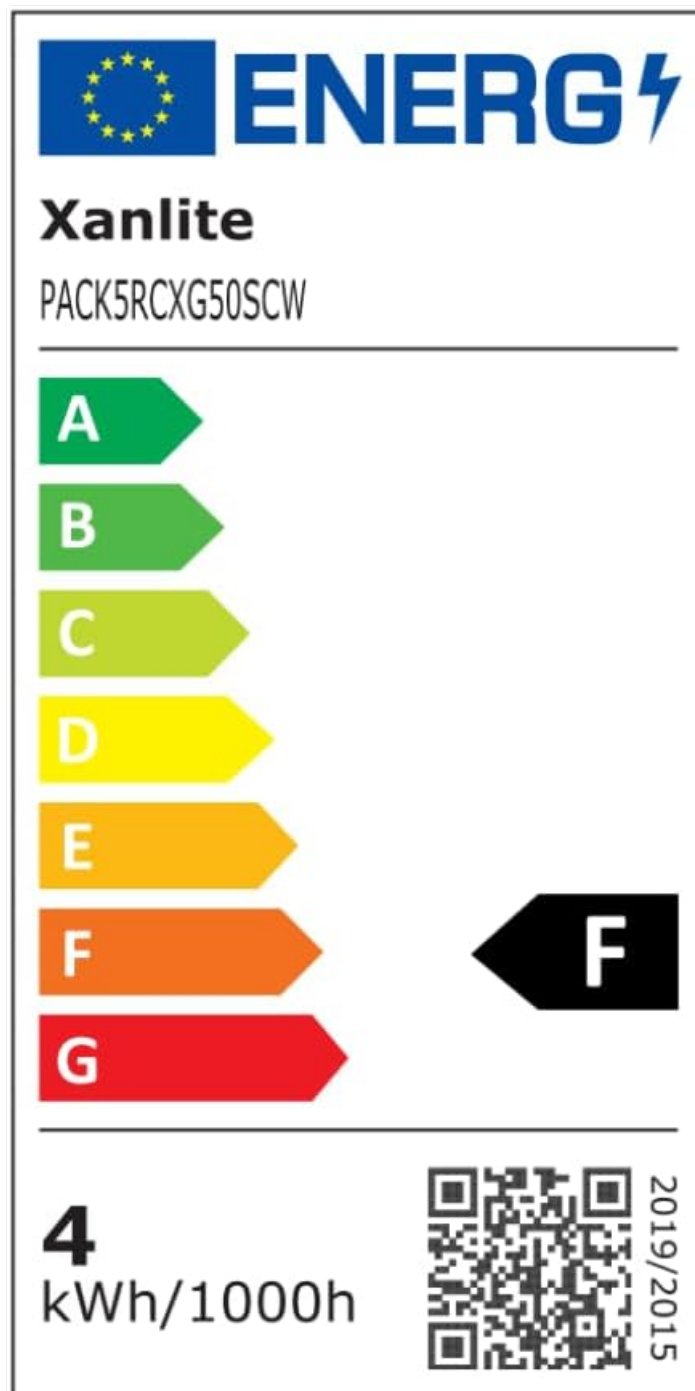


Image: Energy label indicating efficiency class F. For more details, visit the official EPREL database:  
<https://eprel.ec.europa.eu/qr/770710>

## SETUP AND INSTALLATION

1. **Turn Off Power:** Before beginning installation, ensure the power supply to the light fixture is completely switched off at the circuit breaker or fuse box.
2. **Remove Old Bulb (if applicable):** If replacing an existing bulb, allow it to cool down completely before carefully twisting and pulling it out of the GU10 socket.
3. **Insert New Bulb:** Align the two pins of the Xanlite GU10 LED spotlight with the two holes in the GU10 socket. Gently push the bulb into the socket and then twist it clockwise until it locks securely into place. Do not force the bulb.
4. **Restore Power:** Once the bulb is securely installed, restore power to the fixture at the circuit breaker.
5. **Test:** Turn on the light switch to confirm the bulb is working correctly.

## OPERATING INSTRUCTIONS

---

Operating your Xanlite GU10 LED spotlight is straightforward:

- Simply use the standard wall switch connected to your light fixture to turn the bulb on or off.
- As noted in the safety section and specifications, these bulbs are **non-dimmable**. Do not attempt to use them with a dimmer switch.

## MAINTENANCE

---

Xanlite GU10 LED spotlights require minimal maintenance:

- **Cleaning:** Ensure the power is off and the bulb is cool before cleaning. Wipe the bulb with a soft, dry, lint-free cloth. Do not use liquid cleaners or abrasive materials.
- **No User-Serviceable Parts:** The bulb contains no user-serviceable parts. Do not attempt to open or modify the bulb.
- **Disposal:** When the bulb reaches the end of its life, dispose of it according to local regulations for electronic waste.

## TROUBLESHOOTING

---

If you encounter issues with your Xanlite GU10 LED spotlight, refer to the following common problems and solutions:

- **Bulb does not light up:**
  - Check if the power supply to the fixture is on.
  - Ensure the bulb is correctly inserted and twisted securely into the GU10 socket.
  - Test the bulb in another working GU10 fixture to rule out a faulty fixture.
  - If the bulb still does not light, it may be faulty and require replacement.
- **Bulb flickers:**
  - Confirm that the bulb is not connected to a dimmer switch. These bulbs are non-dimmable.
  - Check for loose connections in the fixture or wiring.
  - Ensure the voltage supply is stable and within the specified range (230V).
- **Light is too dim or incorrect color:**
  - Verify that you have purchased the correct color temperature (2700K Warm White) and lumen output (345lm) for your needs.
  - Ensure the bulb is not covered or obstructed, which could reduce light output.

## WARRANTY

---

This Xanlite GU10 LED spotlight comes with a manufacturer's warranty of **5 years** from the date of purchase. Please retain your proof of purchase for any warranty claims. The warranty covers defects in materials and workmanship under normal use. It does not cover damage caused by improper installation, misuse, modification, or use with incompatible dimming systems.

## SUPPORT

---

For further assistance or if you have questions not covered in this manual, please contact your retailer or

the Xanlite customer support. You can typically find contact information on the product packaging or the official Xanlite website.