

BWE 6556H-Copper-2

BWE 6556H-Copper-2 Waterfall Vessel Sink Faucet Instruction Manual

Model: 6556H-Copper-2 | Brand: BWE

1. INTRODUCTION

Thank you for choosing the BWE 6556H-Copper-2 Waterfall Vessel Sink Faucet. This manual provides detailed instructions for the safe installation, operation, and maintenance of your new faucet. Please read this manual thoroughly before installation and keep it for future reference.

2. PRODUCT FEATURES

- **Waterfall Spout Design:** Creates a beautiful cascade of water for an enhanced user experience.
- **Single Handle Control:** Allows for easy and precise adjustment of water temperature and flow.
- **Pop-Up Drain Stopper:** Conveniently controls water flow and prevents overflow.
- **Antique Copper Finish:** Provides a unique and classic aesthetic, resistant to tarnishing and corrosion for long-lasting durability.
- **Easy Installation:** Designed for single-hole configuration, fitting most sinks and countertops, with all necessary mounting hardware and supply hoses included.

3. SPECIFICATIONS

Specification	Detail
Brand	BWE
Model Name	6556H-Copper-2
Recommended Uses	Bathroom
Mounting Type	Deck Mount

Finish Type	Copper
Material	Brass
Color	Copper
Number of Handles	1
Hole Count	1
Special Feature	Pop Up Drain
Spout Height	8.7 Inches
Spout Reach	3.9 Inches
Item Weight	4.13 pounds (1.88 Kilograms)
Product Dimensions	4.72 x 2.36 x 8.66 inches

4. PACKAGE CONTENTS

Verify that all components are present before beginning installation:

- BWE Waterfall Vessel Sink Faucet (Antique Copper)
- Pop-Up Drain Stopper
- Hot and Cold Water Supply Lines
- Mounting Hardware (nuts, washers, gaskets)
- Installation Wrench (may be included for specific components)

Multi-Layer Nano Coating

Never Fades, Always Shines



Rustproof



No
Fingerprint



No
Leakage



Solid Brass



Figure 1: Faucet dimensions and sink compatibility. This faucet is designed for single-hole sinks.

5. SAFETY INFORMATION

- Always turn off the main water supply before beginning any plumbing work.
- Wear appropriate personal protective equipment (PPE), such as safety glasses and gloves.
- If you are unsure about any step of the installation process, consult a qualified plumber.
- Do not overtighten connections, as this can damage the faucet or plumbing.

6. INSTALLATION GUIDE

Follow these steps for proper installation of your BWE vessel sink faucet:

1. **Prepare the Sink:** Ensure the sink hole is clean and free of debris. The faucet is designed for a single-hole installation.
2. **Install the Faucet:** Insert the faucet body through the hole in the sink. Ensure the base gasket is properly seated between the faucet and the sink surface.
3. **Secure the Faucet:** From underneath the sink, slide the rubber washer, metal washer, and mounting nut onto the threaded shank of the faucet. Hand-tighten the nut, then use a basin wrench or the provided wrench to firmly secure the faucet. Do not overtighten.
4. **Connect Water Supply Lines:** Attach the hot and cold water supply lines to the corresponding inlets on the faucet (typically marked with red for hot and blue for cold). Connect the other ends of the supply lines to your angle stops. Ensure all connections are tight to prevent leaks.
5. **Install Pop-Up Drain:** Follow the instructions provided with the pop-up drain stopper for proper installation into your vessel sink. Ensure a watertight seal.
6. **Test for Leaks:** Once all connections are made, slowly turn on the main water supply. Check all connections for leaks. Operate the faucet to ensure proper water flow and temperature control.

Video 1: Installation overview of a BWE Bathroom Vessel Sink Faucet in Antique Copper. This video demonstrates the general process of installing the faucet and connecting the water lines.



Figure 2: The BWE faucet is designed for straightforward installation, threading easily in minutes without specialized tools.

7. OPERATING INSTRUCTIONS

The BWE Waterfall Vessel Sink Faucet features a single handle for convenient operation:

- **Water Flow:** Lift the handle upwards to turn on the water flow. The further you lift, the greater the flow.
- **Temperature Control:** Move the handle to the left for hot water and to the right for cold water. Adjust the handle position to achieve your desired water temperature.
- **Turn Off:** Push the handle downwards to turn off the water flow.

Bathroom Faucet Single Handle

Mix temp & control flow with one hand



Effortless
Adjustment



Precise
Temp Control



Easy
to Clean



Figure 3: The single handle allows for effortless and precise control over water temperature and flow.

Waterfall Bathroom Faucet



Saves
Water



No
splashing



Consistent
Flow



Filters
Debris



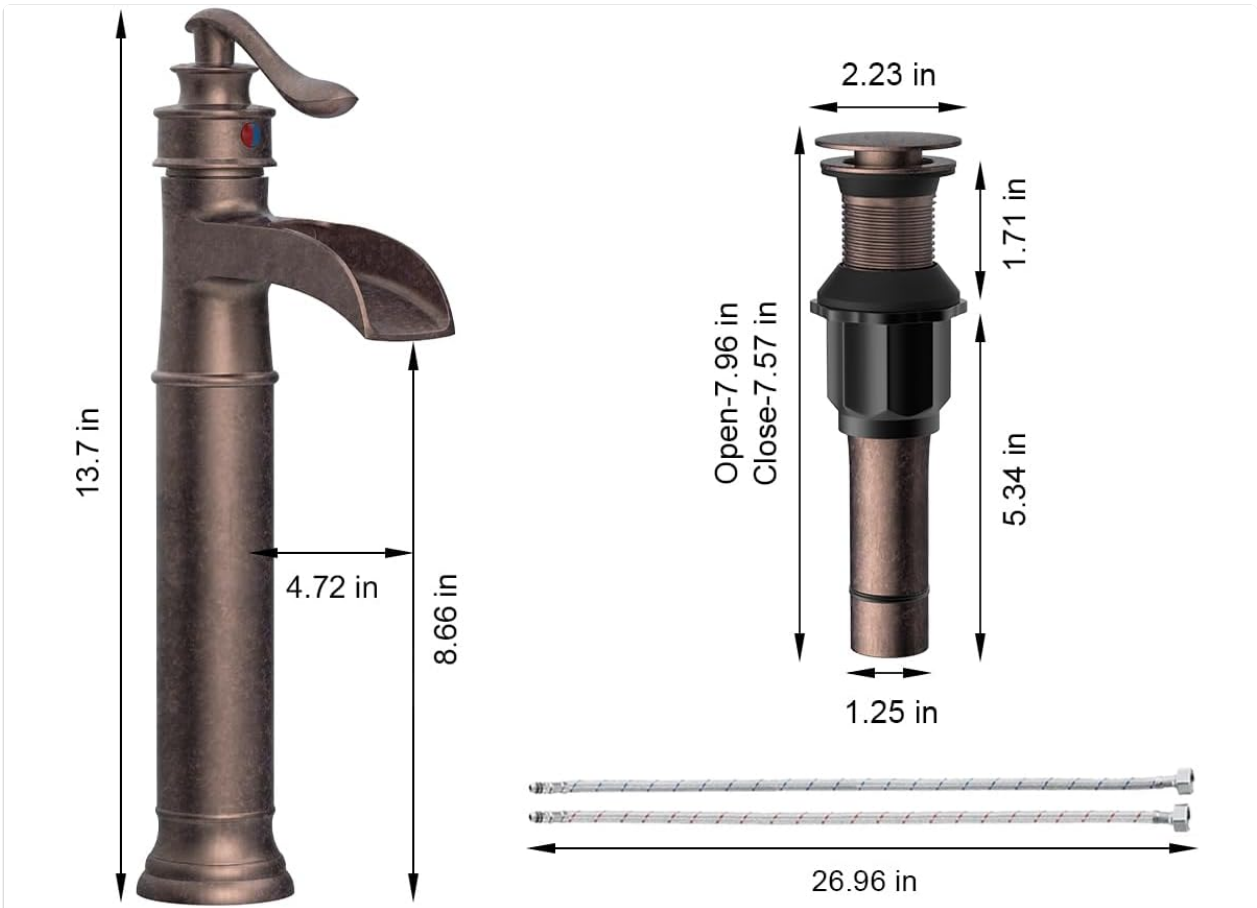
Figure 4: The waterfall design provides consistent, splash-free flow and includes a filter for debris.

8. MAINTENANCE AND CARE

To maintain the beauty and functionality of your BWE faucet, follow these care guidelines:

- **Regular Cleaning:** Clean the faucet regularly with a soft, damp cloth and mild soap. Avoid abrasive cleaners, harsh chemicals, or scouring pads, as these can damage the finish.
- **Avoid Harsh Chemicals:** Do not use cleaners containing ammonia, bleach, acids, or abrasive agents. These can corrode the finish and internal components.
- **Dry After Use:** Wipe the faucet dry after each use to prevent water spots and mineral buildup, especially in hard water areas.

- **Aerator Cleaning:** If water flow decreases, the aerator may be clogged. Unscrew the aerator from the spout, clean any debris, and rinse thoroughly before reattaching.



Will this faucet fit my sink?

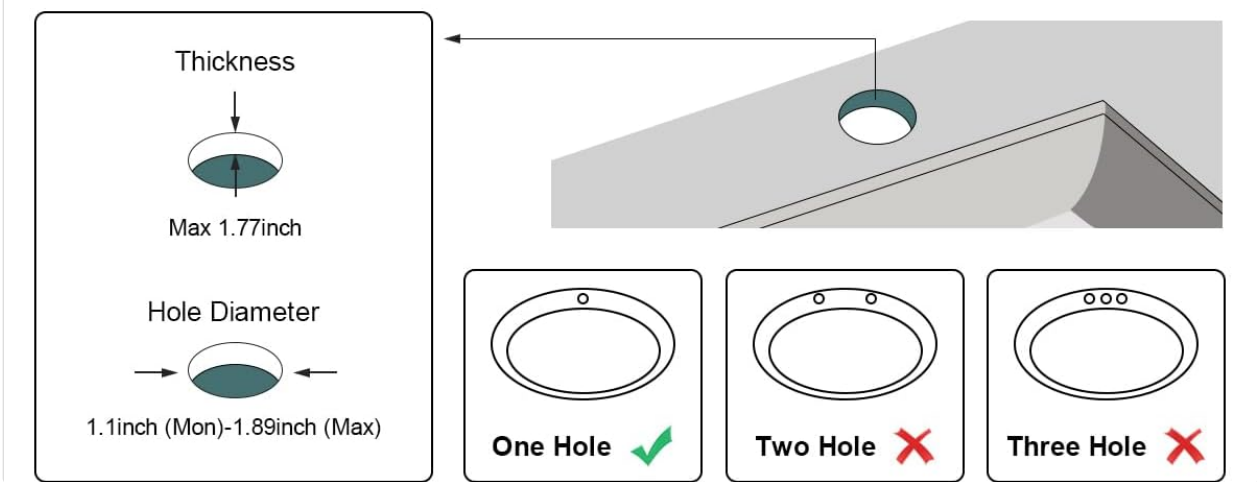


Figure 5: The faucet features a multi-layer nano coating and solid brass construction for rustproof, fingerprint-free, and leak-resistant performance.

9. TROUBLESHOOTING

If you encounter any issues with your faucet, refer to the following common problems and solutions:

Problem	Possible Cause	Solution
---------	----------------	----------

Low Water Flow	Clogged aerator or debris in supply lines.	Clean the aerator. Check and flush supply lines. Ensure angle stops are fully open.
Leaking from Faucet Base	Loose mounting nut or damaged gasket.	Tighten the mounting nut. Inspect and replace the gasket if damaged.
Leaking from Handle	Worn cartridge.	Replace the faucet cartridge.
Water Temperature Issues	Incorrect supply line connection or water heater setting.	Verify hot and cold lines are connected correctly. Check water heater temperature.

If the problem persists after attempting these solutions, please contact BWE customer support.

10. WARRANTY AND SUPPORT

BWE products are manufactured to high-quality standards and are backed by a manufacturer's warranty. For specific warranty details, product support, or to order replacement parts, please refer to the warranty card included with your purchase or visit the official BWE website.

For further assistance, please contact BWE customer service.