

FABER F-305.0557.691

Faber IN-NOVA SMART X A90 90cm Built-in Hood Instruction Manual

MODEL: F-305.0557.691

Brand: FABER

1. Introduction

Thank you for choosing the Faber IN-NOVA SMART X A90 Built-in Hood. This manual provides essential information for the safe and efficient installation, operation, and maintenance of your appliance. Please read these instructions carefully before use and keep them for future reference.

2. Safety Information

- Ensure the electrical installation complies with local regulations.
- Do not operate the hood without the grease filters installed.
- Regularly clean the hood and filters to prevent fire hazards.
- Do not flambé under the range hood.
- Keep children away from the appliance during operation and cleaning.
- Disconnect the appliance from the power supply before any maintenance or cleaning.

3. Product Description and Features

The Faber IN-NOVA SMART X A90 is a 90cm built-in extractor hood designed for seamless integration into your kitchen cabinetry. Its discreet and rational design, finished in stainless steel, ensures it blends perfectly with your kitchen aesthetics.

Key features include:

- **Finish:** Stainless steel

- **Controls:** Pull-out knob for easy operation
- **Lighting:** 2 LED lights for bright and energy-efficient illumination of the cooking area
- **Filters:** Self-supporting stainless steel grease filters, dishwasher safe for easy cleaning
- **Operation Modes:** Can be configured for extraction or filtering mode (optional carbon filters required for filtering mode, sold separately)
- **Suction Speeds:** 3 speeds
- **Maximum Suction Capacity:** 360 m³/h
- **Energy Class:** D

4. Installation

Installation should be performed by a qualified technician in accordance with all local building and electrical codes. Ensure adequate ventilation in the room.

Installation Steps:

1. Carefully unpack the hood and check for any damage.
2. Refer to the technical drawing for precise measurements and mounting points within your cabinet.
3. Prepare the cabinet opening according to the dimensions provided.
4. Mount the hood securely into the cabinet using appropriate fasteners.
5. Connect the ducting system for extraction or install the carbon filters for filtering mode.
6. Connect the electrical supply, ensuring proper grounding.

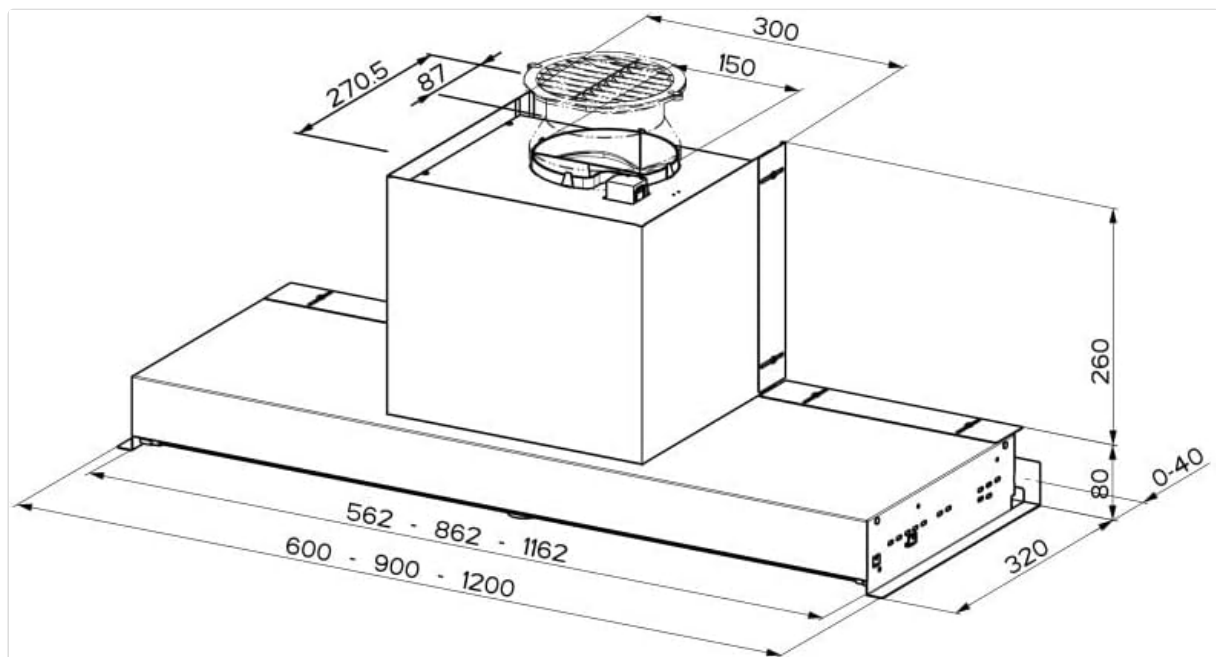


Figure 1: Technical drawing with dimensions for installation.



Figure 2: The Faber IN-NOVA SMART X A90 hood integrated into a kitchen cabinet.

5. Operation

The hood is operated using the pull-out knob controls located on the front panel.

- **Power On/Off:** Pull the knob to turn the hood on. Push it back in to turn it off.
- **Fan Speed Adjustment:** Rotate the knob to select one of the three available fan speeds.
- **Light Control:** The LED lights are controlled independently. Refer to the specific symbols on the control panel for light activation.

6. Maintenance

Regular maintenance ensures optimal performance and longevity of your hood.

Grease Filters:

- The stainless steel grease filters should be cleaned regularly, approximately every 2 months, or more frequently with heavy use.
- To remove, locate the release clips on each filter, press them, and pull the filter downwards.
- The filters are dishwasher safe. Use a mild detergent and a low-temperature cycle.
- Ensure filters are completely dry before re-installing.

Carbon Filters (for filtering mode only):

- If your hood is operating in filtering mode, the optional active carbon filters (F3 - 112.0067.944 or FLL3 -

112.0544.470) need to be replaced periodically.

- Replacement frequency depends on usage, typically every 3-6 months.
- Refer to the carbon filter packaging for specific replacement instructions.

General Cleaning:

- Clean the exterior surfaces of the hood with a soft cloth and a non-abrasive cleaner suitable for stainless steel.
- Do not use abrasive products, alcohol, or corrosive substances.



Figure 3: View of the hood's underside, highlighting the grease filters.

7. Troubleshooting

Before contacting customer support, please check the following common issues:

- **Hood not operating:** Ensure the appliance is properly plugged in and the circuit breaker has not tripped.
- **Low suction power:** Check if the grease filters are clean and properly installed. If using filtering mode, the carbon filters might need replacement. Ensure ducting is not obstructed.
- **Lights not working:** Check if the light switch is activated. If individual bulbs are replaceable, check their condition.
- **Lights not turning off:** Verify the glass panel is fully closed, as it may activate a switch for the lights.
- **Excessive noise:** Ensure all mounting screws are tight and the ducting is securely fitted. Check for any loose components or obstructions in the fan.

8. Specifications

Brand	FABER
Manufacturer	Faber
Model	F-305.0557.691
Product Dimensions	32 x 90 x 26 cm
Item Weight	8 kg
Material	Steel
Installation Type	Built-in
Lighting Type	LED
Additional Features	Grease Filter
Noise Level	57 Decibel
Voltage	240 V
Wattage	145 watts
Max Suction Capacity	360 m ³ /h
Max Pressure	290 Pa
Energy Class	D
Optional Carbon Filters	F3 (112.0067.944), FLL3 (112.0544.470)

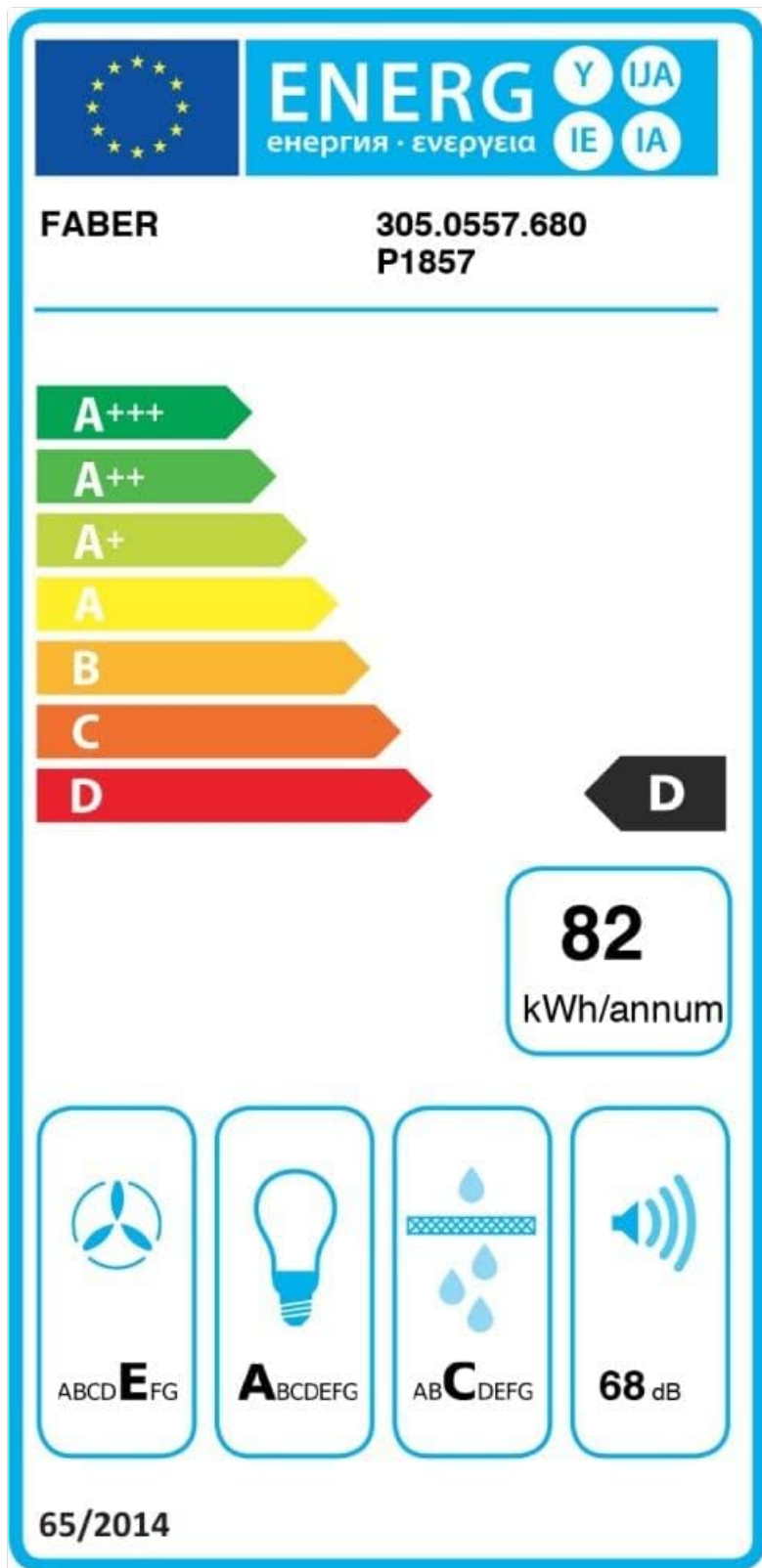


Figure 4: Energy Label for the Faber IN-NOVA SMART X A90.

9. Warranty and Support

Your Faber IN-NOVA SMART X A90 Built-in Hood comes with a manufacturer's warranty. Please refer to the warranty card included with your purchase for specific terms and conditions.

For technical assistance, spare parts, or warranty claims, please contact your local Faber authorized service center or the retailer where you purchased the product. Always provide the model number (F-305.0557.691) and serial number when seeking support.

