

EISL NI182SCR

EISL Speed NI182SCR Single-Lever Basin Mixer Tap

Instruction Manual

1. INTRODUCTION

This manual provides essential information for the safe and efficient installation, operation, and maintenance of your EISL Speed NI182SCR Single-Lever Basin Mixer Tap. Please read all instructions carefully before beginning installation or use. Retain this manual for future reference.

2. PRODUCT OVERVIEW

The EISL Speed NI182SCR is a chrome-plated single-lever basin mixer tap designed for kitchen use. It features a ceramic seal cartridge for durability and smooth operation, along with a 360-degree rotatable spout for enhanced flexibility.

Key Features:

- Single-lever basin mixer tap
- Chrome plated finish
- Equipped with a ceramic seal cartridge
- 360-degree swivel spout



Figure 2.1: Overview of the EISL Speed NI182SCR Single-Lever Basin Mixer Tap.



Figure 2.2: Included components for installation, including flexible connection hoses and the instruction manual.

3. SETUP AND INSTALLATION

The EISL Speed NI182SCR tap is designed for countertop, single-hole mounting. Ensure all necessary components are present before beginning installation.

Required Tools (Not Included):

- Adjustable wrench
- Screwdriver
- Sealant tape (PTFE tape)
- Bucket or towel for water spills

Installation Steps:

1. **Preparation:** Turn off the main water supply to prevent leaks. Clear the area under the sink.
2. **Remove Old Tap (if applicable):** Disconnect water lines and remove the mounting hardware of the existing tap.

3. **Mounting the Tap:** Insert the flexible connection hoses into the tap body. Place the tap into the single mounting hole on the countertop.
4. **Secure the Tap:** From underneath the sink, slide the rubber gasket, metal washer, and mounting nut onto the threaded rod. Tighten the nut securely to hold the tap in place.
5. **Connect Water Lines:** Connect the flexible hoses to the hot and cold water supply lines. Use sealant tape on the threads to ensure a watertight seal. The tap is suitable for instantaneous water heaters but not for low-pressure systems or small storage heaters.
6. **Test for Leaks:** Slowly turn on the main water supply and check all connections for leaks. Operate the tap to ensure proper water flow and temperature control.



Figure 3.1: The tap installed on a sink, showing its profile.

4. OPERATING INSTRUCTIONS

The EISL Speed NI182SCR tap features a single lever for controlling both water flow and temperature.

Water Flow Control:

- Lift the lever upwards to increase water flow.

- Push the lever downwards to decrease or stop water flow.

Temperature Control:

- Move the lever to the left for hot water.
- Move the lever to the right for cold water.
- Adjust the lever position between left and right to achieve the desired water temperature.

Spout Rotation:

The tap's spout can be rotated 360 degrees, allowing for flexible use across different sink compartments or for moving the spout out of the way when not in use.



Figure 4.1: The tap's spout demonstrating its 360-degree rotation capability.



Figure 4.2: The tap in operation, showing a steady water stream.

5. MAINTENANCE

Regular cleaning and maintenance will ensure the longevity and optimal performance of your tap.

Cleaning the Tap:

- Clean the chrome surface regularly with a soft cloth and mild soap or a non-abrasive cleaner specifically designed for chrome finishes.
- Avoid using abrasive cleaners, scouring pads, or harsh chemicals, as these can damage the chrome finish.
- Rinse thoroughly with clean water after cleaning and dry with a soft cloth to prevent water spots.

Aerator Maintenance:

Periodically unscrew the aerator at the tip of the spout and clean any mineral deposits or debris. This helps maintain consistent water flow.

Ceramic Cartridge:

The ceramic cartridge is designed for long-lasting, drip-free performance. If leaks occur from the handle or the tap drips, the cartridge may need to be replaced. Consult a qualified plumber for cartridge replacement.

6. TROUBLESHOOTING

Refer to the following table for common issues and their solutions.

Problem	Possible Cause	Solution
Low water flow	Clogged aerator; partially closed stopcock; low water pressure	Clean aerator; ensure stopcocks are fully open; check household water pressure
Leaking from spout	Worn ceramic cartridge	Replace ceramic cartridge (professional assistance recommended)
Leaking from base of tap	Loose mounting nut; worn O-rings	Tighten mounting nut; replace O-rings (professional assistance recommended)
Water temperature inconsistent	Faulty ceramic cartridge; issues with water heater	Replace ceramic cartridge; consult water heater manual or professional

7. SPECIFICATIONS

Feature	Detail
Model Number	NI182SCR
Brand	EISL
Product Dimensions	25 x 4.5 x 15 cm
Item Weight	840 grams
Color	Chrome
Material	Metal (Handle Material: Brass)
Finish Type	Chrome
Installation Type	Countertop Mount, Single Hole
Number of Handles	1 (Lever Handle)
Valve Type	Cartridge Valve (Ceramic)
Special Features	360 Degree Rotation, Swivel Faucet Design
Recommended Uses	Kitchen
Faucet Height	120 mm
Faucet Reach	210 mm
Hose Length	400 mm

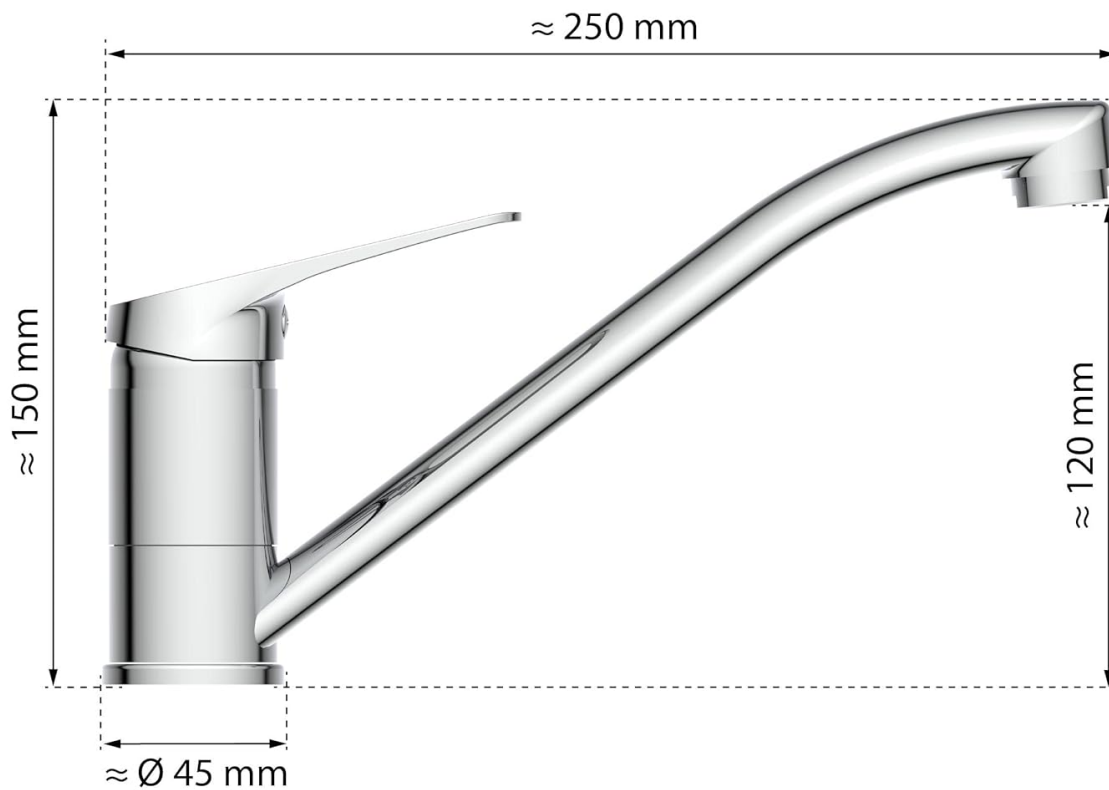


Figure 7.1: Dimensional drawing of the EISL Speed NI182SCR tap.

8. WARRANTY INFORMATION

Specific warranty details are not provided in the product data. Please refer to the manufacturer's official website or contact their customer service for information regarding warranty coverage and terms.

9. SUPPORT

For further assistance, technical support, or to inquire about replacement parts, please contact EISL customer service. Contact information can typically be found on the product packaging or the official EISL website.