

[Manuals.plus](#) /

› [Pilestone](#) /

› Pilestone TP-012 Lens A Color Blind Glasses User Manual

Pilestone PT-1645

Pilestone TP-012 Lens A Color Blind Glasses User Manual

Brand: **Pilestone** | Model: **PT-1645**

1. PRODUCT OVERVIEW

The Pilestone TP-012 Lens A Color Blind Glasses are specifically engineered to enhance color perception for individuals with mild to moderate red-green color blindness. Featuring titanium coated lenses and 100% UV protection, these glasses are suitable for various environments, both indoors and outdoors. This manual provides essential information to help you understand, use, and maintain your new color-enhancing eyewear.



Figure 1: Top-down view of the Pilestone TP-012 glasses, showcasing the black frame and reflective lenses.

2. KEY FEATURES

- **Targeted Enhancement:** Specifically designed for individuals with mild to moderate red-green color blindness.
- **Durable Construction:** Features titanium coated lenses for enhanced durability.
- **UV Protection:** Provides 100% UV protection, safeguarding your eyes from harmful rays.
- **Versatile Use:** Suitable for both indoor and outdoor environments.
- **Lens Technology:** Utilizes advanced lens technology to help differentiate between red and green hues.

3. SETUP AND OPERATING INSTRUCTIONS

Your Pilestone TP-012 glasses are ready for use right out of the box. Simply place them on your face as you would any standard pair of eyeglasses.

3.1 Understanding Your Glasses:

Colorblindness is not a uniform condition; it is caused by mutations in the color sensing transmembrane proteins located on the cone cells in your retina. This mutation might occur in different cone cells, or in different amino acid residues in a protein of the same cone cells. In other words, the disabled spectrum windows and the severity may be totally different from person to person. Our glasses are universally designed to address common conditions.



Figure 2: Pilestone's Exclusive Lens Selection System illustrates different types of color blindness and corresponding lens types.

3.2 Initial Experience and Adjustment:

Different individuals may have different experiences with the same pair of glasses. There is a 10-15% chance that these glasses may not work for some users, even if they select the suggested lens type based on a colorblind test. It is recommended to wear the glasses for a few weeks before expecting to notice a significant difference, as the effect can be subtle initially. Allow your eyes to adjust to the new color perception.

INFORMATION



BRAND : PILESTONE | MODEL : TP-012
FRAME MATERIAL : TR-90 | LENS MATERIAL : Resin
PRODUCT TYPE : Type A Brown Lens Colorblind Glasses

Size Guide :



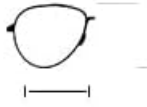


FRAME WIDTH	LENS HEIGHT	LENS WIDTH	BRIDGE WIDTH	TEMPLE LENGTH
				
123mm	32mm	53mm	13mm	143mm

Figure 3: Detailed product information and size guide for the Pilestone TP-012 glasses, including frame material (TR-90) and lens material (Resin).



Figure 4: Side view of the Pilestone TP-012 glasses, showing the sleek design of the temple arms.

4. SPECIFICATIONS

Brand	Pilestone
Model Number	PT-1645
Lens Type	Lens A (for Mild/Moderate Red/Green Color Blindness)
Lens Material	Resin
Frame Material	TR-90
Coating	Titanium Coated
UV Protection	100% UV Protection
Package Dimensions	6.2 x 2.4 x 1.4 inches
Item Weight	5.61 ounces

5. CARE AND MAINTENANCE

To ensure the longevity and effectiveness of your Pilestone color blind glasses, follow these simple maintenance guidelines:

- **Cleaning:** Use a soft, lint-free cloth and a specialized eyeglass cleaning solution. Avoid using paper towels or rough materials, as they can scratch the lenses.

- **Storage:** When not in use, store your glasses in the provided protective case to prevent scratches and damage.
- **Handling:** Always handle the glasses by the frame, not by the lenses, to avoid smudges and potential damage.
- **Avoid Extreme Temperatures:** Do not expose the glasses to extreme heat or cold, as this can damage the frame and lens coatings.

6. TROUBLESHOOTING AND EXPECTATIONS

Glasses Not Working / No Noticeable Difference:

- **Adjustment Period:** As mentioned, the effect can be subtle. Continue wearing the glasses consistently for a few weeks to allow your brain and eyes to adapt.
- **Severity of Color Blindness:** These glasses are designed for mild to moderate red-green color blindness. For severe cases, the effect might be minimal or non-existent.
- **Individual Variation:** Due to the unique nature of color blindness, there is a small chance (10-15%) that the glasses may not work for certain individuals.
- **Lighting Conditions:** Ensure you are using the glasses in appropriate lighting conditions. Optimal results are often observed in natural daylight.

Discomfort or Fit Issues:

- **Adjusting the Frame:** If the fit is uncomfortable, a professional optician may be able to make minor adjustments to the frame for better comfort.

7. WARRANTY AND SUPPORT

Pilestone offers a **60-DAY FREE RETURN** policy in the US for any reason. If you are not satisfied with your purchase, you may return the glasses within this period. Orders returned out of the granted period will not be accepted.

For further assistance or inquiries, please refer to the Pilestone official website or contact their customer support.