



[Manuals.plus](#) /

› [Jarvis](#) /

› Fully Jarvis Standing Desk User Manual

Jarvis 60" x 30" Bamboo Top (Rectangle, Black Frame)

Fully Jarvis Standing Desk User Manual

Model: 60" x 30" Bamboo Top (Rectangle, Black Frame)

1. IMPORTANT SAFETY INFORMATION

Please ensure all boxes have arrived before starting assembly. Follow the included assembly instructions carefully to avoid injury. Keep the workspace clear and use appropriate tools for assembly. Do not attempt to lift or move the desk until fully assembled.

2. PACKAGE CONTENTS

Your Fully Jarvis Standing Desk will arrive in three separate boxes, which may be delivered on different days. It is crucial to verify that all boxes have arrived before beginning the assembly process. You can check the tracking status on the FedEx website for each box.

Fully Jarvis desks arrive in three boxes, possibly over multiple days.

A box missing? Enter the tracking into the FedEx site to find out when it will arrive.



The package includes the following main components:

- Jarvis Desk Top (Bamboo, 60" x 30")
- Jarvis Desk Frame (Black)
- Handset with Memory Preset Controller
- 2 Desktop Grommets for cable management



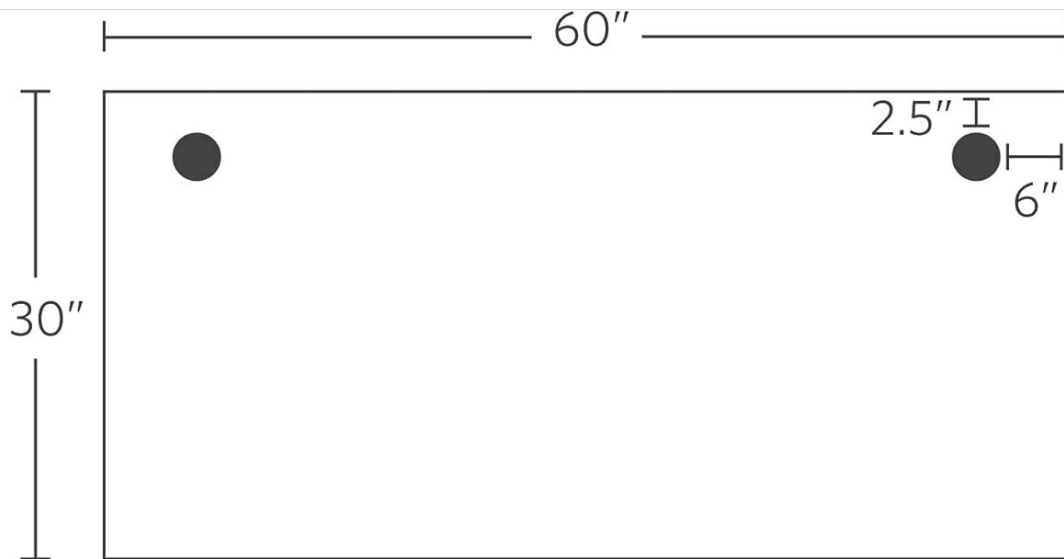
The two desktop grommets are designed to help organize and route cables through the desk surface, maintaining a tidy workspace.

3. SETUP AND ASSEMBLY

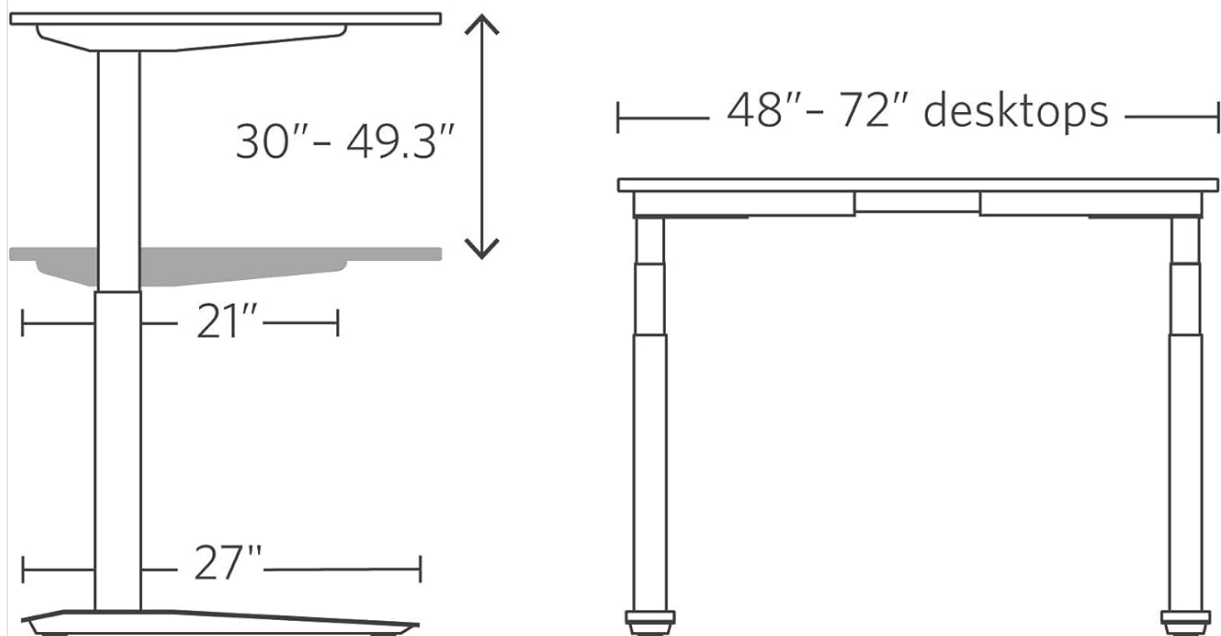
Assembly of the Fully Jarvis Standing Desk is straightforward but requires careful attention to detail. An official installation manual in PDF format is available for download to guide you through each step.



It is recommended to lay out all components and identify them before starting. Some users find it helpful to watch assembly videos available online as a visual aid, in addition to following the written instructions.



2-stage



Ensure you have adequate space for assembly and that the desk is placed on a flat, stable surface during the process. While the desk is designed for easy assembly, having a second person to assist with lifting and positioning the heavier components, such as the desktop, can be beneficial.

For detailed step-by-step instructions, please refer to the official installation manual:

[Download Installation Manual
\(PDF\)](#)

4. OPERATING INSTRUCTIONS

4.1. Height Adjustment

The Fully Jarvis Standing Desk features an electric lift system that allows for smooth and quiet height adjustments. The desk can be adjusted from a minimum height of 30 inches to a maximum height of 49.3 inches (including the desktop). This range accommodates most users between 5'10" and 6'9" tall.



To adjust the height, use the up (▲) and down (▼) arrow buttons on the handset controller. The current height will be displayed on the digital screen.

4.2. Memory Presets

The handset controller includes four customizable memory presets, allowing you to save your preferred sitting and standing heights for quick and convenient adjustment. This feature enables a rapid 1.3 inches per second height adjustment.

- **To Save a Preset:** Adjust the desk to your desired height. Press the 'M' button, then press one of the numbered preset buttons (1, 2, 3, or 4) within a few seconds. The height will be saved to that number.
- **To Use a Preset:** Simply press the corresponding numbered button (1, 2, 3, or 4), and the desk will automatically move to the saved height.

The desk has a robust lifting capacity of 350 pounds, ensuring stability even with multiple monitors and office equipment.

5. MAINTENANCE

5.1. Cleaning the Desktop

The eco-friendly solid bamboo desktop is designed for easy cleaning. For general cleaning, wipe the surface with a soft, damp cloth. For more stubborn marks, a mild soap solution can be used, followed by wiping with a clean, dry

cloth. Avoid abrasive cleaners or harsh chemicals that could damage the bamboo finish.



5.2. Frame Care

The sturdy steel base and legs are built for durability and stability. To clean the frame, use a soft, dry cloth. If necessary, a slightly damp cloth can be used, but ensure the frame is dried immediately to prevent rust or damage. Regularly check all screws and bolts to ensure they remain tight, especially after initial assembly and during the first few weeks of use.

6. TROUBLESHOOTING

If you encounter any issues with your Jarvis Standing Desk, please refer to the following common troubleshooting steps:

Problem	Possible Cause	Solution
Desk does not move	Power cable disconnected; Overload; Safety stop engaged	Check power connections. Reduce weight on desk. Unplug for 10 seconds, then plug back in to reset.
Uneven height adjustment	Obstruction; Unbalanced load	Clear any obstructions. Redistribute weight evenly on the desktop.
Memory presets not working	Presets not properly saved	Re-save your desired heights following the instructions in Section 4.2.
Unusual noises during operation	Loose components; Motor issue	Check all assembly bolts and tighten if loose. If noise persists, contact customer support.

For more complex issues or if the problem persists after attempting these solutions, please refer to the full

installation manual or contact Jarvis customer support.

7. SPECIFICATIONS

Feature	Detail
Brand	Jarvis
Product Dimensions	30"D x 60"W x 30"H
Color	Black (Frame), Bamboo (Top)
Style	Modern
Base Material	Alloy Steel
Top Material Type	Wood (Bamboo)
Special Feature	Electric Adjustable Height
Room Type	Office
Mounting Type	Freestanding
Included Components	2 Desktop Grommets
Manufacturer	Fully
Required Assembly	Yes
Maximum Weight Recommendation	350 Pounds
Shape	Rectangular
Tabletop Thickness	1 Inches
Minimum Height	30 Inches
Maximum Height	49.3 Inches

8. WARRANTY AND SUPPORT

8.1. Warranty Information

The Fully Jarvis Standing Desk comes with an industry-leading limited warranty. For specific details regarding the coverage period and terms, please refer to the warranty documentation included with your product or visit the official Jarvis website.

8.2. Customer Support

For any questions, technical assistance, or support needs, please visit the official Jarvis store or contact their customer service team. They can provide further guidance on assembly, operation, troubleshooting, and warranty claims.

Visit the Jarvis
Store