



Manuals.plus /

› [vidaXL /](#)

› [vidaXL Extendable Dining Table Black Gloss Model 243549 User Manual](#)

## vidaXL 243549

# vidaXL Extendable Dining Table Black Gloss Model 243549 User Manual

Model: 243549

[Introduction](#)

[Safety Information](#)

[Setup](#)

[Operating](#)

[Maintenance](#)

[Troubleshooting](#)

[Specifications](#)

[Warranty](#)

[& Support](#)

## 1. INTRODUCTION

This manual provides detailed instructions for the assembly, operation, maintenance, and troubleshooting of your vidaXL Extendable Dining Table Black Gloss, Model 243549. Please read this manual carefully before assembly and use to ensure proper function and longevity of your product. Keep this manual for future reference.

## 2. SAFETY INFORMATION

- Always assemble the table on a soft, clean surface to prevent scratches.
- Ensure all screws and fasteners are securely tightened before use. Periodically check and re-tighten as necessary.
- Do not stand or sit on the table.
- Keep small parts and packaging materials away from children to prevent choking hazards.
- Use caution when extending or retracting the table to avoid pinching fingers.
- Do not place excessively hot or cold items directly on the table surface without protection.

## 3. SETUP AND ASSEMBLY

Assembly of the vidaXL Extendable Dining Table is designed to be straightforward. It is recommended that two adults perform the assembly. Please ensure all components are present before beginning.

### 3.1 Package Contents

Verify that all parts listed in the included assembly diagram (not provided in this manual) are present. Typically, the

package includes:

- Tabletop sections (main and extension leaf)
- Table base/pedestal components
- Hardware pack (screws, dowels, connectors)
- Assembly tools (e.g., Allen key), if required and included

### 3.2 Assembly Steps

1. **Unpack Components:** Carefully remove all parts from the packaging. Place them on a soft, clean surface to prevent damage to the high-gloss finish.
2. **Assemble the Base:** Follow the specific instructions in your included assembly diagram to connect the base components. Ensure all connections are firm.
3. **Attach Tabletop:** Secure the main tabletop sections to the assembled base. Pay attention to the orientation for the extension mechanism.
4. **Integrate Extension Mechanism:** Install the extension mechanism and the hidden leaf as per the diagram. This typically involves sliding rails and securing the leaf within the table structure.
5. **Final Tightening:** Once all parts are in place, gently tighten all screws and bolts. Do not overtighten.



Figure 3.2.1: View of the table's internal extension mechanism.

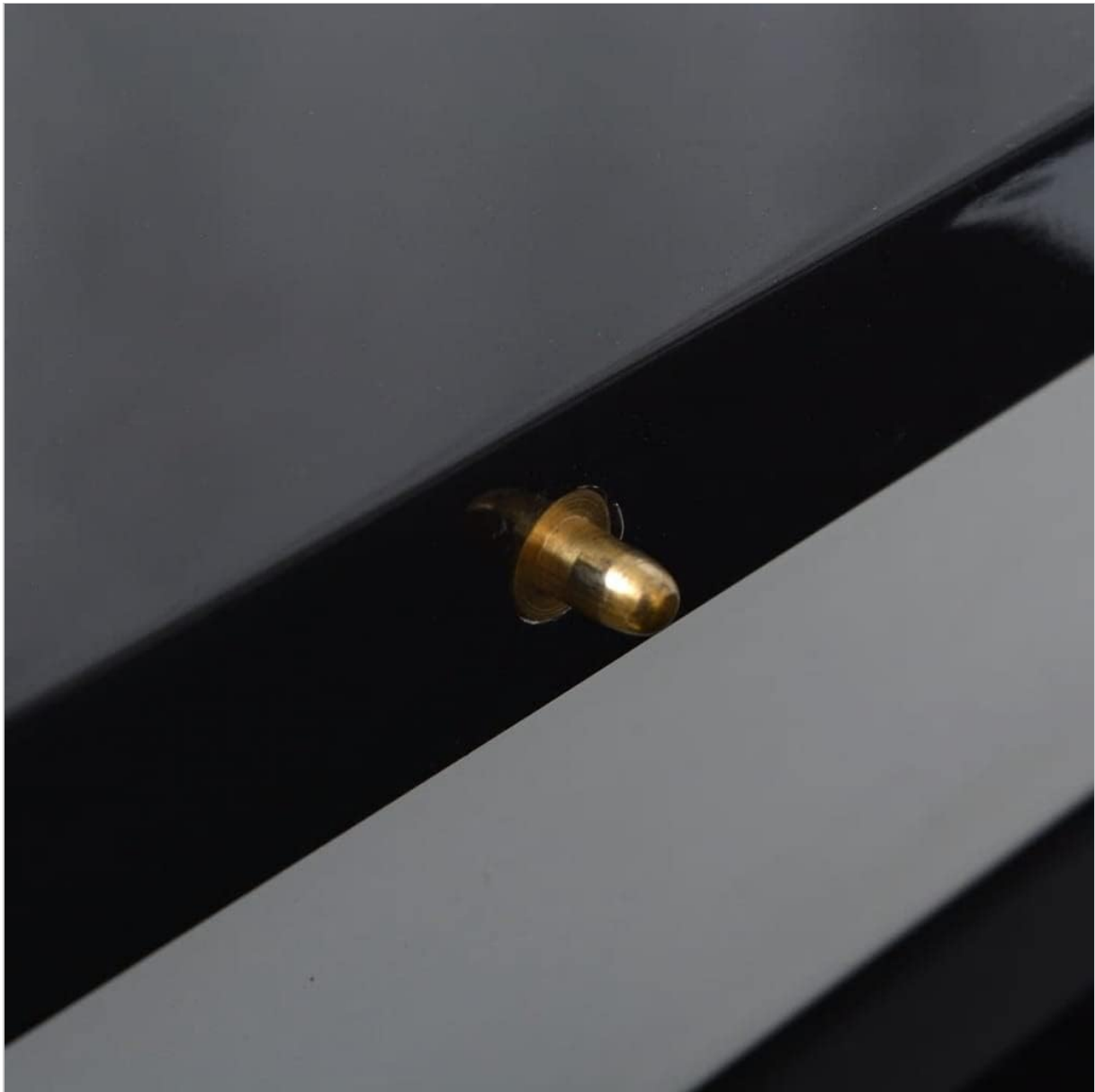


Figure 3.2.2: Detail of an alignment pin used to secure table sections.

## 4. OPERATING THE EXTENDABLE FEATURE

---

Your vidaXL dining table features an extendable design, allowing you to adjust its length for different needs. Always operate the extension mechanism smoothly and with care.

### 4.1 Extending the Table

1. **Unlock (if applicable):** If your table has locking mechanisms, release them.
2. **Separate Tabletop Halves:** Gently pull the two main tabletop halves apart. The extension leaf is typically stored underneath or within the table structure.
3. **Lift and Position Leaf:** Lift the hidden extension leaf and position it between the two main tabletop halves. Ensure it sits flush and securely.
4. **Close Tabletop:** Push the two main tabletop halves back together until they meet the extension leaf and are flush.
5. **Lock (if applicable):** Engage any locking mechanisms to secure the table in its extended position.

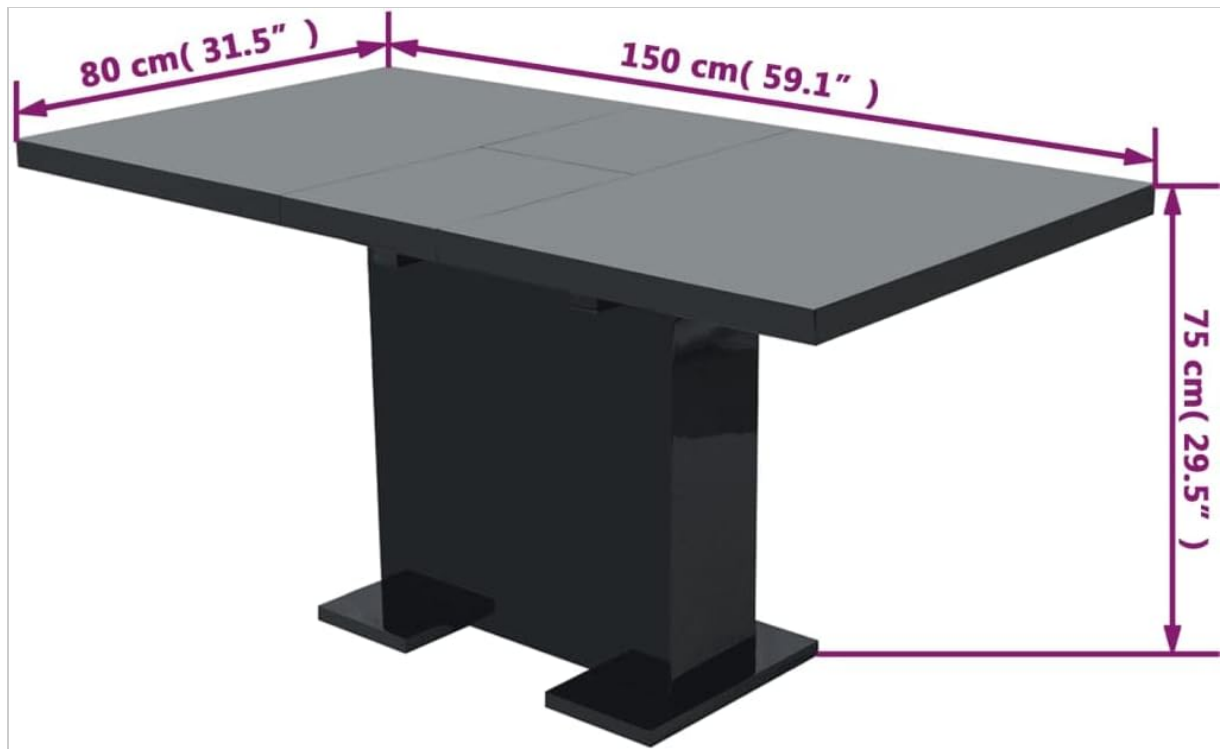


Figure 4.1.1: The dining table in its extended state (150 cm / 59.1 inches long).

## 4.2 Retracting the Table

1. **Unlock (if applicable):** Release any locking mechanisms.
2. **Separate Tabletop Halves:** Gently pull the two main tabletop halves apart.
3. **Fold/Store Leaf:** Carefully fold or lower the extension leaf back into its storage position beneath the table.
4. **Close Tabletop:** Push the two main tabletop halves back together until they meet and form the compact table.
5. **Lock (if applicable):** Engage any locking mechanisms to secure the table in its retracted position.

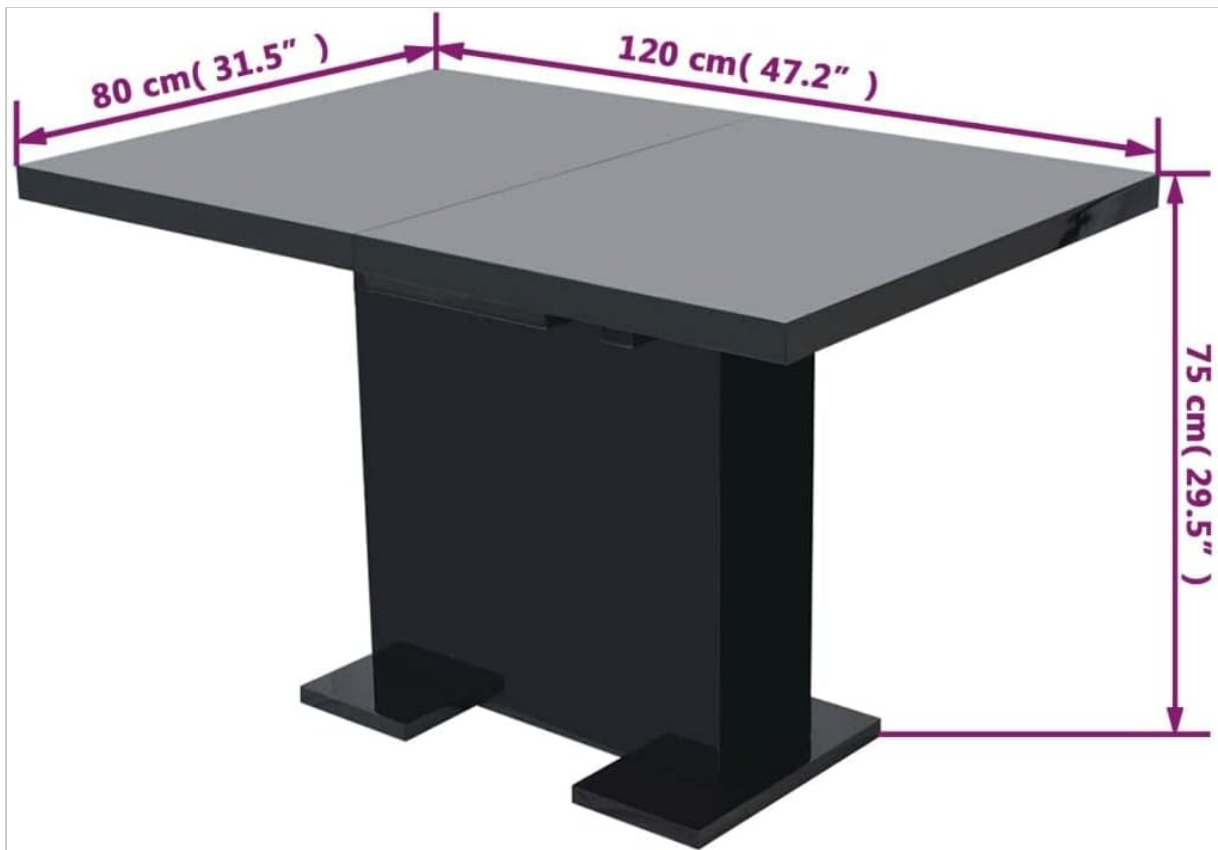


Figure 4.2.1: The dining table in its folded state (120 cm / 47.2 inches long).

## 5. MAINTENANCE AND CARE

Proper care will help maintain the appearance and extend the lifespan of your dining table.

- **Cleaning:** Wipe the table surface with a damp cloth. For stubborn marks, use a mild, non-abrasive cleaner specifically designed for high-gloss finishes. Avoid harsh chemicals or abrasive cleaning pads.
- **Spills:** Clean spills immediately to prevent staining or damage to the finish.
- **Protection:** Use placemats, coasters, and trivets to protect the surface from heat, moisture, and scratches.
- **Sunlight:** Avoid prolonged exposure to direct sunlight, which can cause fading or discoloration over time.
- **Hardware:** Periodically check all screws and fittings to ensure they remain tight. Re-tighten as needed.

## 6. TROUBLESHOOTING

If you encounter issues with your dining table, refer to the following common problems and solutions:

Problem	Possible Cause	Solution
Table feels wobbly or unstable.	Loose fasteners; uneven floor.	Check and tighten all assembly screws. Ensure the table is on a level surface; use furniture pads if necessary.
Extension mechanism is stiff or difficult to operate.	Dust/debris in tracks; misaligned parts.	Clean the extension tracks. Ensure the tabletop halves are aligned correctly before attempting to extend/retract. Do not force the mechanism.
Surface scratches or marks appear easily.	High-gloss surfaces are prone to showing marks.	Use placemats, coasters, and avoid dragging objects across the surface. Handle with care. Minor scratches may be reduced with specialized polish for high-gloss furniture.

## 7. PRODUCT SPECIFICATIONS

Feature	Detail
Brand	vidaXL
Model Number	243549
Color	Black
Finish Type	Gloss
Material	MDF (Medium-Density Fibreboard) and Steel
Dimensions (Folded)	120 cm (L) x 80 cm (W) x 75 cm (H) / 47.24" (L) x 31.5" (W) x 29.53" (H)
Dimensions (Unfolded)	150 cm (L) x 80 cm (W) x 75 cm (H) / 59.06" (L) x 31.5" (W) x 29.53" (H)
Item Weight	57 Kilograms (approx. 125.6 lbs)
Assembly Required	Yes

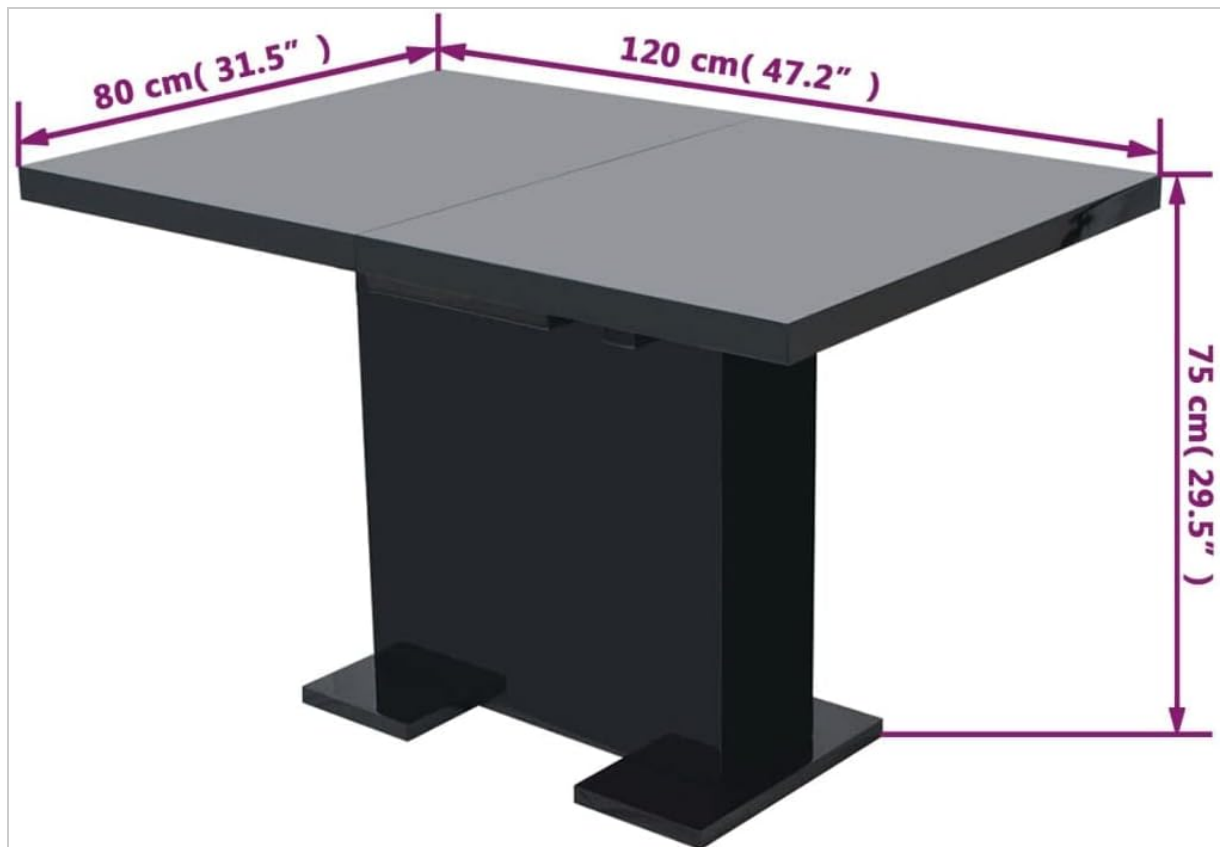


Figure 7.1.1: Folded table dimensions.

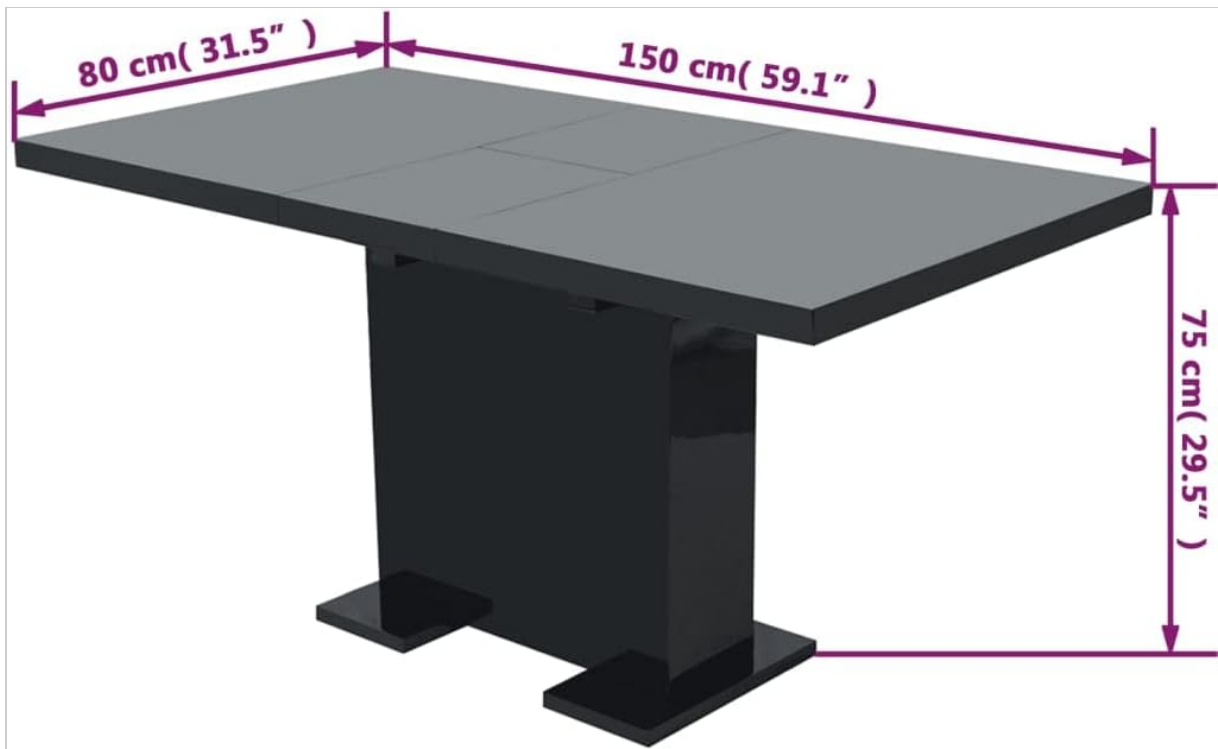


Figure 7.1.2: Extended table dimensions.

## 8. WARRANTY AND SUPPORT

For information regarding product warranty, please refer to the documentation provided at the time of purchase or contact your retailer directly. Specific warranty terms may vary by region and retailer.

If you require technical assistance, replacement parts, or have questions not covered in this manual, please contact the retailer from whom you purchased the product or visit the official vidaXL website for customer support options.