

[Manuals.plus](#) /

> [GROHE](#) /

> GROHE New Tempesta 20 cm Chrome Head Shower (Model 27541001) User Manual

GROHE 27541001

GROHE New Tempesta 20 cm Chrome Head Shower (Model 27541001)

User Manual

INTRODUCTION

Thank you for choosing the GROHE New Tempesta 20 cm Chrome Head Shower. This manual provides essential information for the safe and efficient installation, operation, and maintenance of your new shower head. Please read these instructions carefully before installation and retain them for future reference.





Image: The GROHE New Tempesta 20 cm Chrome Head Shower, showcasing its polished chrome finish and spray nozzles.

SETUP AND INSTALLATION

This section outlines the steps for installing your GROHE New Tempesta head shower. Ensure all necessary tools and components are available before beginning.

Required Tools and Components:

- Adjustable wrench or spanner
- Thread seal tape (PTFE tape)
- Soft cloth
- The GROHE New Tempesta Head Shower

- Existing shower arm with G 1/2" connection thread

Installation Steps:

1. **Prepare the Shower Arm:** Ensure your existing shower arm is clean and free of debris. Wrap thread seal tape (PTFE tape) clockwise around the threads of the shower arm to ensure a watertight seal.
2. **Attach the Head Shower:** Carefully screw the GROHE New Tempesta head shower onto the threaded end of the shower arm. The connection thread is G 1/2".
3. **Tighten Securely:** Hand-tighten the shower head until snug. Then, use an adjustable wrench or spanner to gently tighten it further, ensuring not to overtighten. Use a soft cloth between the wrench and the shower head to prevent scratching the chrome finish.
4. **Check for Leaks:** Turn on the water supply and check for any leaks around the connection point. If leaks occur, tighten slightly more or reapply thread seal tape.

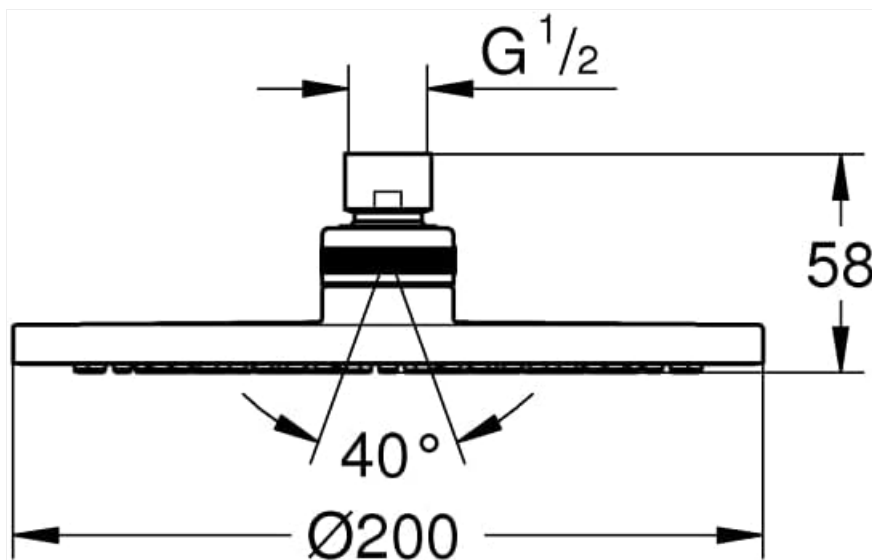


Image: Technical drawing illustrating the dimensions and G 1/2" connection thread of the GROHE New Tempesta head shower. The diameter is 200mm (20 cm) and the connection thread is G 1/2".



Image: A close-up view of the G 1/2" connection point on the GROHE New Tempesta head shower, showing the threaded inlet.

OPERATING INSTRUCTIONS

Your GROHE New Tempesta head shower is designed for ease of use and provides a consistent showering experience.

Spray Pattern:

- The shower head features a **Rain spray pattern**, designed to provide a soft and even water distribution for a relaxing shower.

Adjusting the Shower Head:

- The head shower is equipped with a **ball joint** that allows for a swivel angle of **± 20 degrees**. This enables you to easily adjust the angle of the water spray to your preference.



Image: The GROHE New Tempesta head shower, highlighting the arrangement of nozzles that produce the Rain spray pattern.

MAINTENANCE

Proper care and maintenance will ensure the longevity and optimal performance of your GROHE New Tempesta head shower.

Cleaning the Chrome Finish:

- To maintain the polished chrome finish, clean regularly with a soft cloth and a mild, non-abrasive cleaning agent.
- Avoid using harsh chemicals, abrasive cleaners, scouring pads, or solvents, as these can damage the

chrome surface.

- Rinse thoroughly with clean water after cleaning and dry with a soft cloth to prevent water spots.

Cleaning the Spray Nozzles:

- The spray nozzles are designed to be easy to clean. Periodically rub the flexible silicone nozzles to dislodge any limescale or mineral deposits.
- For stubborn deposits, a solution of water and white vinegar (1:1 ratio) can be applied with a soft cloth, left for a few minutes, then rinsed off.

TROUBLESHOOTING

If you encounter any issues with your GROHE New Tempesta head shower, refer to the common problems and solutions below.

Low Water Flow:

- **Cause:** Limescale buildup in the nozzles or a partially closed water supply valve.
- **Solution:** Clean the spray nozzles as described in the Maintenance section. Ensure the main water supply valve to your shower is fully open.

Uneven Spray Pattern:

- **Cause:** Blocked or partially blocked nozzles.
- **Solution:** Rub the flexible silicone nozzles to clear any blockages.

Leaking at Connection Point:

- **Cause:** Insufficiently tightened connection or worn thread seal tape.
- **Solution:** Ensure the shower head is securely tightened to the shower arm. If the leak persists, unscrew the shower head, reapply fresh thread seal tape, and reattach.

SPECIFICATIONS

Detailed technical specifications for the GROHE New Tempesta 20 cm Chrome Head Shower (Model 27541001).

Feature	Specification
Brand	GROHE
Model Number	27541001
Style	Modern
Shape	Round
Material	Brass, Chrome
Finish Type	Polished Chrome
Connection Thread	G 1/2"

Feature	Specification
Swivel Angle	± 20 degrees (ball joint)
Spray Pattern	Rain
Diameter	20 cm (200 mm)

WARRANTY AND SUPPORT

For information regarding warranty coverage, product registration, or technical support, please refer to the official GROHE website or contact GROHE customer service directly. Keep your proof of purchase for warranty claims.

GROHE Official Website: www.grohe.com