

[Manuals.plus](#) /

> [VASAGLE](#) /

> VASAGLE Bathroom Space Saver Unit, Model UBBC11BR Instruction Manual

## VASAGLE UBBC11BR

# VASAGLE Bathroom Space Saver Unit, Model UBBC11BR

Over-The-Toilet Storage Rack, 3-Tier Shelf Organizer

## INTRODUCTION

This manual provides detailed instructions for the assembly, operation, and maintenance of your VASAGLE Bathroom Space Saver Unit, Model UBBC11BR. This 3-tier over-the-toilet storage rack is designed to maximize space in your bathroom, offering convenient storage for toiletries, towels, and other essentials.



Image: The VASAGLE UBBC11BR unit installed in a bathroom, showcasing its storage capacity above a toilet.

## SAFETY INFORMATION

---

- The product **must be attached to the wall** with the included anti-tip kit before use to prevent accidental tipping.
- Keep the product in a dry, non-humid area to maintain its structural integrity and appearance.
- Children should **not climb on or play near the product**. Ensure the unit is stable and secured to the wall, especially in households with children.
- Do not exceed the maximum load capacity of **33.1 lb (15 kg)** for the entire unit. Distribute weight evenly across the shelves.

## PACKAGE CONTENTS

---

Before assembly, verify that all components listed below are present and undamaged.

- 1 x Over-The-Toilet Storage Rack (disassembled components)
- 1 x Accessories Kit (hardware, screws, anti-tip kit)
- 1 x Instructions Manual (this document)

## SETUP AND ASSEMBLY INSTRUCTIONS

---

Assembly typically requires two people. Follow these steps carefully for proper installation.

1. **Unpack and Identify Components:** Carefully remove all parts from the packaging. Lay them out on a clean, soft surface to prevent scratches. Refer to the included accessories kit diagram to identify each piece of hardware.



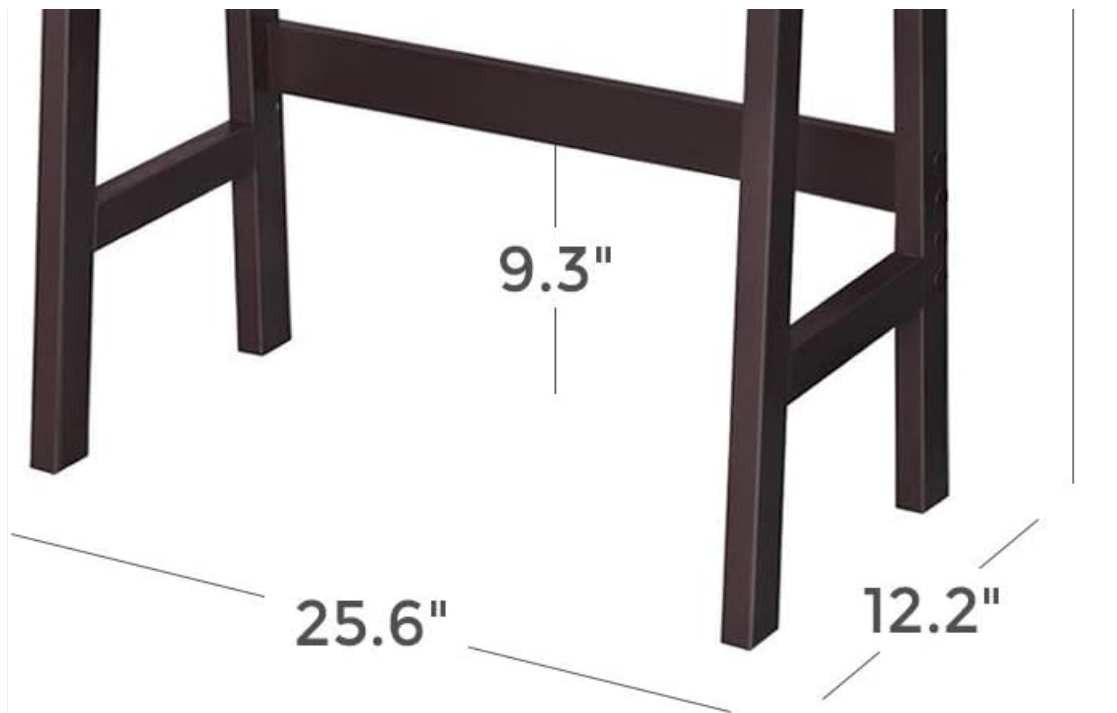


Image: Close-up of the unit's construction and hardware details.

2. **Assemble the Frame:** Connect the main vertical support pieces according to the diagram in your printed instructions. Ensure all screws are tightened securely but do not overtighten.
3. **Install Shelves:** Attach the three shelves to the frame. Pay attention to the orientation of each shelf as indicated in the instructions.
4. **Adjust Bottom Bar:** The bottom bar of the unit is adjustable to accommodate various toilet pipe configurations. Adjust its position as needed to fit over your toilet.

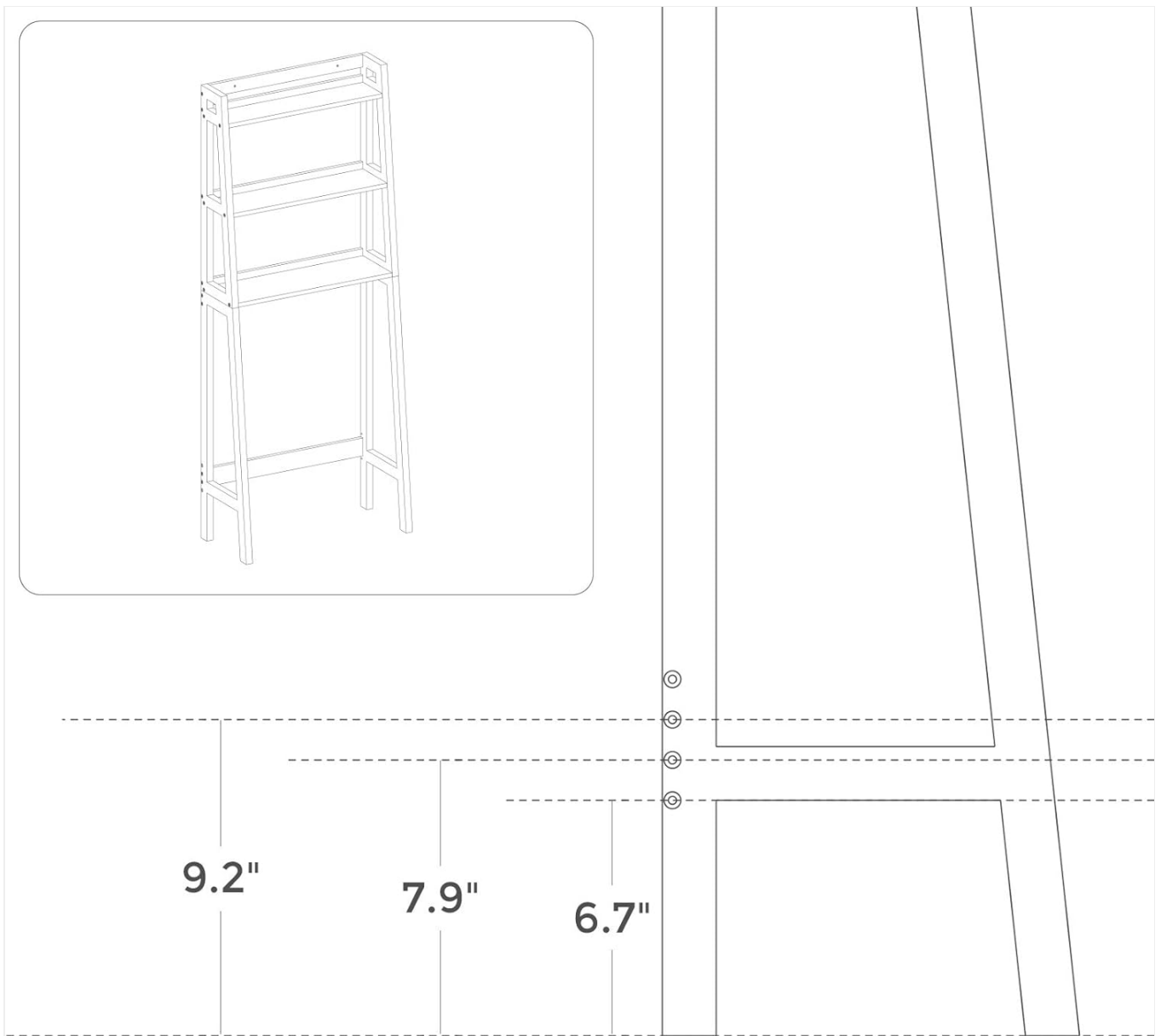


Image: Diagram showing the adjustable bottom bar for toilet clearance.

5. **Position the Unit:** Carefully place the assembled unit over your toilet.
6. **Secure to Wall (Anti-Tip Kit):** This is a critical safety step. Using the provided anti-tip kit, secure the top of the unit to the wall. Mark the drilling points, drill pilot holes, insert anchors, and attach the strap or bracket to both the unit and the wall.

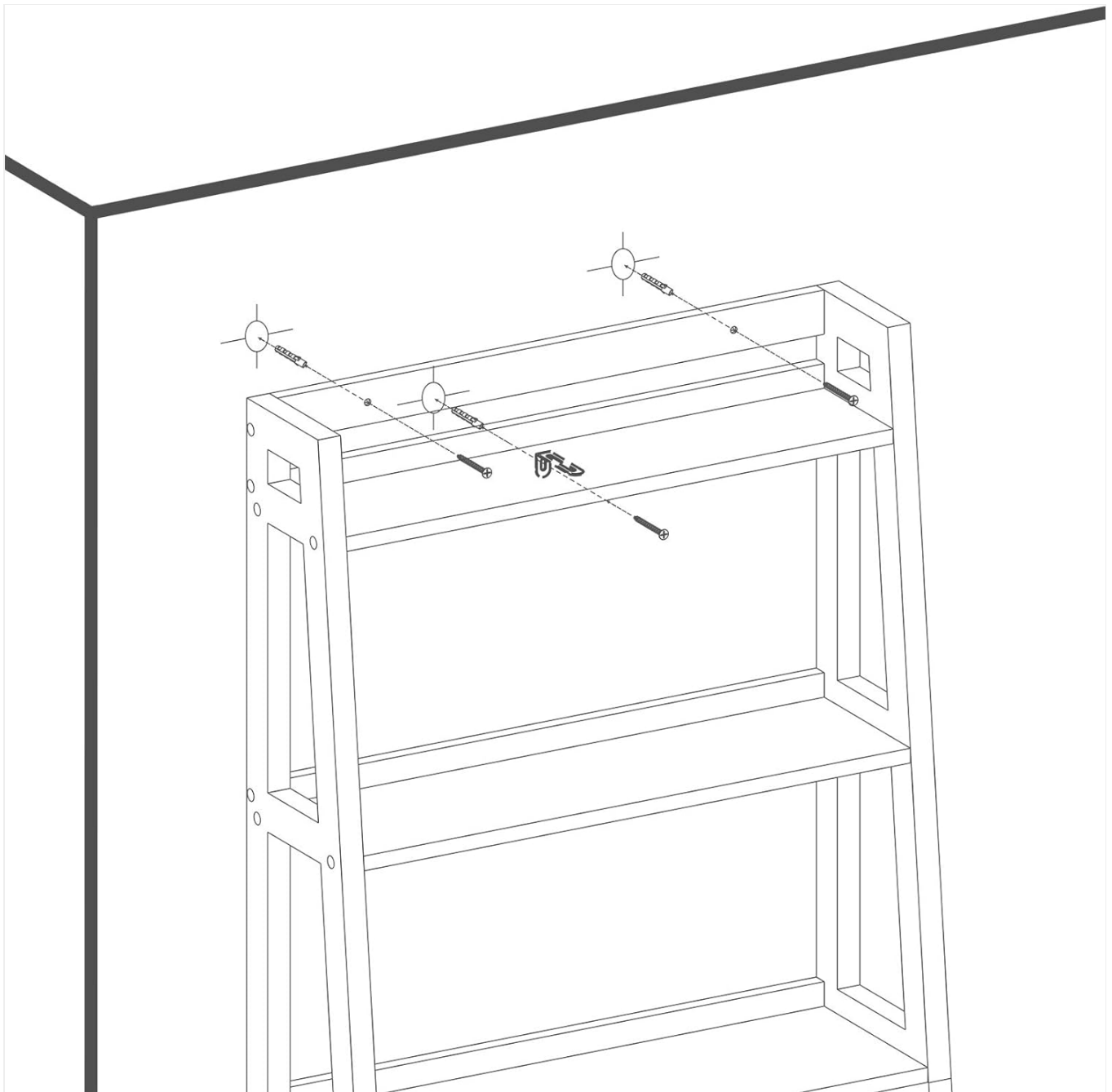


Image: Diagram for securing the unit to the wall using the anti-tip kit.

## OPERATING INSTRUCTIONS

The VASAGLE Space Saver Unit provides three tiers of open shelving for organizing various bathroom items. Place items on the shelves, ensuring weight is distributed evenly and the maximum load capacity is not exceeded. The open design allows for easy access to frequently used items.

## MAINTENANCE

To maintain the appearance and longevity of your unit:

- **Cleaning:** Wipe with a dry cloth. Avoid abrasive cleaners or harsh chemicals that may damage the finish.
- **Environment:** Keep the product in a dry, non-humid area. Prolonged exposure to excessive moisture can affect the MDF material.
- **Fasteners:** Periodically check all screws and fasteners to ensure they remain tight. Retighten if necessary.

## TROUBLESHOOTING

---

- **Unit Wobbles:**

- Ensure all assembly screws are fully tightened.
- Verify the unit is placed on a level surface.
- Confirm the anti-tip kit is correctly installed and securely fastened to the wall. This is crucial for stability.

- **Does Not Fit Over Toilet:**

- Check the adjustment of the bottom bar. The unit features an adjustable bottom bar designed to clear most toilet pipes. Refer to the assembly instructions for adjustment.
- Measure your toilet's dimensions and compare them to the unit's clearance specifications (see Specifications section).

- **Missing Parts:**

- Carefully re-check all packaging materials. Small parts can sometimes be overlooked.
- Contact customer support (if available) with your product model number and a description of the missing part.

## SPECIFICATIONS

---

### Product Dimensions and Details

<b>Model Number:</b>	UBBC11BR
<b>Brand:</b>	VASAGLE
<b>Material:</b>	Medium Density Fiberboard (MDF)
<b>Color:</b>	Brown
<b>Product Dimensions (D x W x H):</b>	12.2" x 25.6" x 65" (65 x 31 x 165 cm)
<b>Number of Shelves:</b>	3
<b>Max. Load Capacity:</b>	33.1 lb (15 kg)
<b>Mounting Type:</b>	Wall Mount (with included anti-tip kit)
<b>Special Feature:</b>	Adjustable Bottom Bar, Durable



Image: Detailed dimensions of the storage unit.

## WARRANTY AND SUPPORT

Specific warranty details and direct customer support contact information are not provided in the source data. For warranty claims or technical assistance, please refer to the retailer's return policy or contact the seller directly through your purchase platform.

